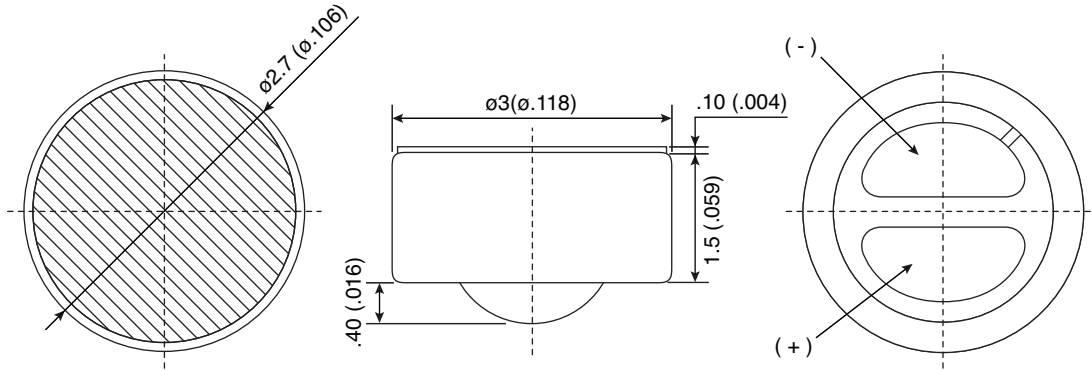


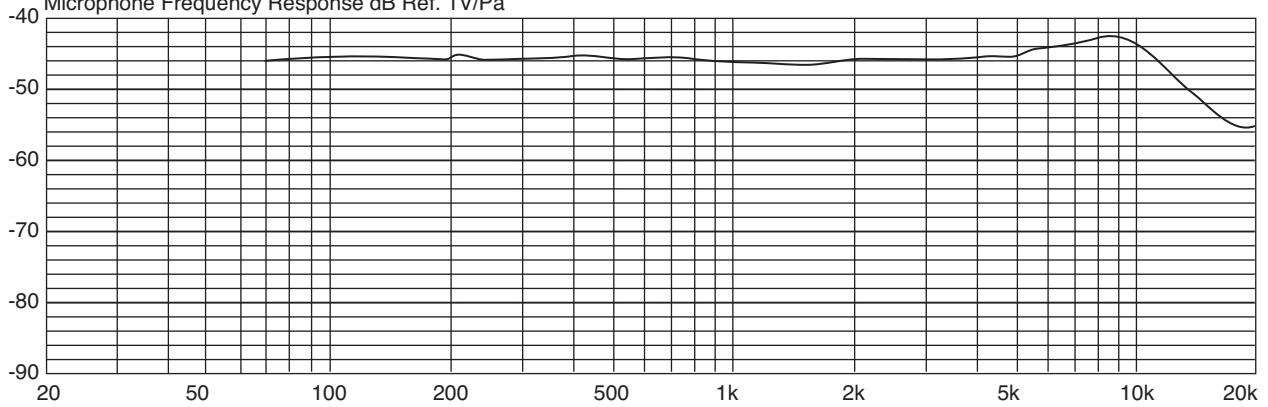
Part Number:

254-ECM36-RO



Frequency Response Curve

Microphone Frequency Response dB Ref. 1V/Pa



Microphone

KT-400330

Electrical Specifications:

- Sensitivity: -46±3dB (0dB=1V/Pa,1KHz)
- Output Impedance: 2.2KΩ (Max)
- Frequency Range: 70-20KHz
- Standard Operating Voltage: 2.0V
- Current Consumption: 0.5mA (Max)
- S/N Ratio: >58dB

Mechanical Specifications:

- Operating Temperature: -20°C to + 60°C
- Storage Temperature: -30°C to +70°C

Note:

- RoHS Compliant

Mouser Electronics

Authorized Distributor

Click to View Pricing, Inventory, Delivery & Lifecycle Information:

[Kobitone:](#)

[254-ECM36-RO](#)