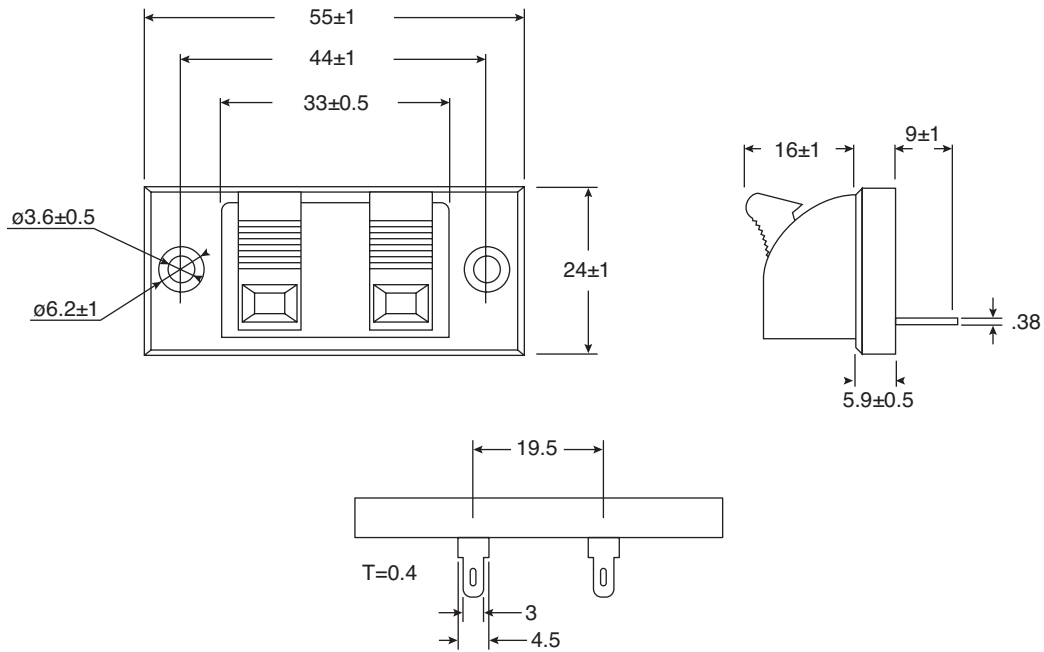


Compression Terminal

151-R225-E



Compression Terminal



Dimensions: mm

SPECIFICATIONS	
Rating:	10A 125VAC
Recommended Wire AWG:	#22, Dia. 0.643mm
Insulation Resistance:	DC 500V 100M Ω Min.
Dielectric Voltage:	AC 1000V 1 Min.
RoHS Compliant	

Date Last Revised: 07-19-11

Available from Mouser Electronics
1-800-346-6873 / www.mouser.com

KC-301250

151-R225-E

Mouser Electronics

Authorized Distributor

Click to View Pricing, Inventory, Delivery & Lifecycle Information:

[Kobiconn:](#)

[151-R225-E](#)