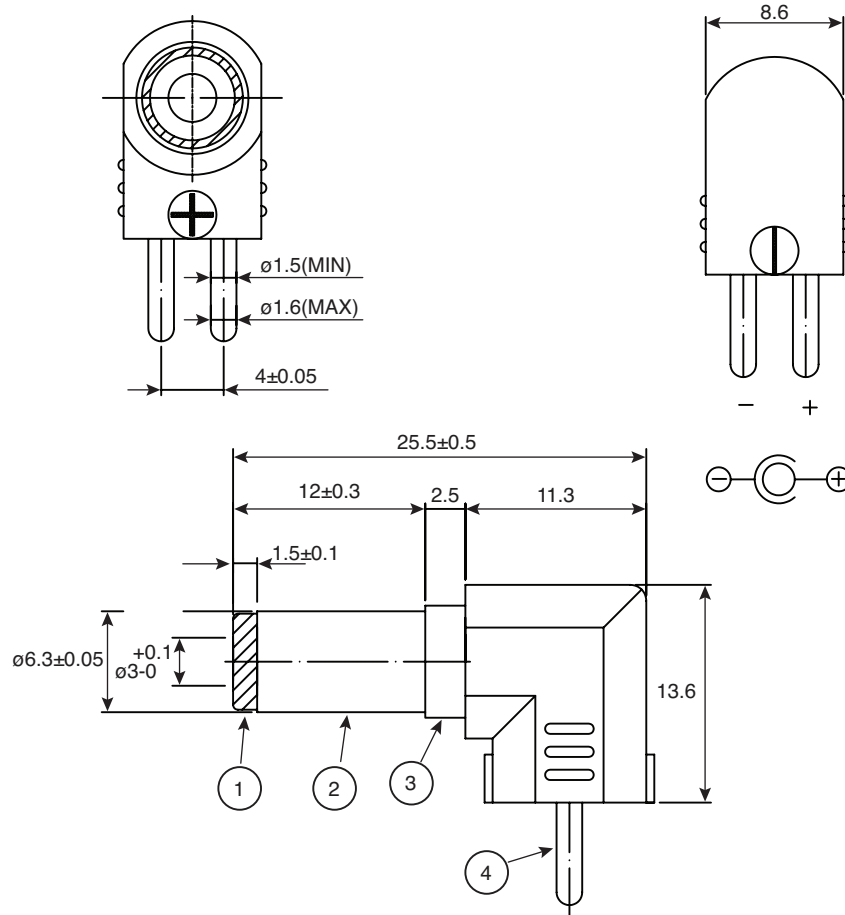


# Right Angle DC Plug

173-6330TIP-EX



Right Angle DC Plug



DIMENSIONS: mm

No.	Material	Plating
1	ABS Yellow Green	---
2	Brass	Nickel
3	ABS Black	---
4	Brass	Nickel

RoHS Compliant by Exemption

Date Last Revised: 7/9/12

Available from Mouser Electronics  
1-800-346-6873 / [www.mouser.com](http://www.mouser.com)

KC-301421

Specifications are subject to change without notice. No liability or warranty implied by this information. Environmental compliance based on producer documentation.

173-6330TIP-EX

# Mouser Electronics

Authorized Distributor

Click to View Pricing, Inventory, Delivery & Lifecycle Information:

[Kobiconn:](#)

[173-6330TIP-EX](#)