

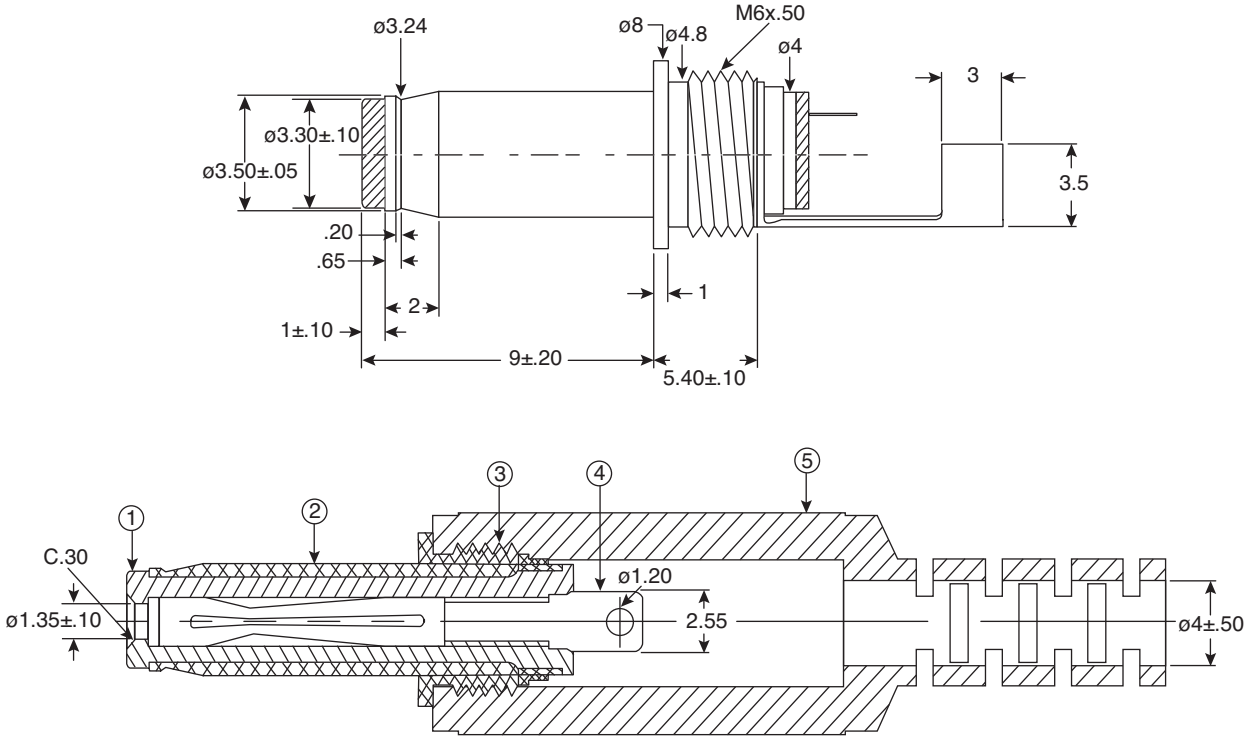
DC Power Plug

171-PA35135-E



DC Power Plug

171-PA35135-E



Dimensions: mm

MATERIAL SPECIFICATIONS	
1	POM Black
2	Brass Nickel
3	Brass Nickel
4	P-Bronze Nickel
5	PVC Black
6	Brass Nickel
RoHS Compliant	

Date Last Revised: 10-23-08

Available from Mouser Electronics
 1-800-346-6873 / www.mouser.com

KC-301325

Specifications are subject to change without notice. No liability or warranty implied by this information. Environmental compliance based on producer documentation.

Mouser Electronics

Authorized Distributor

Click to View Pricing, Inventory, Delivery & Lifecycle Information:

[Kobiconn:](#)

[171-PA35135-E](#)