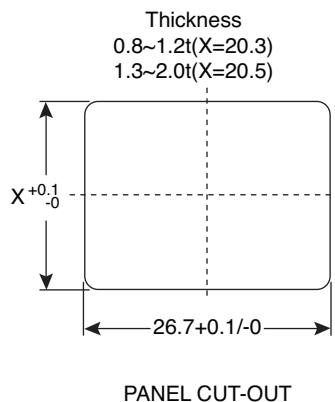
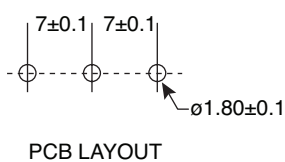
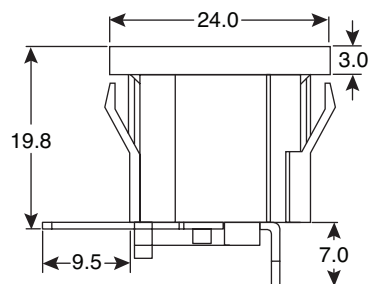
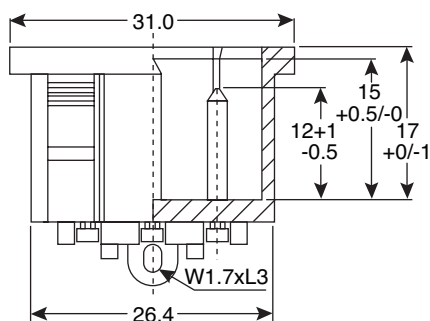
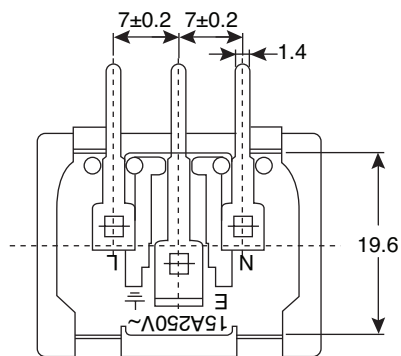
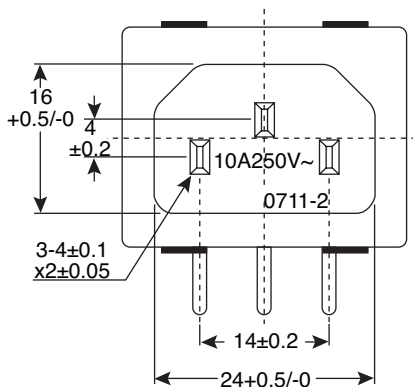


AC Inlet

161-0711-2-E



AC Inlet



DIMENSIONS: mm

ELECTRICAL SPECIFICATIONS	
Rating:	10A 250V~
Insulation resistance:	100MΩ min. @ 500VDC
Electric strength:	AC 2,000V for one minute
RoHS Compliant	

MATERIAL SPECIFICATIONS	
Housing:	Nylon 66
Terminal:	Copper alloy, tin plated

Date Last Revised: 12-19-06

Available from Mouser Electronics
1-800-346-6873
www.mouser.com

KC-301085

161-0711-2-E

Mouser Electronics

Authorized Distributor

Click to View Pricing, Inventory, Delivery & Lifecycle Information:

[Kobiconn:](#)

[161-0711-2-E](#)