

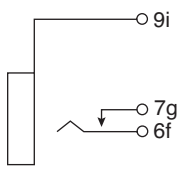
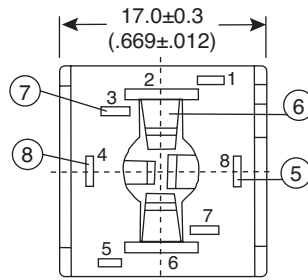
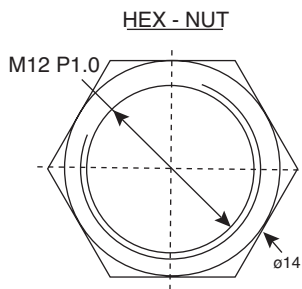
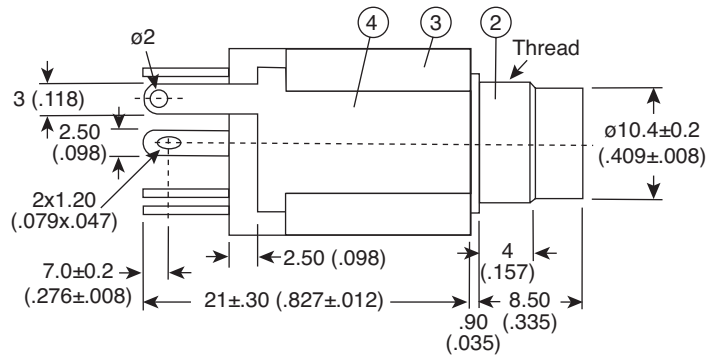
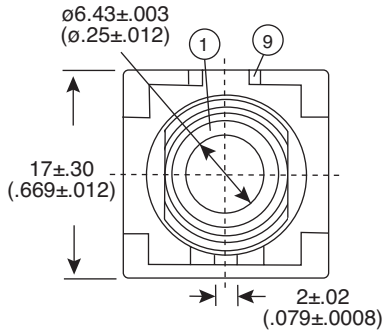
# 1/4" Headphone Jack

161-0085-E, 161-0086-E, 161-0087-E

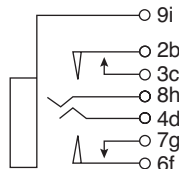


1/4" Headphone Jack

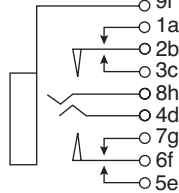
## DIMENSIONS: mm (In.)



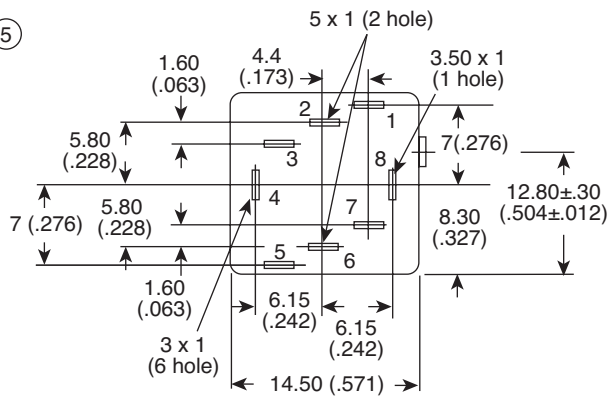
161-0085-E



161-0086-E



161-0087-E



P.C.B. LAYOUT

No.	Name	Qty.	Material
1.	Bushing	1	0.7 mic/inch Brass, NI Plated
2.	Plastic Bushing	1	Duracon, Black
3.	Housing	1	P.B.T, Black
4.	Earth Terminal	1	0.6t Fe
5.	Ring Terminal	1	0.35t Phosphor Bronze
6.	Transfer Terminal	2	0.35t Phospher Bronze
7.	Brake Terminal	2	0.35t Brass
8.	Tip Terminal	1	0.35t Phosphor Bronze
9.	Insulator	1	1.0± Red Paper

Date Last Revised: 8-23-06

SPECIFICATIONS	
<b>Rated Jack:</b>	12VDC 1A
<b>Rated Switch:</b>	6VDC 1A
<b>Temperature Range:</b>	-25°C ~ +70°C
<b>Dielectric Strength:</b>	500VAC for 1 minute
<b>Insulation Resistance:</b>	500VDC ≥ 100MΩ
<b>Contact Resistance:</b>	≤ 50 mΩ
<b>Insertion Force:</b>	0.3kgf~3.0kgf
<b>Withdraw Force:</b>	0.3kgf~3.0kgf
<b>Life Test:</b>	5,000 Cycles
<b>Temperature of Solder:</b>	260 ± 5°C
<b>Dip Time:</b>	5±1 Seconds
<b>Mating/Uncoupling Rating:</b>	15,000 Cycles
RoHS Compliant	

161-0085-E, 161-0086-E, 161-0087-E

Available from Mouser Electronics  
1-800-346-6873  
www.mouser.com

KC-301052

# Mouser Electronics

Authorized Distributor

Click to View Pricing, Inventory, Delivery & Lifecycle Information:

[Kobiconn:](#)

[161-0085-E](#) [161-0086-E](#) [161-0087-E](#)