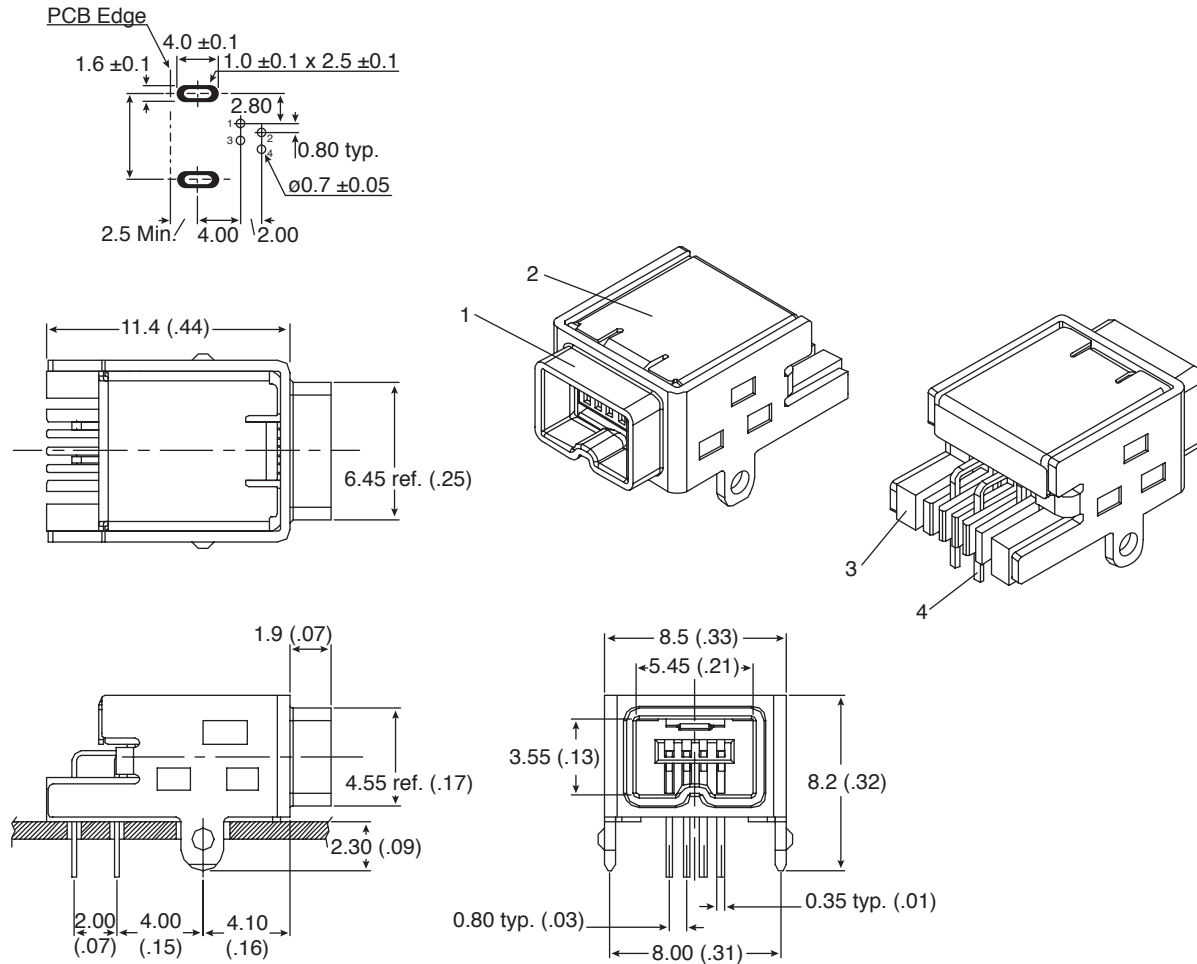


IEEE 1394 Firewire, 4 Pin Receptacle



154-AVR20-E

IEEE 1394 Firewire, 4 Pin Receptacle



Dimensions: mm (In.)

Mechanical Specifications	
Contact:	Copper alloy / plated gold in mating area; tin-lead on tails
Housing:	(PBT) thermoplastic, glass filled, 130°C (PA-6T) high temperature thermoplastic
Spring:	Stainless
Shell:	Steel / tin-lead plated over copper
Contact plating:	Select plated gold 30μ
RoHS Compliant	

Date Last Revised: 7-12-06

Available from Mouser Electronics
1-800-346-6873
www.mouser.com

KC-301010

154-AVR20-E

Mouser Electronics

Authorized Distributor

Click to View Pricing, Inventory, Delivery & Lifecycle Information:

[Kobiconn:](#)

[154-AVR20-E](#)