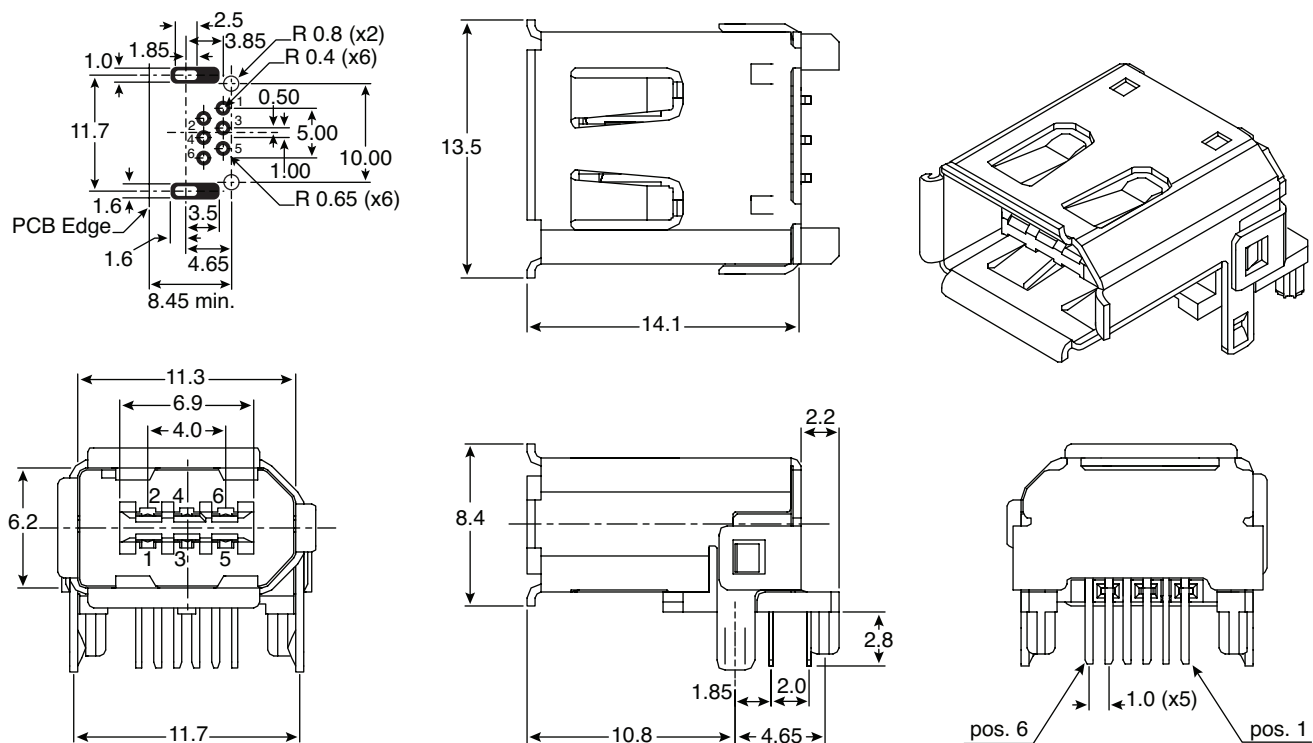


IEEE 1394 Firewire, 6 Pin Receptacle Right Angle Thru-hole

154-FWR20-E



IEEE 1394 Firewire, 6 Pin Receptacle Right Angle Thru-hole



Dimensions: mm (In.)

Electrical Specifications

Contact Resistance:	30 Milliohms max.
Dielectric w/standing Voltage:	500 VAC
Insulator Resistance:	100 Megaohms min.
Current Rating:	1.0 Ampere max.

Mechanical Specifications

Mating Force:	39.2 Newtons max.
Unmating Force:	9.8 Newtons min.
Durability:	1500 Cycles
Temperature Range:	+15°C to +85°C

SPECIFICATIONS

Part Name	Item	Qty.	Material
Contacts Type2:	4	3	Copper Alloy/Plated gold in contact area; tin-lead on tails
Contacts Type1:	3	3	Copper Alloy/Plated in contact area; tin-lead on tails. Plating thickness: 5-30 μ " Au", 9-30 μ " Au" lead free
Housing:	2	1	Thermoplastic, Glass filled, 130°C
Shell:	1	1	Copper Alloy/ Tin-Lead Plated over Nickel

RoHS Compliant

Date Last Revised: 7-12-06

Available from Mouser Electronics
1-800-346-6873
www.mouser.com

KC-301000

154-FWR20-E

Mouser Electronics

Authorized Distributor

Click to View Pricing, Inventory, Delivery & Lifecycle Information:

[Kobiconn:](#)

[154-FWR20-E](#)