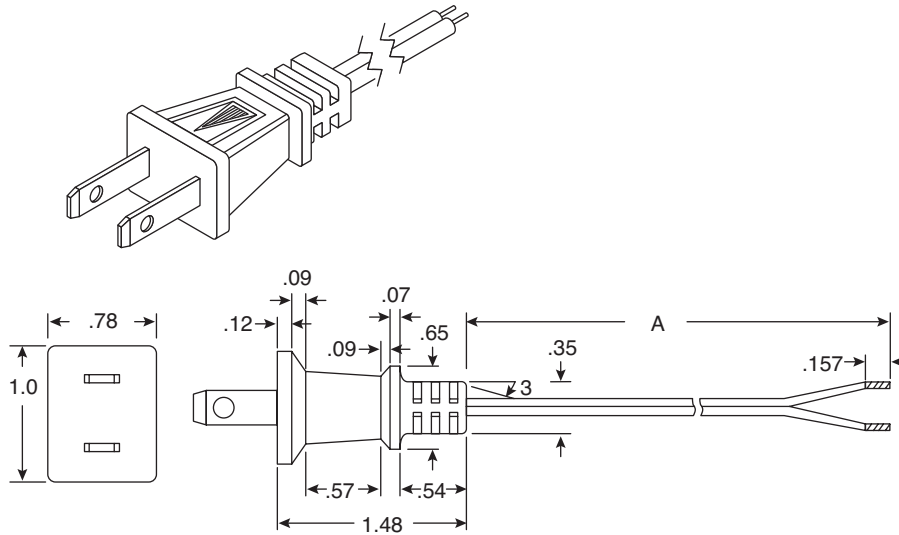


AC Power Cords

173-11102-E, 173-11121-E, 173-11123-E,
173-11124-E, 173-11125-E, 173-31102-E, 173-31103-E



AC Power Cords 173-11102-E, 173-11121-E, 173-11123-E, 173-11124-E, 173-11125-E, 173-31102-E, 173-31103-E



Dimensions: in.

SPECIFICATIONS	
Cable:	18 AWG (34/41), 2 Conductor, One Conductor Polarity Ribbed
Stranding:	41 x 34, Bare Copper
Insulation:	Coded PVC
Rated:	10A/125V, 1250W
Plug:	NEMA 1-15P, No Polarized Blade
RoHS Compliant	

MOUSER STOCK NO.	Type	Approx. O.D. of Cable (ø)	Color	Length (A)
173-11102-E	SPT-1	.106 x .213	Black	72
173-11121-E	SPT-1	.106 x .213	Black	120
173-11123-E	SPT-1	.106 x .213	Brown	72
173-11124-E	SPT-1	.106 x .213	Brown	120
173-11125-E	SPT-1	.106 x .213	Black	180
173-31102-E	SPT-2	.134 x .268	Black	72
173-31103-E	SPT-2	.134 x .268	Black	120

Date Last Revised: 07-16-07

Available from Mouser Electronics
1-800-346-6873 / www.mouser.com

KC-300970

Specifications are subject to change without notice. No liability or warranty implied by this information. Environmental compliance based on producer documentation.

Mouser Electronics

Authorized Distributor

Click to View Pricing, Inventory, Delivery & Lifecycle Information:

[Kobiconn:](#)

[173-11102-E](#) [173-11121-E](#) [173-11123-E](#) [173-11124-E](#) [173-11125-E](#) [173-31102-E](#) [173-31103-E](#)