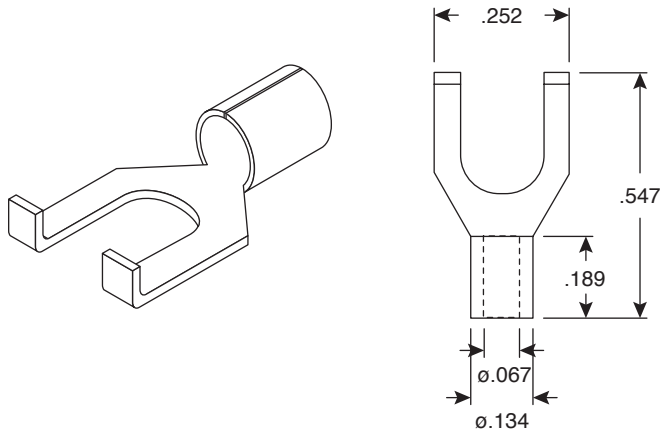


Flange Spade Terminal

159-2244A



Flange Spade Terminal



Dimensions: In.

SPECIFICATIONS	
Type:	non-insulated flange spade
Acceptable wire size:	22~16AWG
Current rating:	19A
Voltage rating:	600V @ 75°C
Terminal material:	copper
Terminal thickness:	.030"
Stud size:	#6

Date Last Revised: 6-23-05

Available from Mouser Electronics
1-800-346-6873
www.mouser.com

KC-300714

159-2244A

Mouser Electronics

Authorized Distributor

Click to View Pricing, Inventory, Delivery & Lifecycle Information:

[Kobiconn:](#)

[159-2244A](#)