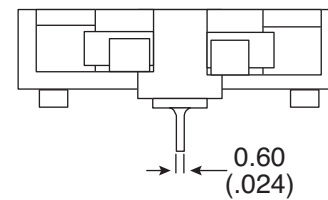
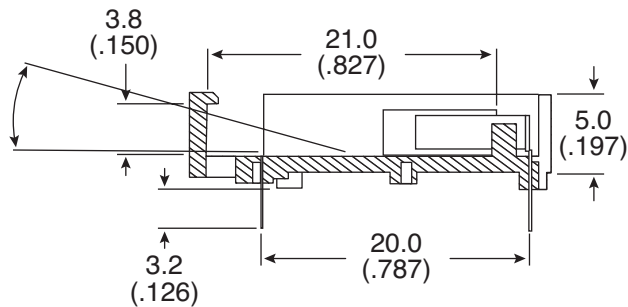


RECOMMENDED PC BOARD LAYOUT



Dimensions: mm (in.)

MATERIALS	
Housing:	PBT
Contact:	phosphor bronze
Plating:	Tin/Lead 90/10 100µ" min., Over Ni 50µ" min.
RoHS Compliant	

Mouser Electronics

Authorized Distributor

Click to View Pricing, Inventory, Delivery & Lifecycle Information:

[Eagle Plastic Devices:](#)

[122-2620-GR](#)