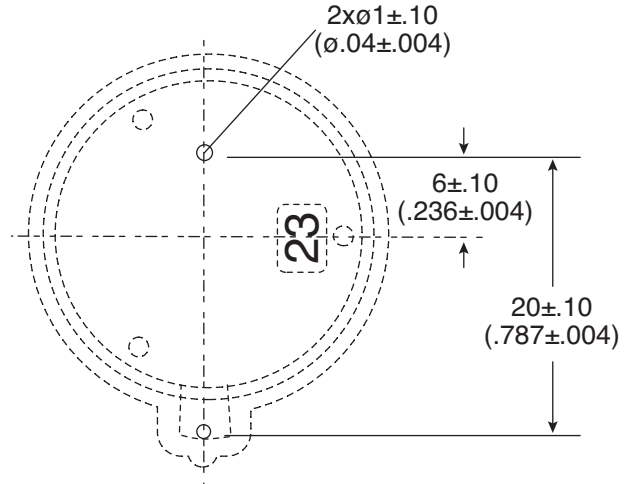
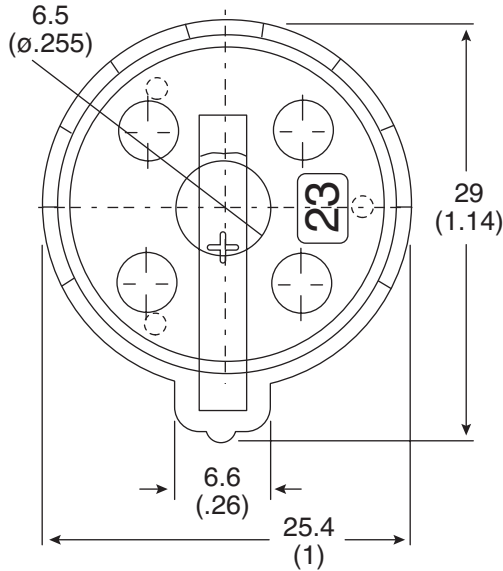
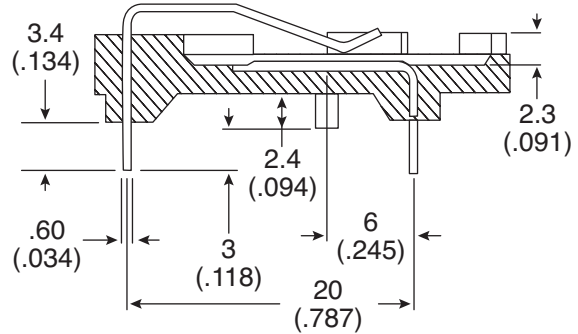
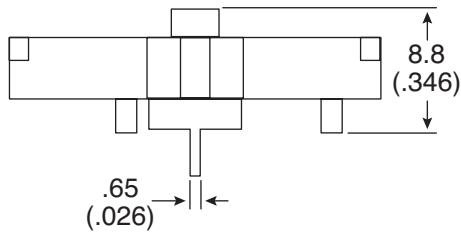


Date Last Revised: 04-03-12



Recommended PCB Layout
Component Side



Dimensions: mm (in.)

SPECIFICATIONS

Housing:	PBT 30% GF
Contact:	Phosphor bronze
Plating:	Tin 100 μ ", Ni 80 μ "
RoHS Compliant	

Available from Mouser Electronics
1-800-346-6873 / www.mouser.com

EPD-200407

Mouser Electronics

Authorized Distributor

Click to View Pricing, Inventory, Delivery & Lifecycle Information:

[Eagle Plastic Devices:](#)

[122-2523-GR](#)