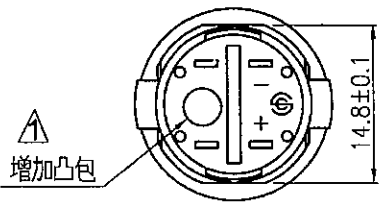
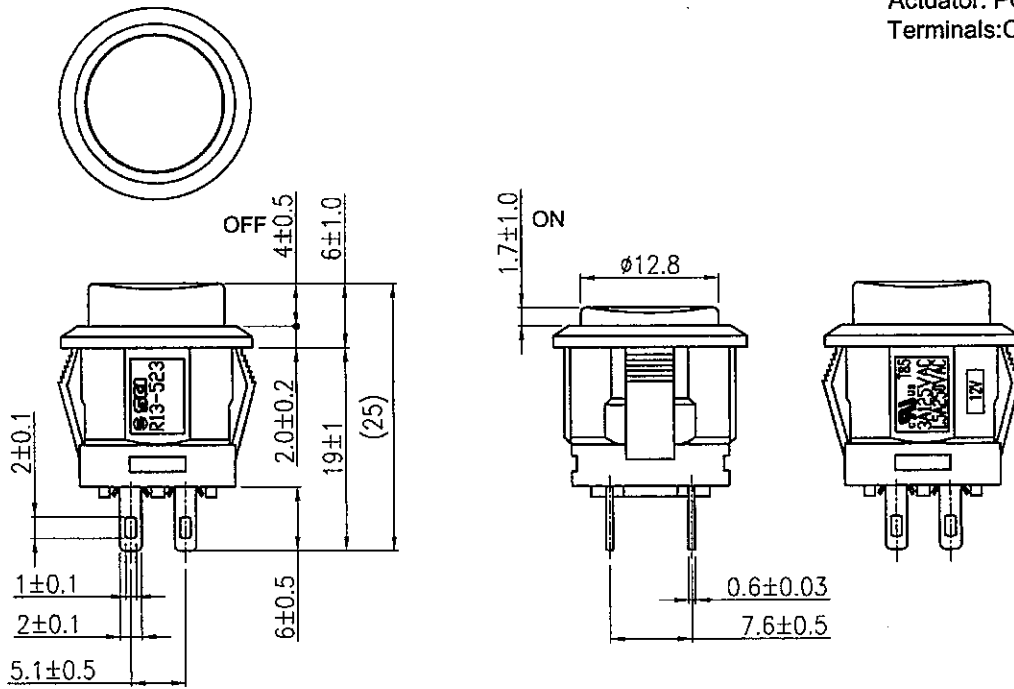


Rating	3A 125V AC 1.5A 250V AC		Mounting Hole	Circuit Diagram
Contact Resistance	50m ohm Max.			OFF
Insulation Resistance	DC 500V 100M ohm Min.			ON
Dielectric Strength	AC 1500V 1 minute			
Operation Temperature	-20°C~85°C			
Switch Function	4P SPST OFF-ON(LED)			

Material:  
 Frame: Nylon#66, Black  
 Actuator: PC  
 Terminals: Copper Alloy



1830438	Green	Green
1830445	Transparent Red	Red
1830444	Transparent Yellow	Yellow
SCI BOM NO.	Actuator Color	LED Color

Tolerances ±0.3 Unless Otherwise Specified

09/12/12	柳新強	增加SCI LOGO				
09/14/07	李日紅	R13-523-9黑底座尺寸變更增加凸包				
Date	Name	Description			No.	
Drawn	Checked	Approved	SCI BOM No.	See The Table	Model Name	PUSH SWITCH
柳新強			Customer No.		Model No.	R13-523BL-05
09/12/12	9/12-'12	9/12-'12	Unit	mm	Shin Chin Industrial Co., Ltd.	
						Rev. 1

# Mouser Electronics

Authorized Distributor

Click to View Pricing, Inventory, Delivery & Lifecycle Information:

[Shin Chin:](#)

[R13-523BL-05-BGG-L1](#)