
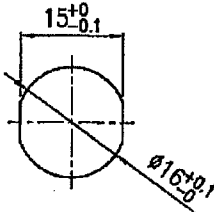
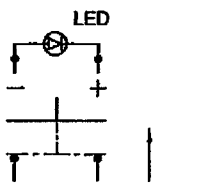
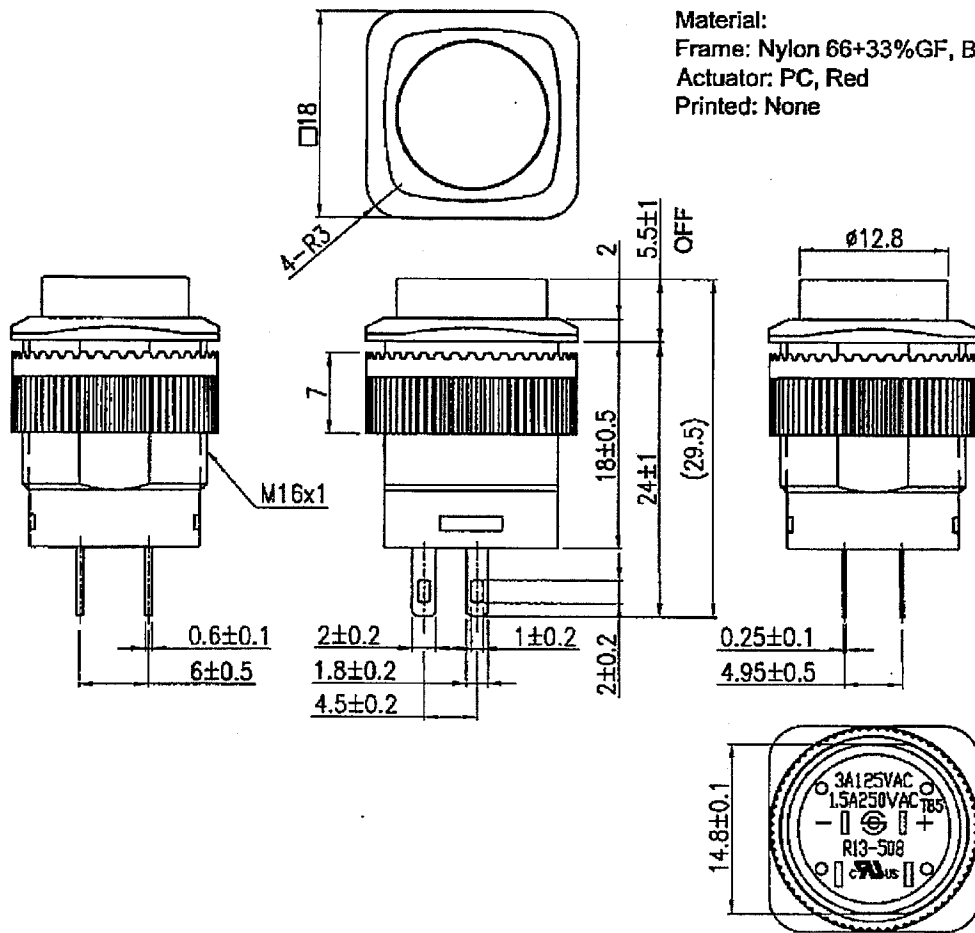
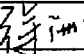
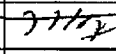


Rating	3A 125V, 1.5A 250V AC 		
Contact Resistance	50m ohm Max		
Insulation Resistance	DC 500V 100M ohm Min		
Dielectric Strength	AC 1500V 1 minute		
Operation Temperature	-20°C~85°C		
Switch Function	4P SPST OFF-(ON)(LED)		



Tolerances ±0.3 Unless Otherwise Specified

07/26/11	雷云飛	Update the drawing layout					△
Date	Name	Description					No.
Drawn	Checked	Approved	SCI BOM No.	Model Name	PUSH SWITCH		
雷云飛			Customer No.	Model No.	R13-508AL-05	Rev.	
07/26/11	8/12-11	8/12-11	Unit	mm	Shin Chin Industrial Co., Ltd.		1

同規格 R13-11

Mouser Electronics

Authorized Distributor

Click to View Pricing, Inventory, Delivery & Lifecycle Information:

[Shin Chin:](#)

[R13-508AL-05-BRR-L3](#)