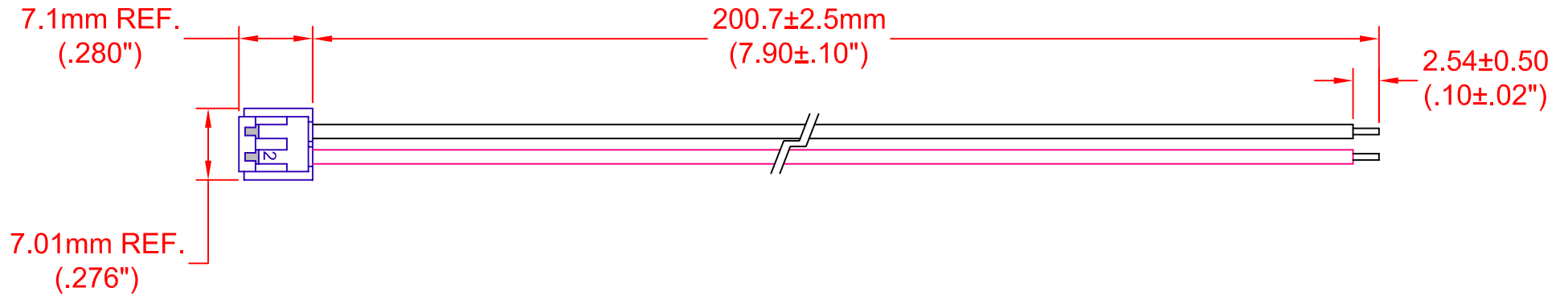


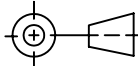
REV.	DESCRIPTION/ECO NO.	DATE
	RELEASE & CANCEL PL-0711-01	1/23/08
<b>A</b>	ADD REV. NOTE	1/31/08
<b>B</b>	CHNG. NOTE REF. NO.	8/6/08



PIN	WIRE TYPE	AWG	COLOR
1	UL 1007	24	BLACK
2	UL 1007	24	RED

JKL PART NO.: ZCH-200-I

USED WITH JKL ZRS-8480 LED LIGHT BARS

<b>METRIC</b>  THIRD ANGLE PROJECTION	DIMENSIONS ARE IN mm (INCHES)	<b>JKL COMPONENTS CORPORATION</b> TITLE <b>INPUT CONNECTOR HARNESS</b>			
	TOLERANCE UNLESS OTHERWISE SPECIFIED 1 PL +/- REF. 2 PL +/- REF. ANGLE +/- 0				
DRAWN BY L. WENGSTROM	APPV'D BY L.R.	DATE 8/6/08	SIZE <b>A</b>	FSCM NO. <b>55335</b>	DRAWING NO. <b>ZCH-200-I</b>
- CAD DRAWING - MANUAL REVISIONS NOT PERMITTED			SCALE NONE	RELEASED DATE 1/23/08	REVISION DATE 8/6/08
				REV. NO. <b>B</b>	SHEET 1 OF 1

# Mouser Electronics

Authorized Distributor

Click to View Pricing, Inventory, Delivery & Lifecycle Information:

[JKL Components:](#)

[ZCH-200-I](#)