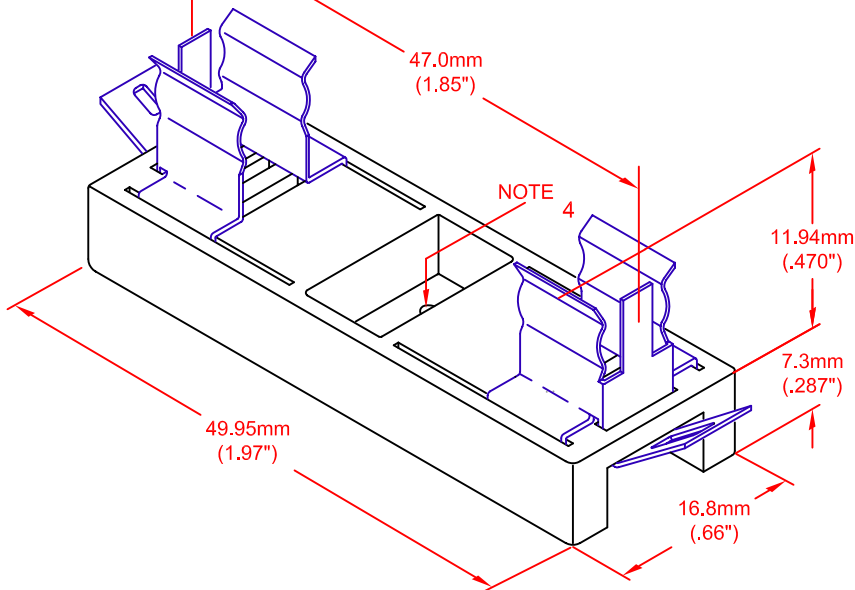


JKL PART NO.: 2910F-42



JKL PART NO.: 2910F-47

NOTES:

1. TAB SIZE REFERENCE DIMENSIONS: .244" wide X .30" deep X .016 thick.
KEYSTONE P/N 4470 QUICK-FIT SOCKET MAY BE USED FOR CONTACT.
2. LAMP SIZES FOR EACH HOLDER:
-42 HOLDER CAN HOLD LAMPS FROM 30mm TO 40mm LONG
-47 HOLDER CAN HOLD LAMPS FROM 37mm TO 44mm LONG
3. MINIMUM CONTACT DIAMETER .30"
4. LOCATION OF MOUNTING HOLE. HOLE DIA. : Ø3.5mm REF.
5. BODY MATERIAL: DUPONT FR50
MAX. WITHSTAND TEMPERATURE 130C
MAX. INTERMITTENT TEMPERATURE 180C
MAX. WATTAGE: -42 10W
 -47 18W

E CHANGE NOTE 2		3/9/10	<p>THIRD ANGLE PROJECTION</p>	<p>METRIC</p> <p>DIMENSIONS ARE IN MILLIMETERS</p> <p>TOLERANCE UNLESS OTHERWISE SPECIFIED</p> <p>1 PL +/- REF.</p> <p>2 PL +/- REF.</p> <p>ANGLE +/- 0</p>	<p>JKL COMPONENTS CORPORATION</p> <p>TITLE: FESTOON HOLDER</p>					
D	ADDED NOTES	8/7/08								
C	CORR. MATERIAL DESCRIPTION	11/13/07	DRAWN BY	APPVD BY	DATE	SIZE	FSCM NO.	DRAWING NO.	TITLE	
B	ADD NOTES	8/18/06	L. WENGSTROM	L. R.	3/9/10	A	55335	2910F	FESTOON HOLDER	
A	ADD PART NO. 2910F-47	6/30/06	<p>- CAD DRAWING -</p> <p>MANUAL REVISIONS NOT PERMITTED</p>			SCALE	RELEASED DATE	REVISION DATE	REV. NO.	SHEET
	RELEASED	6/12/06				NONE	6/12/06	3/9/10	E	1 OF 1

Mouser Electronics

Authorized Distributor

Click to View Pricing, Inventory, Delivery & Lifecycle Information:

[JKL Components:](#)

[2910F-47](#)