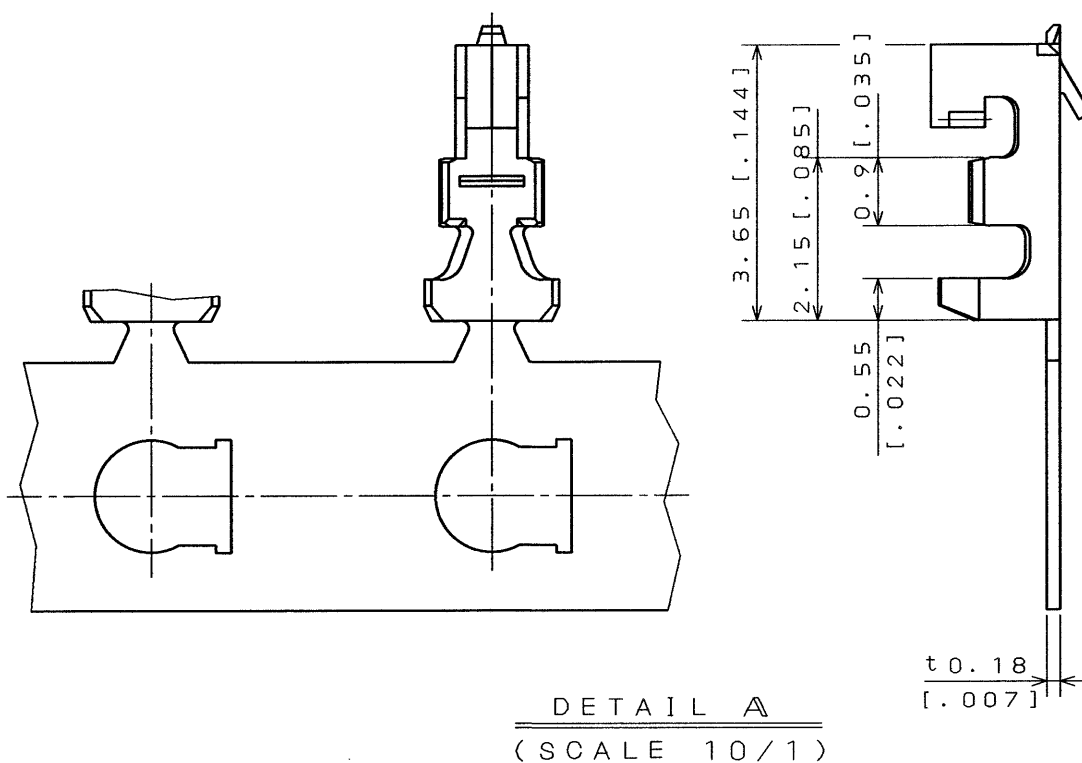
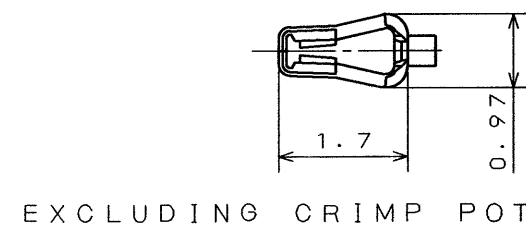
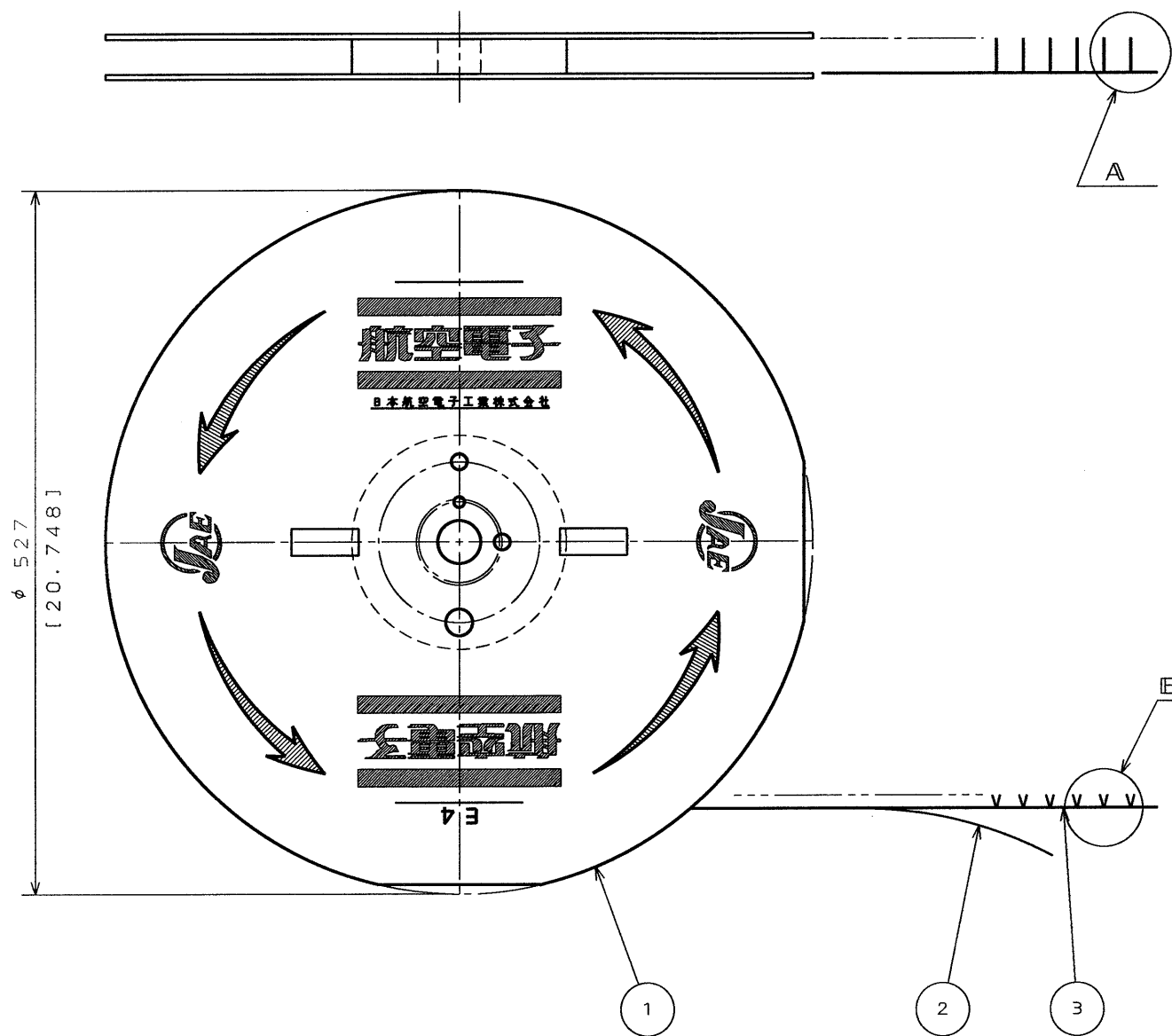


SJ025487-E

DWG. NO.

SYM.	DCN NO.	DESCRIPTION	DATE	DRAWN	CHECKED	APP'D	APP'D



NOTE 1. APPLICABLE WIRE : AWG#28~#32, STRANDED.  
 APPLICABLE WIRE INSULATION OUTER DIA: 0.5 [0.020] ~ 1.0 [0.039] mm.

2. APPLICABLE CRIMPING MACHINE FOR THIS  
 MAGAZINE ASS'Y IS CT350-2-ILZ.

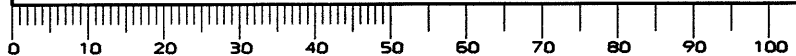
ITEM	DESCRIPTION	Q'TY	MATERIAL	FINISH	REMARKS
3	SOCKET CONTACT	15000	PHOSPHOR BRONZE	GOLD OVER KICKEL	Au: 0.1 μm MIN
2	PAPER TEPE	1	PAPER		
1	MAGAGINE	1	PAPER		

REFERENCE DOCUMENT	DATE 3 Jun. '94	SCALE 1:1	WT.	QTY
MATERIAL	DRAWN H. SAKURADA	TITLE IL-Z-C3-A-1 -15000 (MAGAGINE ASSEMBLY)		
TREATMENT	CHECKED IGARASHI	SERIES IL-Z		
FINISH	APP'D <i>[Signature]</i>	MUSASHINO, AKISHIMA-SHI TOKYO, JAPAN		
DWG. NO. SJ025487-E		JAE-CONNECTOR.COM Reference JAE		

DIMENSIONS ARE IN MILLIMETERS  
 TOLERANCES ON: (INCHES)

DIMENSION	ANGLES	CONCENTRICITY
. ±0.01 (0.12)	X° ±	WITHIN T.I.R.
.X ±0.01 (0.08)	X°X' ±	
.XX ±0.11 (0.04)		
.XXX ±		

DCF-115A



CDS-90-52207  
SIZE A3

# Mouser Electronics

Authorized Distributor

Click to View Pricing, Inventory, Delivery & Lifecycle Information:

[JAE Electronics:](#)

[IL-Z-C3-A-1-15000](#)