

Board Level Cooling – Hat Section 5070



BOARD LEVEL COOLING – Hat Section 5070

Hat Section 5070 is a series of hat channel board level heat sinks designed to cool TO-220 devices. Representative image only.

ORDERING INFORMATION

Part Number	Device Type
506902B00000G	TO-220
507002B00000G	TO-220
507002B05300G	TO-220
507102B00000G	TO-220
507222B00000G	TO-220
507222B05300G	TO-220



HEAT SINK DETAILS

Property	Details
Material	Aluminum
Finish	Black Anodize
Device Attachment Options	Requires Mounting Kit
Thermal Interface Material	-
Heat Sink Mounting Direction	Horizontal, Vertical

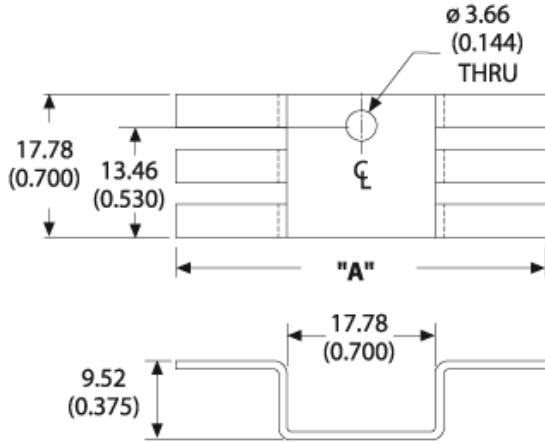
MECHANICAL & PERFORMANCE

Drawing dimensions are shown in mm, (in)

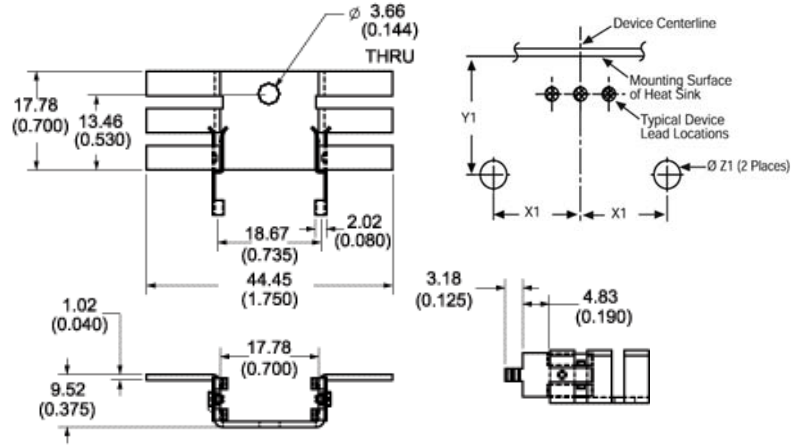
Part Number	Heat Sink Height	Heat Sink Width	Heat Sink Length	"A" Dim	"X" Dim	"Y" Dim	"Z" Dim
506902B00000G	17.78	31.75	9.52	31.75	-	-	-
507002B00000G	17.78	44.45	9.52	44.45	-	-	-
507002B05300G	17.78	44.45	9.52	44.45	9.35 (0.368)	4.06 (0.160)	2.90 (0.114)
507102B00000G	17.78	44.45	12.70	44.45	-	-	-
507222B00000G	37.34	44.45	9.52	44.45	-	-	-
507222B05300G	37.34	44.45	9.52	44.45	9.35 (0.368)	4.06 (0.160)	2.90 (0.114)

Board Level Cooling – Hat Section 5070

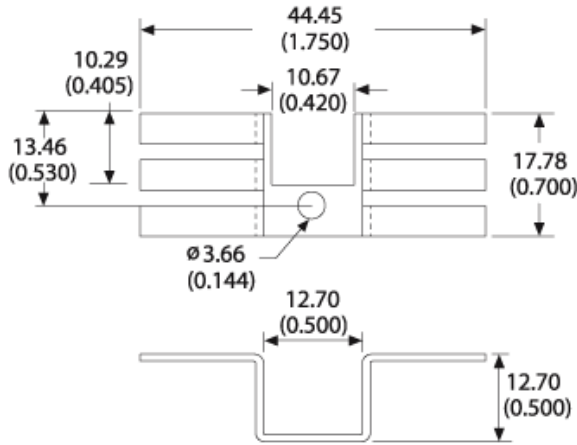
Part Number: 506902B00000G, 507002B00000G



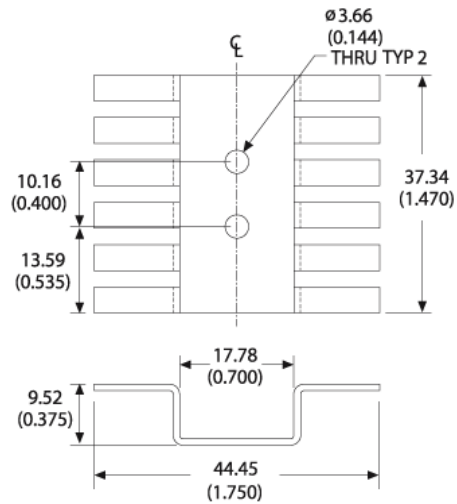
Part Number: 507002B05300G



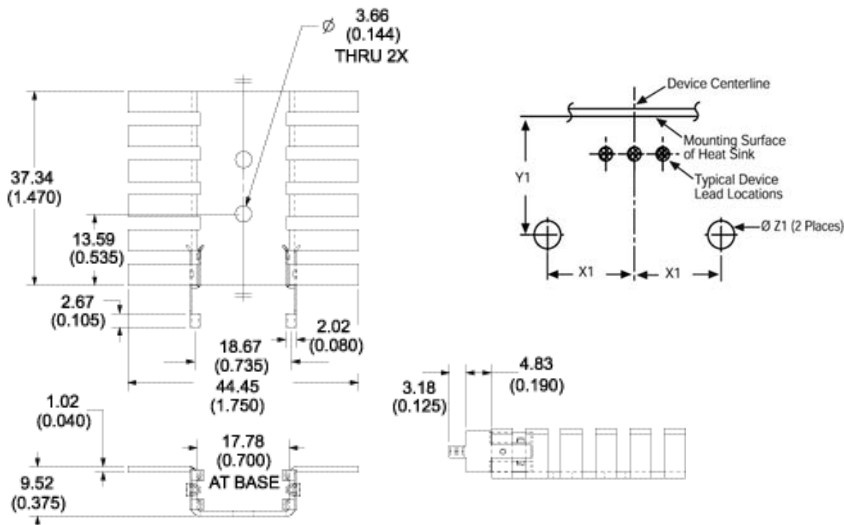
Part Number: 507102B00000G



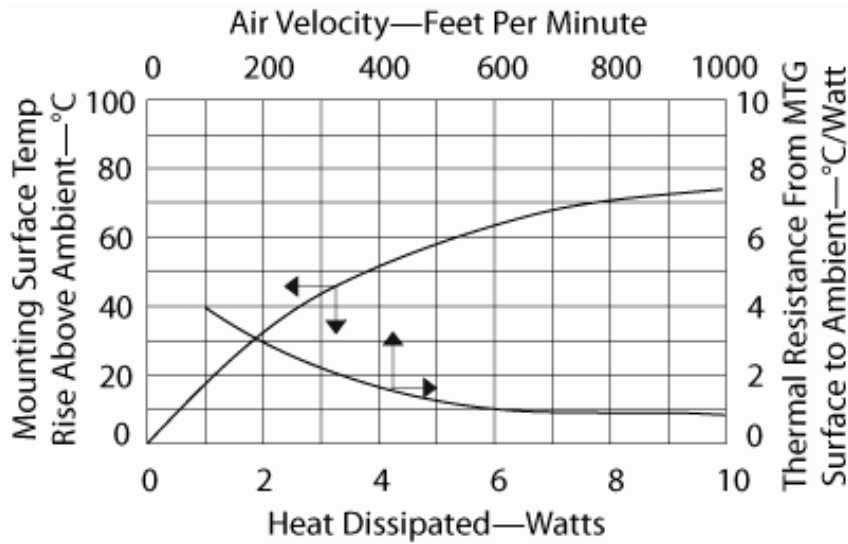
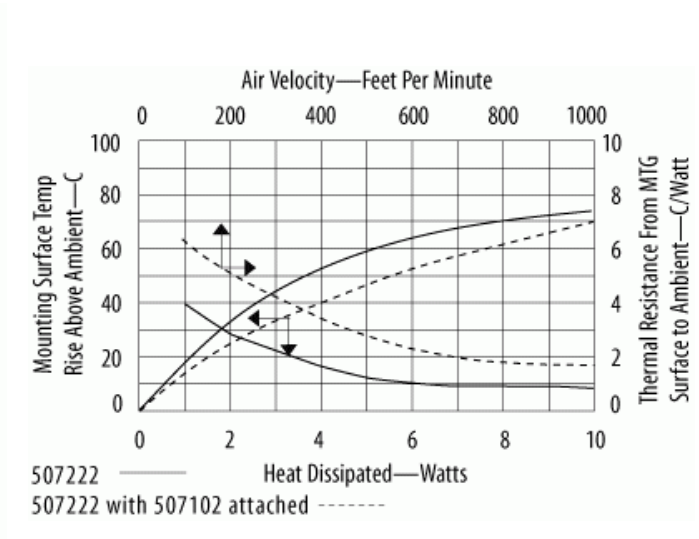
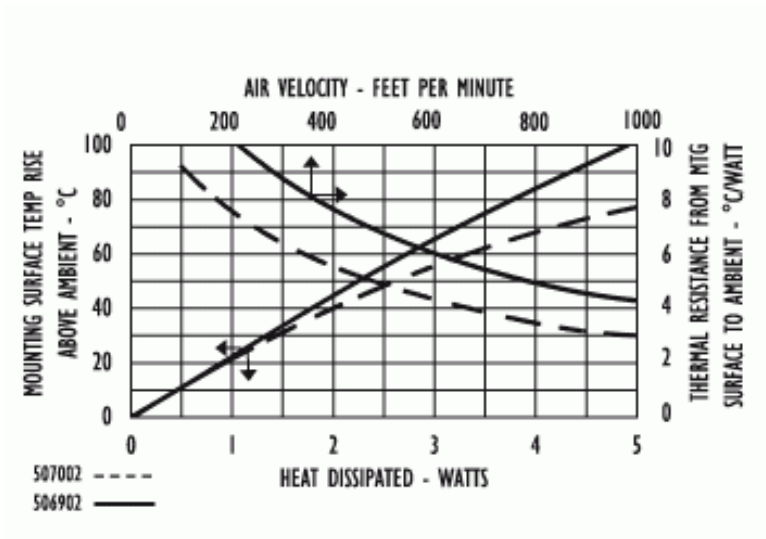
Part Number: 507222B00000G



Part Number: 507222B05300G



Board Level Cooling – Hat Section 5070



Mouser Electronics

Authorized Distributor

Click to View Pricing, Inventory, Delivery & Lifecycle Information:

[Aavid:](#)

[507002B00000G](#) [507222B05300G](#) [507222B00000G](#) [507102B00000G](#) [506902B00000G](#) [507002B05300G](#)
[506902B00000](#) [507222B05300](#) [507222B30000](#)