



## Attachments & Accessories – MAX08NG

Aavid Max Clips are a quick, robust attachment method that saves on labor and hardware costs while increasing performance and design flexibility. Max Clips eliminate the need for mounting holes, rivets and screws and apply consistent pressure at the center of the device improving contact with the heatsink and device for better thermal performance. Max Clips are available in standard lengths and are designed to fit most applications. There are also short and long clip options which will allow the device to be mounted higher or lower on the heatsink if needed. Representative image only.



## ORDERING INFORMATION

Part Number	Device Type
MAX08NG	TO-218, TO-247

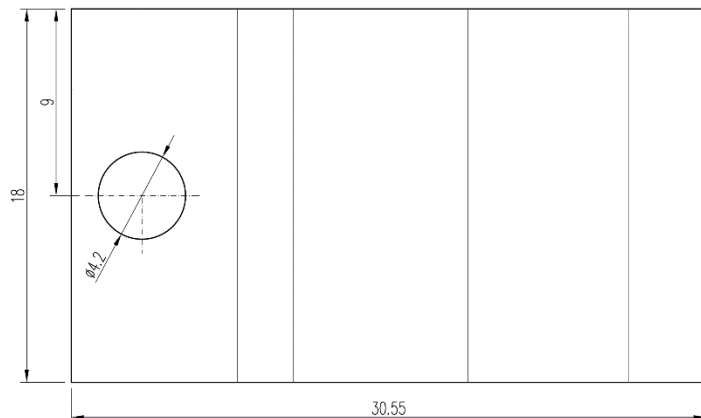
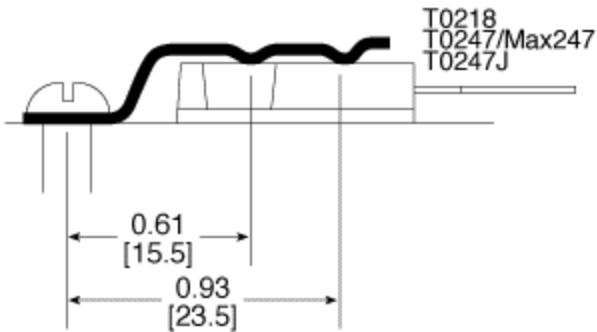
## HEAT SINK DETAILS

Property	Details
Material	Spring Steel
Finish	Nickel Plated
Device	TO-218, TO-247

Property	Details
Clip Width (mm)	18.00
Clip Length (mm)	30.60
Clip Height (mm)	5.90

## MECHANICAL & PERFORMANCE

Drawing dimensions are shown in mm, (in)



# Mouser Electronics

Authorized Distributor

Click to View Pricing, Inventory, Delivery & Lifecycle Information:

[Aavid:](#)

[MAX08NG](#)