

**BOARD LEVEL COOLING – Slide On 5801**

Slide On 5801 is a slide on board level heat sink designed to cool DIP devices. Representative image only.



**ORDERING INFORMATION**

Part Number	Device Type
580100B00000G	DIP

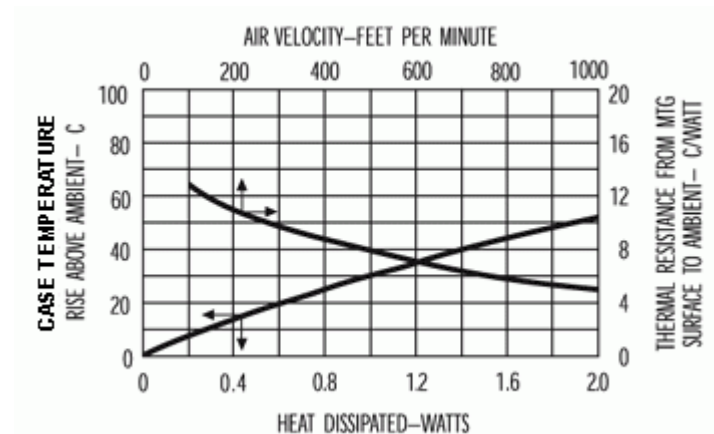
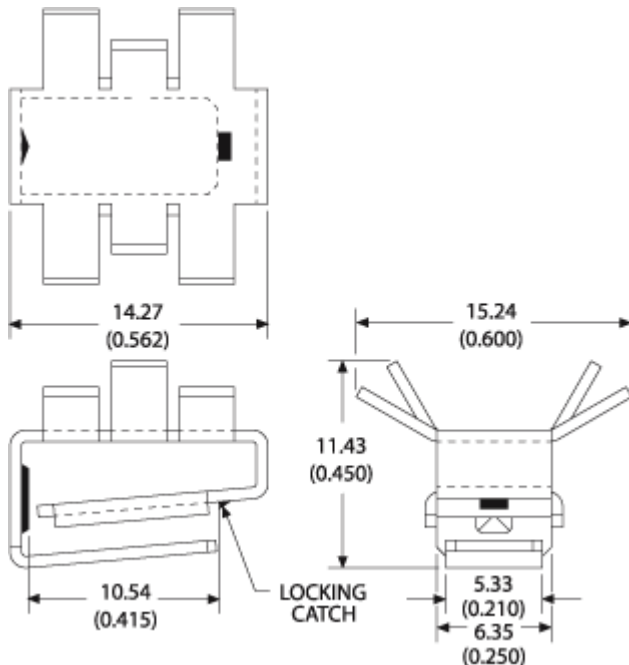
**HEAT SINK DETAILS**

Property	Details
Material	Aluminum
Finish	Black Anodize
Device Attachment Options	Slide On
Thermal Interface Material	-

Property	Details
Heat Sink Width (mm)	15.24
Heat Sink Length (mm)	14.27
Heat Sink Height (mm)	11.43
Heat Sink Mounting Direction	Horizontal

**MECHANICAL & PERFORMANCE**

Drawing dimensions are shown in mm, (in)



# Mouser Electronics

Authorized Distributor

Click to View Pricing, Inventory, Delivery & Lifecycle Information:

Aavid:

[580100B00000G](#)