

# Board Level Cooling – Hat Section 6236



## BOARD LEVEL COOLING - Hat Section 6236

Hat Section 6236 is a hat channel board level heat sink designed to cool TO-220 and TO-220-single gauge devices. Representative image only.



## ORDERING INFORMATION

Part Number	Device Type
6237BG	TO-220, TO-220-single gauge

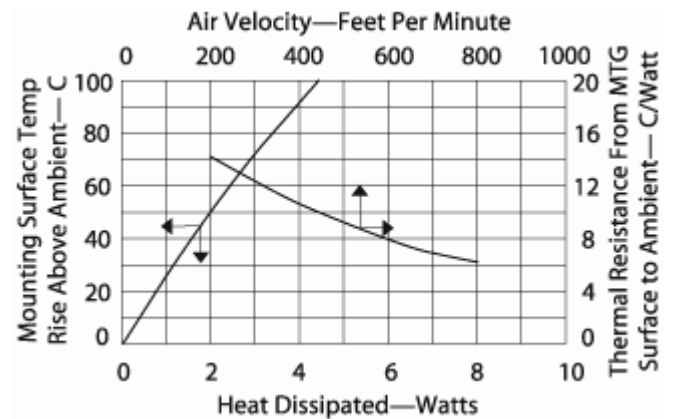
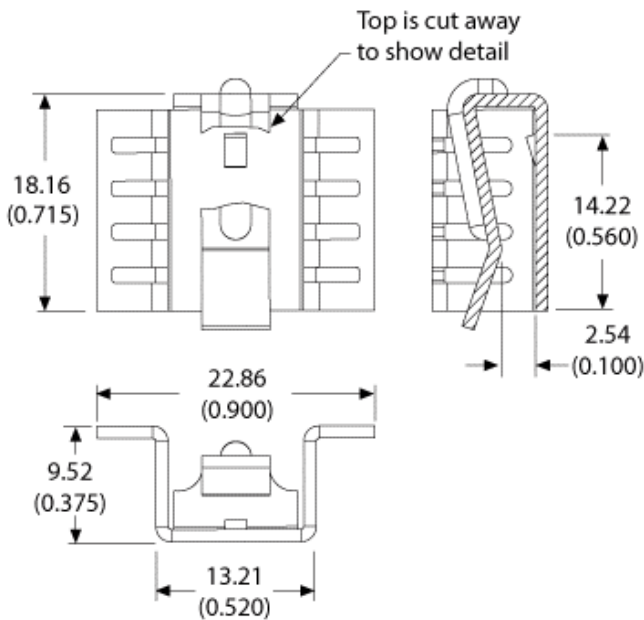
## HEAT SINK DETAILS

Property	Details
Material	Aluminum
Finish	Black Anodize
Device Attachment Options	Integrated Mounting Clip
Thermal Interface Material	-

Property	Details
Heat Sink Width (mm)	22.86
Heat Sink Length (mm)	9.52
Heat Sink Height (mm)	18.16
Heat Sink Mounting Direction	Vertical

## MECHANICAL & PERFORMANCE

Drawing dimensions are shown in mm, (in)



# Mouser Electronics

Authorized Distributor

Click to View Pricing, Inventory, Delivery & Lifecycle Information:

[Aavid:](#)

[6237BG](#)