



BOARD LEVEL COOLING - Channel 5700

Channel 5700 is a series of channel board level heat sinks designed to cool TO-202 devices. Representative image only.

ORDERING INFORMATION

| Part Number | Device Type |
|---------------|-------------|
| 576904B00000G | TO-202 |
| 577304B00000G | TO-202 |
| 577404B00000G | TO-202 |



HEAT SINK DETAILS

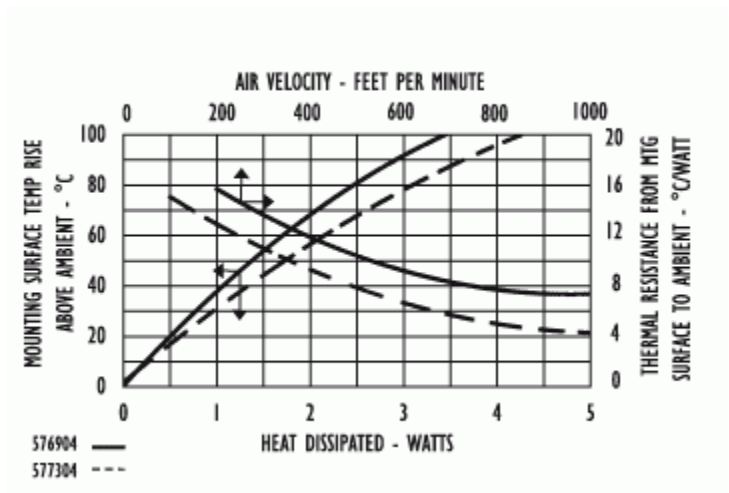
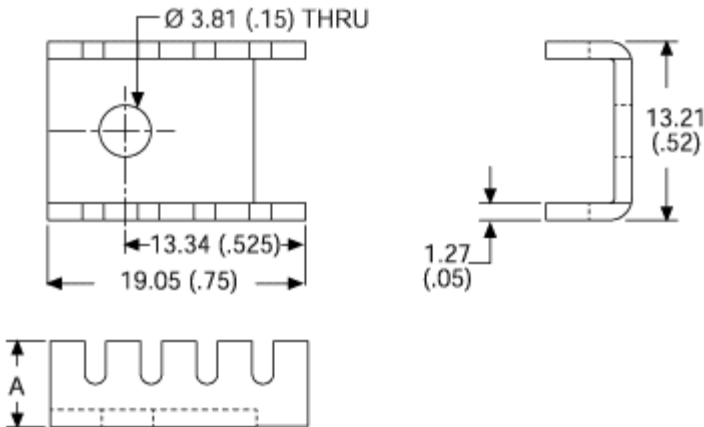
| Property | Details |
|----------------------------|-----------------------|
| Material | Aluminum |
| Finish | Black Anodize |
| Device Attachment Options | Requires Mounting Kit |
| Thermal Interface Material | - |

| Property | Details |
|------------------------------|----------------------|
| Heat Sink Width (mm) | 13.21 |
| Heat Sink Length (mm) | See "A" Dim below |
| Heat Sink Height (mm) | 19.05 |
| Heat Sink Mounting Direction | Horizontal, Vertical |

MECHANICAL & PERFORMANCE

Drawing dimensions are shown in mm, (in)

| Part Number | "A Dim" |
|---------------|---------|
| 576904B00000G | 6.35 |
| 577304B00000G | 9.53 |
| 577404B00000G | 12.7 |



Mouser Electronics

Authorized Distributor

Click to View Pricing, Inventory, Delivery & Lifecycle Information:

[Aavid:](#)

[577002B00000G](#) [577102B04000G](#) [577002B04000G](#) [577202B04000G](#) [577202B00000G](#) [577404B00000G](#)
[577102B00000G](#) [577304B00000G](#) [576904B00000G](#)