

IS31SE5001

IR SENSOR FOR TOUCHLESS PROXIMITY

July 2013

GENERAL DESCRIPTION

The IS31SE5001 is a low-power, reflectance-based infrared light sensor with advanced signal processing and digital output. The sensor can detect making touchless motion possible.

The IS31SE5001 uses one infrared LED and an internal receiver which pick up the reflectance signal to perform touchless motion detection. When proximity motion happens, the flag bit in status register will be triggered and an interrupt signal is generated to inform the master to read the flag bit through I2C interface.

IS31SE5001 is available in QFN-8 (2mm × 2mm). It operates from 2.7V to 5.5V over the temperature range of -40°C to +85°C.

FEATURES

- Supply voltage from 2.7V~5.5V
- 400kHz I2C compatible interface
- 1μA shutdown current
- 0.6mA low supply current
- Detection range can be adjusted
- Integrated signal processing and digital output
- Auto interrupt clear
- Package in QFN-8 (2mm × 2mm)

APPLICATIONS

- Smart phones/GPS/MID/PAD/MP3
- Lighting/switch controller/ household electrical appliances
- Toys/game machine

TYPICAL APPLICATION CIRCUIT

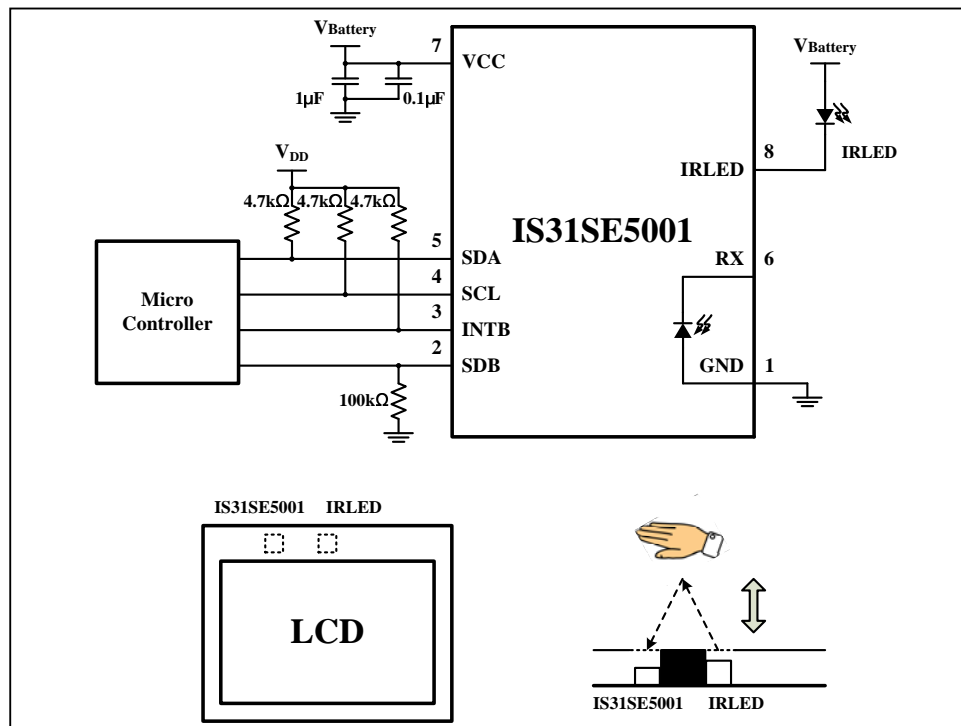
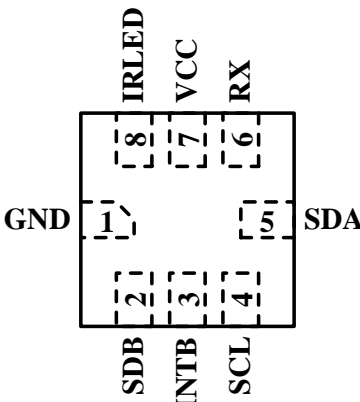
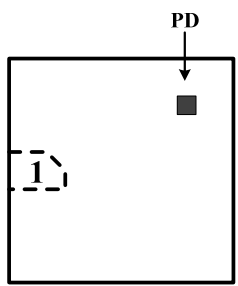
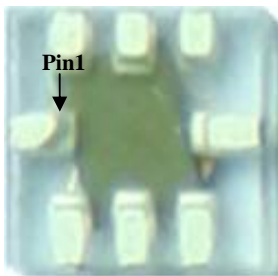
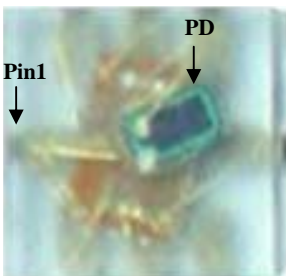


Figure 1 Typical Application Circuit

IS31SE5001

PIN CONFIGURATION

| Package | Pin Configuration (Top View) | Scenograph (Top View) |
|----------------|--|---|
| QFN-8 |  |  |
| | Bottom View | Top View |
| Actual Picture |  |  |

PIN DESCRIPTION

| No. | Pin | Description |
|-----|-------|--|
| 1 | GND | Ground. |
| 2 | SDB | Shutdown pin, low active. |
| 3 | INTB | Interrupt signal, pulled down to inform master to read data. |
| 4 | SCL | The input for the I2C clock signal. |
| 5 | SDA | The input for the I2C data signal. |
| 6 | RX | Input signal of infrared LED receiver. |
| 7 | VCC | Power supply. |
| 8 | IRLED | IRLED emitting pin. Connect to IRLED. |



IS31SE5001

ORDERING INFORMATION

Industrial Range: -40°C to +85°C

| Order Part No. | Package | QTY/Reel |
|---------------------|------------------|----------|
| IS31SE5001-QFLS2-TR | QFN-8, Lead-free | 3000 |

Copyright © 2013 Integrated Silicon Solution, Inc. All rights reserved. ISSI reserves the right to make changes to this specification and its products at any time without notice. ISSI assumes no liability arising out of the application or use of any information, products or services described herein. Customers are advised to obtain the latest version of this device specification before relying on any published information and before placing orders for products. Integrated Silicon Solution, Inc. does not recommend the use of any of its products in life support applications where the failure or malfunction of the product can reasonably be expected to cause failure of the life support system or to significantly affect its safety or effectiveness. Products are not authorized for use in such applications unless Integrated Silicon Solution, Inc. receives written assurance to its satisfaction, that:

- a.) the risk of injury or damage has been minimized;
- b.) the user assume all such risks; and
- c.) potential liability of Integrated Silicon Solution, Inc is adequately protected under the circumstances

IS31SE5001

ABSOLUTE MAXIMUM RATINGS

| | |
|--------------------------------------|-----------------------|
| Supply voltage, V_{CC} | -0.3V ~ +6.0V |
| Voltage at any input pin | -0.3V ~ $V_{CC}+0.3V$ |
| Operating temperature range, T_A | -40°C ~ +85°C |
| Storage temperature range, T_{STG} | -40°C ~ +85°C |

Note:

Stresses beyond those listed under “Absolute Maximum Ratings” may cause permanent damage to the device. These are stress ratings only and functional operation of the device at these or any other condition beyond those indicated in the operational sections of the specifications is not implied. Exposure to absolute maximum rating conditions for extended periods may affect device reliability.

ELECTRICAL CHARACTERISTICS

$T_A = 25^\circ\text{C}$, $V_{CC} = 2.7V \sim 5.5V$, unless otherwise noted. Typical value are $T_A = +25^\circ\text{C}$, $V_{CC} = 3.6V$.

| Symbol | Parameter | Condition | Min. | Typ. | Max. | Unit |
|-----------|-----------------------------|---------------------------|------|------|------|---------------|
| V_{CC} | Supply voltage | | 2.7 | | 5.5 | V |
| I_{CC} | Quiescent current | $V_{SDB} = V_{CC}$ | | 0.6 | | mA |
| I_{SD} | Shutdown current | $V_{SDB} = 0V$ | | 1 | 3 | μA |
| I_{IR} | Average current of IRLLED | $V_{LED} = 3.6V$ (Note 1) | | 0.8 | | mA |
| I_P | Peak current of IRLLED | EC = “0001” (Note 1,2) | | 400 | | mA |
| V_{INT} | INTB pin output voltage low | $I_{OL} = 4mA$ | | | 0.2 | V |
| L | Maximum detect distance | EC = “0001” (Note 3) | | 15 | | cm |
| V_{IH} | Input logic high voltage | $V_{CC} = 2.7V$ | | | 0.4 | V |
| V_{IL} | Input logic low voltage | $V_{CC} = 5.5V$ | 1.4 | | | V |

DIGITAL INPUT SWITCHING CHARACTERISTICS (Note 1)

| Symbol | Parameter | Condition | Min. | Typ. | Max. | Unit |
|---------------|--|-----------|------|----------|------|---------------|
| f_{SCL} | Serial-Clock frequency | | | | 400 | kHz |
| t_{BUF} | Bus free time between a STOP and a START condition | | 1.3 | | | μs |
| $t_{HD, STA}$ | Hold time (repeated) START condition | | 0.6 | | | μs |
| $t_{SU, STA}$ | Repeated START condition setup time | | 0.6 | | | μs |
| $t_{SU, STO}$ | STOP condition setup time | | 0.6 | | | μs |
| $t_{HD, DAT}$ | Data hold time | | | | 0.9 | μs |
| $t_{SU, DAT}$ | Data setup time | | 100 | | | ns |
| t_{LOW} | SCL clock low period | | 1.3 | | | μs |
| t_{HIGH} | SCL clock high period | | 0.7 | | | μs |
| t_R | Rise time of both SDA and SCL signals, receiving | (Note 4) | | 20+0.1Cb | 300 | ns |
| t_F | Fall time of both SDA and SCL signals, receiving | (Note 4) | | 20+0.1Cb | 300 | ns |

Note 1: Guaranteed by design.

Note 2: The EC bit is used to set emitting current. Please refer to the detailed information in Page 7.

Note 3: Because of different IRLLED and material of cover, the detection distance will be different. The detail parameter should be tested. IR26-21C/L110/CT for IRLLED is recommended.

Note 4: Cb = total capacitance of one bus line in pF. $I_{SINK} \leq 6mA$. t_R and t_F measured between $0.3 \times V_{CC}$ and $0.7 \times V_{CC}$.

IS31SE5001

DETAILED DESCRIPTION

I2C INTERFACE

The IS31SE5001 uses a serial bus, which conforms to the I2C protocol, to control the chip's functions with two wires: SCL and SDA. The IS31SE5001 has a 7-bit slave address (A7:A1), followed by the R/W bit, A0. Set A0 to "0" for a write command and set A0 to "1" for a read command.

The complete slave address is:

Table 1 Slave Address (Write only):

| Bit | A7:A1 | A0 |
|-------|---------|-----|
| Value | 1010101 | 1/0 |

The SCL line is uni-directional. The SDA line is bi-directional (open-collector) with a pull-up resistor (typically 4.7kΩ). The maximum clock frequency specified by the I2C standard is 400kHz. In this discussion, the master is the microcontroller and the slave is the IS31SE5001.

The timing diagram for the I2C is shown in Figure 2. The SDA is latched in on the stable high level of the SCL. When there is no interface activity, the SDA line should be held high.

The "START" signal is generated by lowering the SDA signal while the SCL signal is high. The start signal will alert all devices attached to the I2C bus to check the incoming address against their own chip address.

The 8-bit chip address is sent next, most significant bit first. Each address bit must be stable while the SCL level is high.

After the last bit of the chip address is sent, the master checks for the IS31SE5001's acknowledge. The master releases the SDA line high (through a pull-up resistor). Then the master sends an SCL pulse. If the IS31SE5001 has received the address correctly, then it holds the SDA line low during the SCL pulse. If the SDA line is not low, then the master should send a "STOP" signal (discussed later) and abort the transfer.

Following acknowledge of IS31SE5001, the register address byte is sent, most significant bit first. IS31SE5001 must generate another acknowledge indicating that the register address has been received.

Then 8-bit of data byte are sent next, most significant bit first. Each data bit should be valid while the SCL level is stable high. After the data byte is sent, the IS31SE5001 must generate another acknowledge to indicate that the data was received.

The "STOP" signal ends the transfer. To signal "STOP", the SDA signal goes high while the SCL signal is high.

READING PORT REGISTERS

To read the device data, the bus master must first send the IS31SE5001 address with the R/W bit set to "0", followed by the command byte, which determines which register is accessed. After a restart, the bus master must then send the IS31SE5001 address with the R/W bit set to "1". Data from the register defined by the command byte is then sent from the IS31SE5001 to the master (Figure 5).

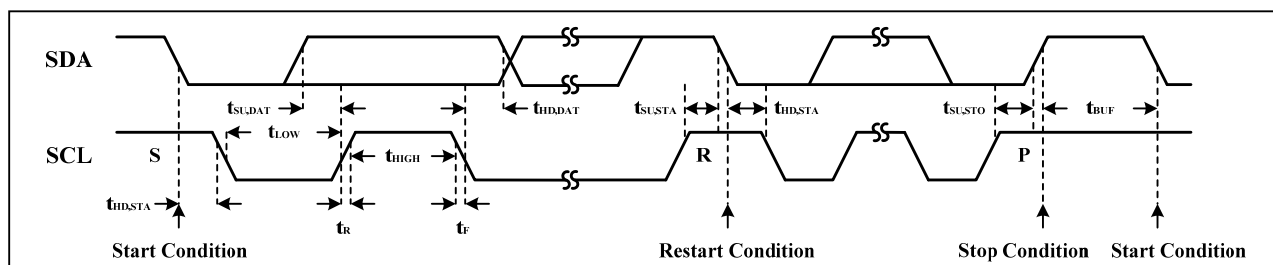


Figure 2 Interface timing

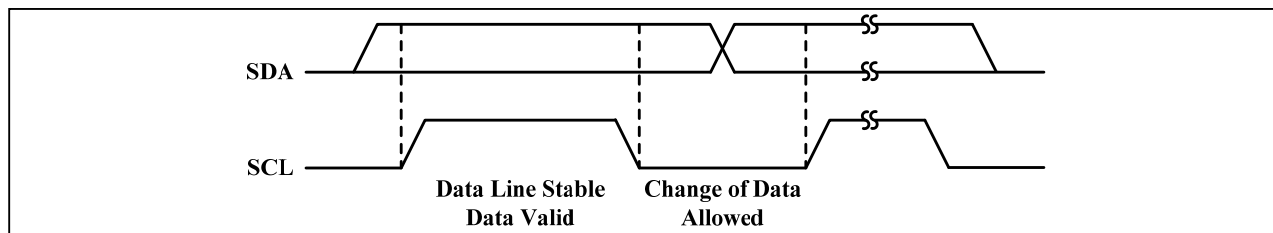


Figure 3 Bit transfer

IS31SE5001

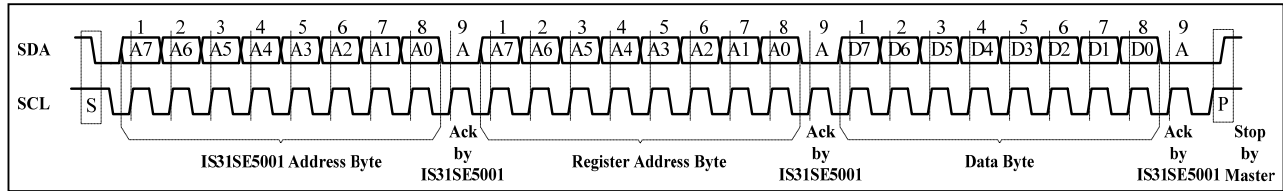


Figure 4 Writing to IS31SE5001

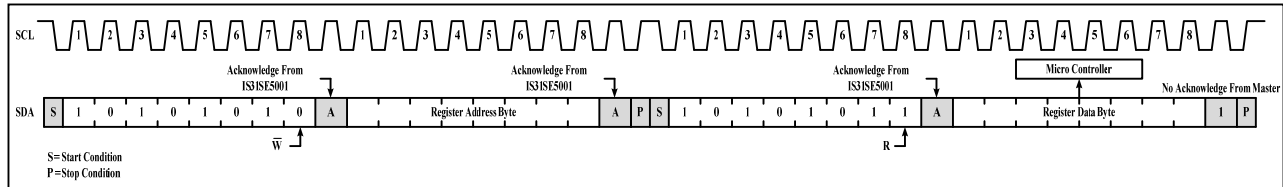


Figure 5 Reading from IS31SE5001

IS31SE5001

REGISTERS DEFINITIONS

Table 2 Register Function

| Address | Name | Function | R/W | Table | Default |
|---------|------------------------|------------------------------|-----|-------|-----------|
| 00h | Status Register | Store the motion information | R | 3 | xxxx xxxx |
| 01h | Shutdown Register | Set software shutdown | W | 4 | 0000 0000 |
| 11h | Configuration Register | Configure operating function | W | 5 | |

Table 3 00h Status Register (Read Only)

| Bit | D7:D4 | D3:D2 | D1:D0 |
|---------|-------|-------|-------|
| Name | - | PD | - |
| Default | - | | |

The Status Register stores the motion information which detected by IS31SE5001.

- PD** Proximity Detection (Figure 6)
- 01 Be off
 - 10 Be close
 - Others No motion

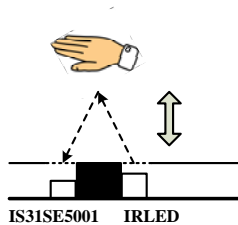


Figure 6 Proximity Detect (Side View)

Table 4 01h Shutdown Register

| Bit | D7:D1 | D0 |
|---------|---------|-----|
| Name | - | SSD |
| Default | 0000000 | 0 |

The Shutdown Register sets software shutdown mode of IS31SE5001.

- SSD** Software Shutdown Enable
- 0 Software shutdown mode
 - 1 Normal operation

Table 5 11h Configuration Register

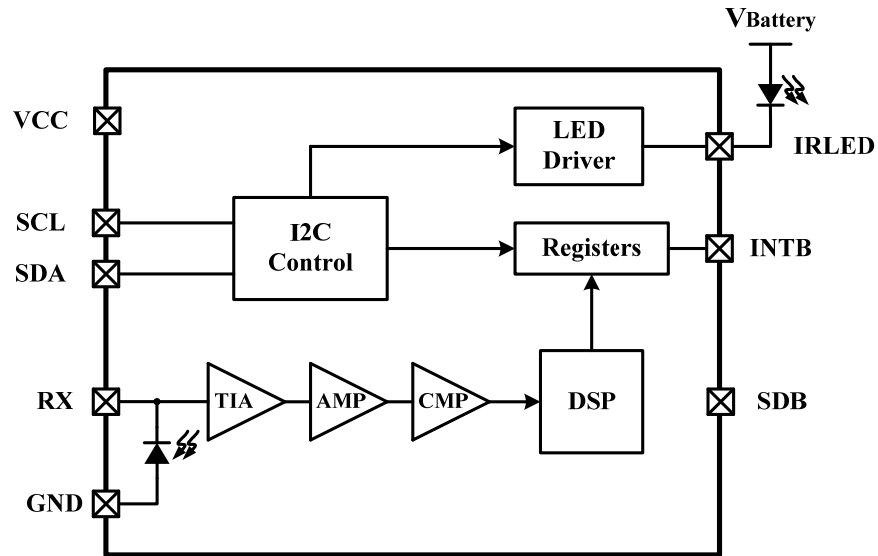
| Bit | D7:D4 | D3:D0 |
|---------|-------|-------|
| Name | - | EC |
| Default | 0000 | 0000 |

The Configuration Register sets the operating function.

- EC** Emitting Current Setting
(Adjusting detection distance, refer to detail information in Page 9)
- 0001 400mA
 - 0011 280mA
 - 0111 210mA
 - 1111 70mA

Note the default value of EC is "0000". The EC bit must be configured when power on. The INTB pin will be triggered when configure the EC bit first time. This interrupt can be ignored.

FUNCTIONAL BLOCK DIAGRAM



IS31SE5001

APPLICATION INFORMATION

GENERAL DESCRIPTION

The IS31SE5001 is a low-power, reflectance-based infrared light sensor with advanced signal processing and digital output. The sensor can detect making touchless motion possible.

STATUS INFORMATION

Master can get the current motion information by reading the PD bit of Status Register (00h).

The PD bit is available when IS31SE5001 operates. If the PD bit is “01”, it means the object is away from the IC. If the PD bit is “10”, it means the object is close to the IC (Table 3). If PD bit is other data, there is no motion.

INTERRUPTION

The changing of motion can be signed by the INTB pin. The INTB pin will be pulled low when object moving before the LCD panel (PD bit changing). And the MCU can get the information via reading the Status Register (00h). The INTB will be back to high until the MCU reading the Status Register (00h). The INTB pin will be high automatically when it stays low last 10ms to ensure system operating normally.

DETECTION DISTANCE

The emitting current can be adjusted by the EC bit of Configuration Register (11h). The larger current is, the longer distance detected.

Because of the different IRLED and material of cover, the detection distance will be different for the same emitting current. Detail information should be decided by testing.

In the stable mode and operating mode, the average emitting current for both two modes, I_{IR} , can be calculated by the Equation (1):

$$I_{IR} = \frac{1}{512} \times I_{EC} \quad (1)$$

The I_{EC} is the emitting current which setting by the EC bit.

SHUTDOWN MODE

Shutdown mode can be used as a means of reducing power consumption. During shutdown mode all registers retain their data.

SOFTWARE SHUTDOWN

By setting SSD bit of the Shutdown Register (01h) to “0”, the IS31SE5001 will operate in software shutdown mode.

HARDWARE SHUTDOWN

The chip enters hardware shutdown mode when the SDB pin is pulled low, wherein they consume only 1 μ A (Typ.) current.

IS31SE5001

CLASSIFICATION REFLOW PROFILES

| Profile Feature | Pb-Free Assembly |
|---|----------------------------------|
| Preheat & Soak Temperature min (T _{smin}) Temperature max (T _{smax}) Time (T _{smin} to T _{smax}) (t _s) | 150°C 200°C 60-120 seconds |
| Average ramp-up rate (T _{smax} to T _p) | 3°C/second max. |
| Liquidous temperature (T _L) Time at liquidous (t _L) | 217°C 60-150 seconds |
| Peak package body temperature (T _p)* | Max 260°C |
| Time (t _p)** within 5°C of the specified classification temperature (T _c) | Max 30 seconds |
| Average ramp-down rate (T _p to T _{smax}) | 6°C/second max. |
| Time 25°C to peak | 8 minutes max. |

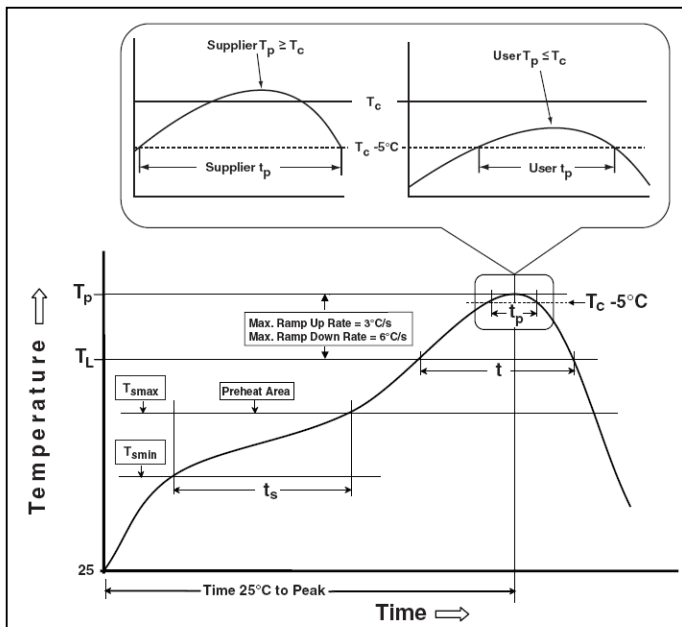
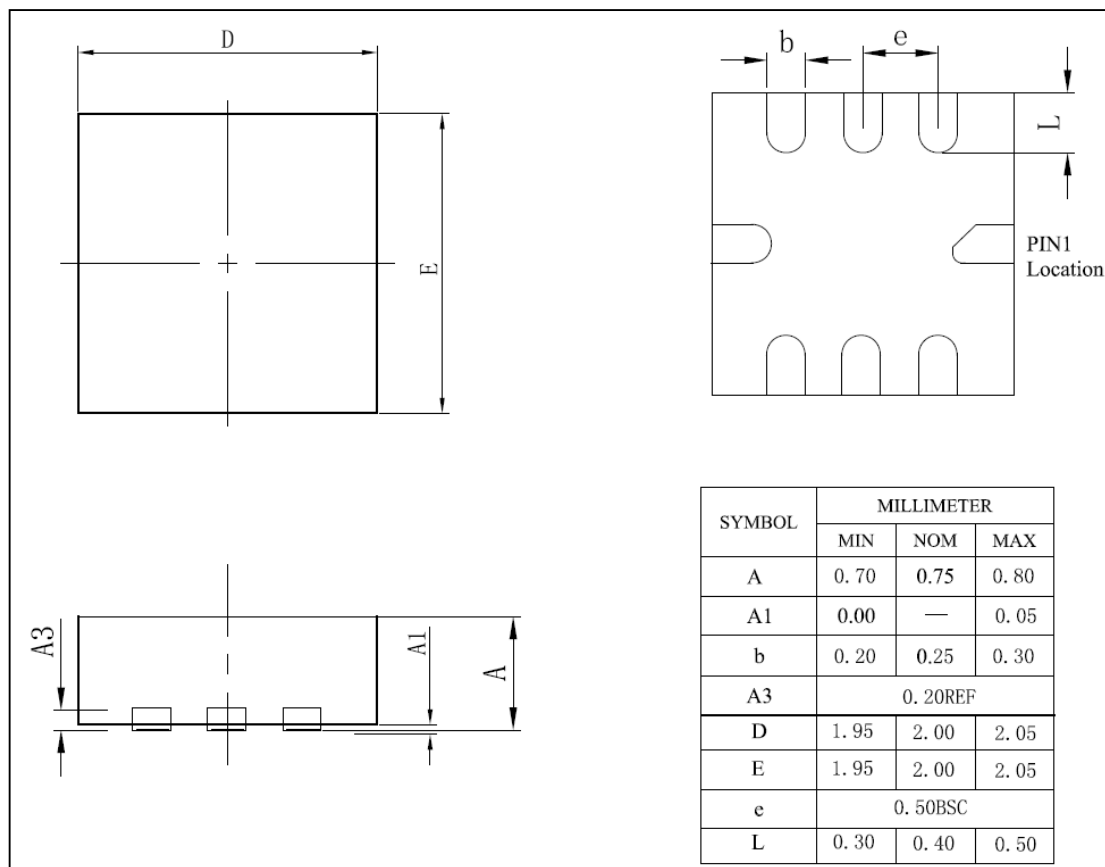


Figure 7 Classification Profile

PACKAGE INFORMATION

QFN-8



Note: All dimensions in millimeters unless otherwise stated.

Mouser Electronics

Authorized Distributor

Click to View Pricing, Inventory, Delivery & Lifecycle Information:

[ISSI:](#)

[IS31SE5001-QFLS2-TR](#) [IS31SE5001-QFLS2-EB](#)