

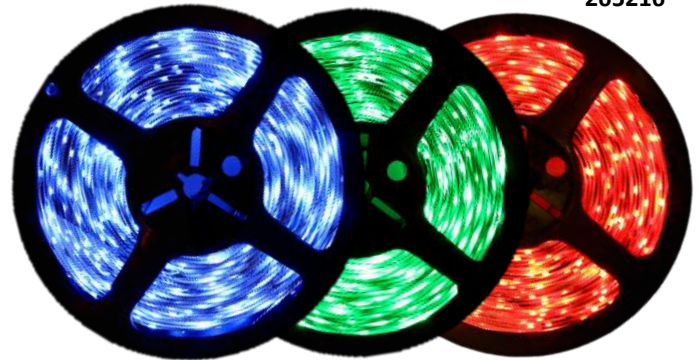
inspired LED

12V Flexible LED Strip Lights

Normal Bright Single Color



Inspired LED's **12 Volt Single Color Flexible Strip Lights** are an ideal solution for creating festive lighting displays in both homes and businesses. Available in custom lengths or 12 meter reels, these unique strips can easily be cut and terminated with solderless end connectors for quick DIY installation. Energy efficient, long lasting, and dimmable with compatible systems, Inspired LED flex strips are the perfect option for any lighting application!



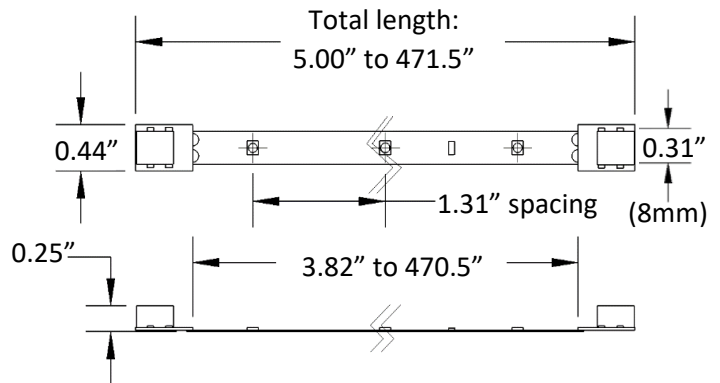
Specifications:

	Voltage	LED Density	Wattage	Radiant Power (brightness)	Peak Wavelength
Normal Bright Blue	12V	9 LEDs/ft., 30 LEDs/m	~0.80 W/ft.	~0.275 W/ft.	465 nm
Normal Bright Green	12V	9 LEDs/ft., 30 LEDs/m	~0.75 W/ft.	~0.100 W/ft.	517 nm
Normal Bright Red	12V	9 LEDs/ft., 30 LEDs/m	~0.70 W/ft.	~0.070 W/ft.	630 nm

Product Features:

- Size 2835 diodes , 1.31" between each LED
- 8mm flex, cut points available every 3.82" (3 LEDs)
- Available in custom pre-cut lengths or full 12m reels
- Class 2 DC plug-in connectors (3.5 x 1.3 mm) or screw terminal end connectors available
- Adhesive mounting to almost any flat surface
- Minimal heat production, no IR or UV output
- Dimmable with compatible systems
- Rated to last up to 100,000 hours
- CSA C22.2 No. 250.0-08/ANSI/UL Standard 1598, 8750
- **To be installed in accordance with NEC, using Class 2 12V power supply only!**

Product Dimensions:



*Dimensions show in inches

Power Requirements:

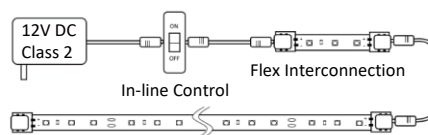
Power Source	Max Length
1 Amp (12 W)	174" (10 W)
2 Amp (24 W)	347.5" (21.5 W)
40W Transformer	580.5" (36W)
3.8 Amp (45.6 W)	662" (41W)
5 Amp (60 W)	871" (54W)
60W Transformer	871" (54W)
100W Transformer	1451.5" (90W)
150W Transformer	2177.5" (135W)

*70% brightness at 339.5". Longer strips should be powered from center to avoid further voltage drop.

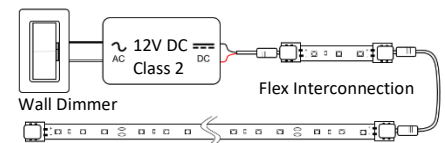
Installation Instructions:

1. Clean desired mounting surface(s) and test all products prior to installation.
2. Temporarily mount LED flex strips using scotch or painters tape.
3. Connect LED strips with compatible interconnect cables or 16-22 AWG wire.
4. Run cable from LED system to control device and 12V Class 2 power source (see diagrams below for more detail).
5. Test lighting system. When satisfied with placement, peel adhesive backing from components and press firmly to adhere to surface.

Plug-in System



Hardwire System



inspiredled.com



orders@inspiredled.com



(480) 941-4286

Mouser Electronics

Authorized Distributor

Click to View Pricing, Inventory, Delivery & Lifecycle Information:

Inspired LED:

[12V-NB-PW-12M](#) [12V-NB-PW-01M](#) [12V-NB-CW-01M](#) [12V-NB-WW-01M](#) [12V-NB-CW-12M](#) [12V-NB-WW-12M](#) [12V-NB-GR-01M](#) [12V-NB-BLU-01M](#) [12V-NB-RED-12M](#) [12V-NB-BLU-12M](#) [12V-NB-GR-12M](#) [12V-NB-RED-01M](#)