

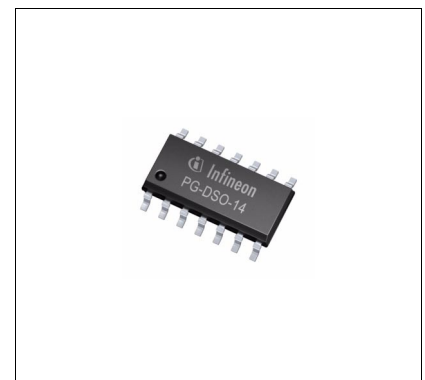
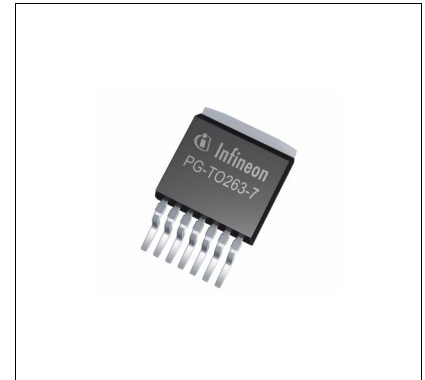
# TLE4267

## 5 V Low Drop Voltage Regulator



### Features

- Output voltage tolerance  $\leq \pm 2\%$
- 400 mA output current capability
- Low-drop voltage
- Very low standby current consumption
- Input voltage up to 40 V
- Overvoltage protection up to 60 V ( $\leq 400$  ms)
- Reset function down to 1 V output voltage
- ESD protection up to 2000 V
- Adjustable reset time
- On/off logic
- Overtemperature protection
- Reverse polarity protection
- Short-circuit proof
- Wide temperature range
- Suitable for use in automotive electronics
- Green Product (RoHS compliant)



### Potential applications

- Automotive applications directly connected to the battery
- Applications with a protected power supply for off-board load

### Product validation

Qualified for automotive applications. Product validation according to AEC-Q100/101.

### Description

TLE4267 is a 5 V low drop voltage regulator for automotive applications in the PG-T0263-7 or PG-DSO-14 package. It supplies an output current of greater than 400 mA. The IC is short-circuit-proof and has an overtemperature protection circuit.

**TLE4267**  
**5 V Low Drop Voltage Regulator**

---



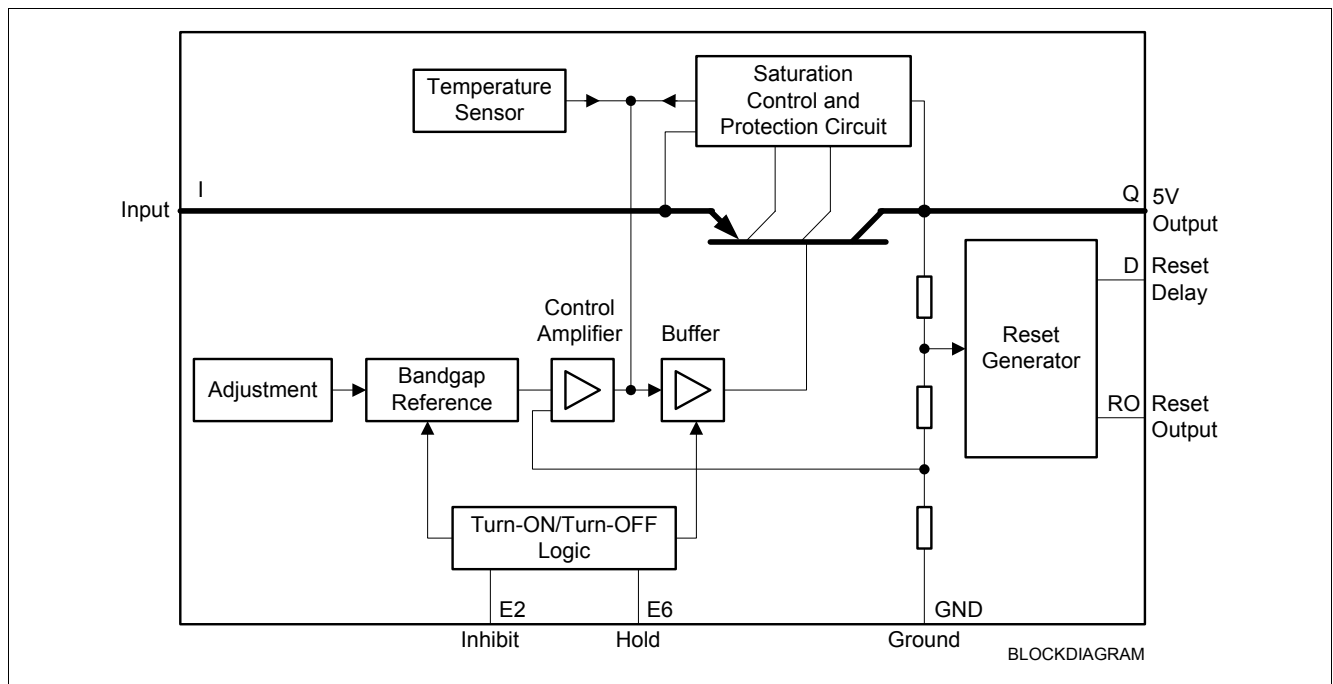
<b>Type</b>	<b>Package</b>	<b>Marking</b>
TLE4267G	PG-TO263-7	TLE4267
TLE4267GM	PG-DSO-14	TLE4267

## Table of contents

	<b>Features</b> .....	<b>1</b>
	<b>Potential applications</b> .....	<b>1</b>
	<b>Product validation</b> .....	<b>1</b>
	<b>Description</b> .....	<b>1</b>
	<b>Table of contents</b> .....	<b>3</b>
<b>1</b>	<b>Block diagram</b> .....	<b>4</b>
<b>2</b>	<b>Pin configuration</b> .....	<b>5</b>
2.1	Pin assignment PG-TO263-7 .....	5
2.2	Pin assignment PG-DSO-14 .....	6
<b>3</b>	<b>General product characteristics</b> .....	<b>7</b>
3.1	Absolute maximum ratings .....	7
3.2	Functional range .....	8
3.3	Thermal resistance .....	8
<b>4</b>	<b>Functional description</b> .....	<b>9</b>
4.1	Electrical characteristics .....	10
4.2	Typical performance characteristics .....	12
<b>5</b>	<b>Test and application circuit</b> .....	<b>15</b>
<b>6</b>	<b>Package outlines</b> .....	<b>18</b>
<b>7</b>	<b>Revision history</b> .....	<b>19</b>

**Block diagram**

**1 Block diagram**

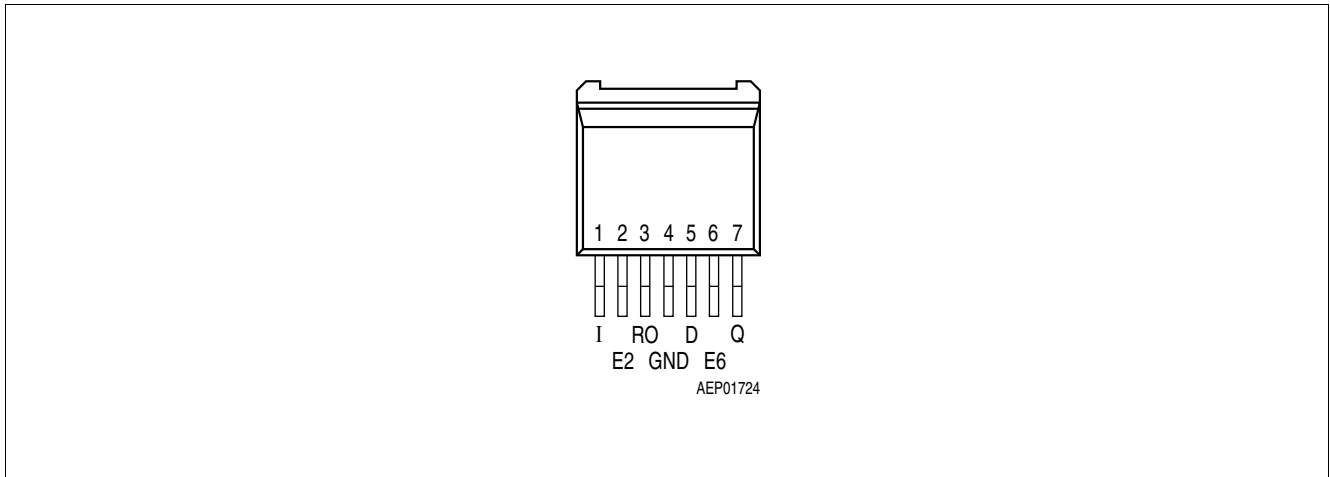


**Figure 1 Block diagram TLE4267**

**Pin configuration**

**2 Pin configuration**

**2.1 Pin assignment PG-TO263-7**



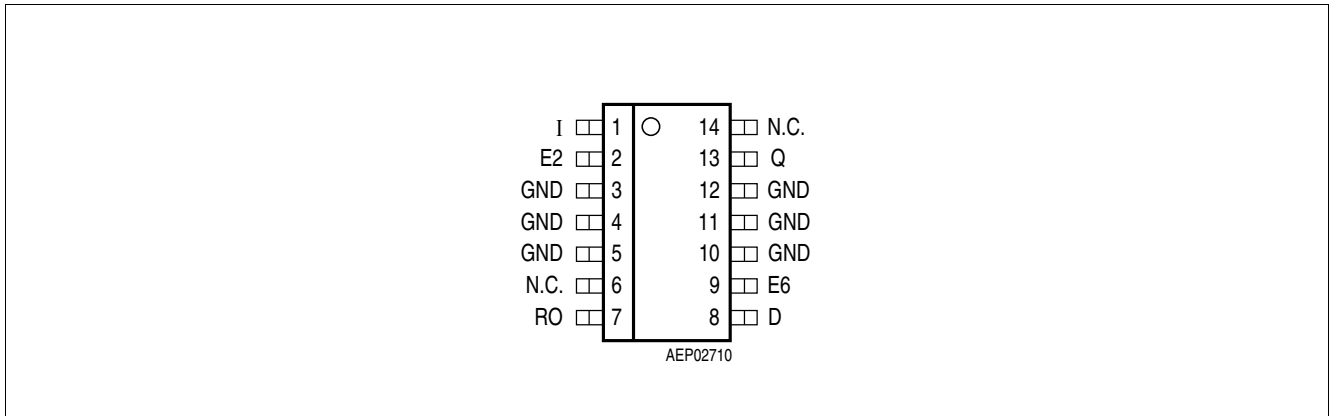
**Figure 2 Pin configuration** (top view)

**Table 1 Pin definitions and functions**

Pin	Symbol	Function
1	I	<b>Input;</b> block to ground directly at the IC by a ceramic capacitor
2	E2	<b>Inhibit;</b> device is turned on by High signal on this pin; internal pull-down resistor of 100 k $\Omega$
3	RO	<b>Reset Output;</b> open-collector output internally connected to the output via a resistor of 30 k $\Omega$
4	GND	<b>Ground;</b> connected to rear of chip
5	D	<b>Reset Delay;</b> connect via capacitor to GND
6	E6	<b>Hold;</b> see <a href="#">Table 6</a> for function; this input is connected to output voltage via a pull-up resistor of 50 k $\Omega$
7	Q	<b>5 V Output;</b> block to GND with 22 $\mu$ F capacitor, ESR < 3 $\Omega$

**Pin configuration**

**2.2 Pin assignment PG-DSO-14**



**Figure 3 Pin configuration** (top view)

**Table 2 Pin definitions and functions**

Pin	Symbol	Function
1	I	<b>Input;</b> block to ground directly at the IC by a ceramic capacitor
2	E2	<b>Inhibit;</b> device is turned on by High signal on this pin; internal pull-down resistor of 100 kΩ
7	RO	<b>Reset Output;</b> open-collector output internally connected to the output via a resistor of 30 kΩ
3, 4, 5, 10, 11, 12	GND	<b>Ground;</b> connected to rear of chip
8	D	<b>Reset Delay;</b> connect with capacitor to GND for setting delay
9	E6	<b>Hold;</b> see <a href="#">Table 6</a> for function; this input is connected to output voltage via a pull-up resistor of 50 kΩ
13	Q	<b>5 V Output;</b> block to GND with 22 μF capacitor, ESR ≤ 3 Ω
6, 14	N.C.	Not Connected

General product characteristics

### 3 General product characteristics

#### 3.1 Absolute maximum ratings

**Table 3 Absolute maximum ratings<sup>1)</sup>**

$T_J = -40$  to  $150^\circ\text{C}$

Parameter	Symbol	Values			Unit	Note or Test Condition	Number
		Min.	Typ.	Max.			
<b>Input</b>							
Voltage	$V_I$	-42	-	42	V	-	P_3.1.1
Voltage	$V_I$	-	-	60	V	$t \leq 400$ ms	P_3.1.2
Current	$I_I$	-	-	-	-	Internally limited	P_3.1.3
<b>Reset output</b>							
Voltage	$V_{RO}$	-0.3	-	7	V	-	P_3.1.4
Current	$I_{RO}$	-	-	-	-	Internally limited	P_3.1.5
<b>Reset delay</b>							
Voltage	$V_D$	-0.3	-	42	V	-	P_3.1.6
Current	$I_D$	-	-	-	-	-	P_3.1.7
<b>Output</b>							
Voltage	$V_Q$	-0.3	-	7	V	-	P_3.1.8
Current	$I_Q$	-	-	-	-	Internally limited	P_3.1.9
<b>Inhibit</b>							
Voltage	$V_{E2}$	-42	-	42	V	-	P_3.1.10
Current	$I_{E2}$	-5	-	5	mA	$t \leq 400$ ms	P_3.1.11
<b>Hold</b>							
Voltage	$V_{E6}$	-0.3	-	7	V	-	P_3.1.12
Current	$I_{E6}$	-	-	-	mA	Internally limited	P_3.1.13
<b>GND</b>							
Current	$I_{GND}$	-0.5	-	-	A	-	P_3.1.14
<b>Temperatures</b>							
Junction temperature	$T_J$	-	-	150	$^\circ\text{C}$	-	P_3.1.15
Storage temperature	$T_{stg}$	-50	-	150	$^\circ\text{C}$	-	P_3.1.16

1) Not subject to production test, specified by design.

#### Notes

1. Stresses above the ones listed here may cause permanent damage to the device. Exposure to absolute maximum rating conditions for extended periods may affect device reliability.
2. Integrated protection functions are designed to prevent IC destruction under fault conditions described in the data sheet. Fault conditions are considered as outside normal operating range. Protection functions are not designed for continuous repetitive operation.

**General product characteristics**

**3.2 Functional range**

**Table 4 Functional range**

Parameter	Symbol	Values			Unit	Note or Test Condition	Number
		Min.	Typ.	Max.			
Input voltage	$V_I$	5.5	–	40	V	–	P_3.2.1
Junction temperature	$T_J$	-40	–	150	°C	–	P_3.2.2

*Note:* Within the functional or operating range, the IC operates as described in the circuit description. The electrical characteristics are specified within the conditions given in the Electrical Characteristics table.

**3.3 Thermal resistance**

**Table 5 Thermal resistance**

Parameter	Symbol	Values			Unit	Note or Test Condition	Number
		Min.	Typ.	Max.			
<b>PG-TO263-7 package</b>							
Junction ambient	$R_{thja}$	–	–	70	K/W	–	P_3.3.4
Junction-case	$R_{thjc}$	–	–	6	K/W	–	P_3.3.5
Junction-case	$Z_{thjc}$	–	–	2	K/W	$t < 1$ ms	P_3.3.6
<b>PG-DSO-14 package</b>							
Junction ambient	$R_{thja}$	–	–	70	K/W	–	P_3.3.10
Junction-pin	$R_{thjp}$	–	–	30	K/W	–	P_3.3.11

*Note:* This thermal data was generated in accordance with JEDEC JESD51 standards. For more information, go to [www.jedec.org](http://www.jedec.org).



**Functional description**

## 4 Functional description

### Application

The IC regulates an input voltage  $V_I$  in the range of  $5.5\text{ V} < V_I < 40\text{ V}$  to a nominal output voltage of  $V_Q = 5.0\text{ V}$ . A reset signal is generated for an output voltage of  $V_Q < V_{RT}$  (typ. 4.5 V). The reset delay can be set with an external capacitor. The device has two logic inputs. A voltage of  $V_{E2} > 4.0\text{ V}$  applied to the E2-pin (e.g. by ignition) turns the device on. Depending on the voltage on pin E6 the IC may be kept in Hold active-state even if  $V_{E2}$  goes to low level (see [Table 6](#)). This makes it simple to implement a self-holding circuit without external components. When the device is turned off, the output voltage drops to 0 V and current consumption tends towards 0  $\mu\text{A}$ .

### Design notes for external components

The input capacitor  $C_I$  is necessary for compensation of line influences. The resonant circuit consisting of lead inductance and input capacitance can be damped by a resistor of approximately  $1\ \Omega$  in series with  $C_I$ . The output capacitor is necessary for the stability of the regulating circuit. Stability is specified at values of  $C_Q \geq 22\ \mu\text{F}$  and an ESR of  $\leq 3\ \Omega$  within the operating temperature range.

### Circuit description

The control amplifier compares a reference voltage, which is kept highly accurate by resistance adjustment, to a voltage that is proportional to the output voltage and drives the base of the series transistor via a buffer. Saturation control as a function of the load current prevents any over-saturating of the power element.

The reset output RO is in high-state if the voltage on the delay capacitor  $C_D$  is greater or equal  $V_{UD}$ . The delay capacitance  $C_D$  is charged with the current  $I_D$  for output voltages greater than the reset threshold  $V_{RT}$ . If the output voltage drops below  $V_{RT}$  a fast discharge of the delay capacitor  $C_D$  sets in and as soon as  $V_{CD}$  drops below  $V_{LD}$  the reset output RO is set to low-level (see [Figure 6](#)). The reset delay can be set within a wide range by dimensioning the capacitance of the external capacitor.

**Table 6 Truth table for turn-ON/turn-OFF logic**

<b>E2, Inhibit<sup>1)</sup></b>	<b>E6, Hold<sup>2)</sup></b>	<b><math>V_Q</math></b>	<b>Remarks</b>
L	X	OFF	Initial state
H	X	ON	Regulator switched on via Inhibit, by ignition for example
H	L	ON	Hold clamped active to ground by controller while Inhibit is still high
X	L	ON	Previous state remains, even if ignition is shutting off: self-holding state
L	L	ON	Ignition shut off while regulator is in self-holding state
L	H	OFF	Regulator shut down by releasing of Hold while Inhibit remains Low, final state. No active clamping required by external self-holding circuit ( $\mu\text{C}$ ) to keep regulator in off-state

1) Inhibit: E2 Enable function, active high.

2) Hold: E6 Hold and release function, active low.

**Functional description**

**4.1 Electrical characteristics**

**Table 7 Electrical characteristics**

$V_I = 13.5\text{ V}$ ;  $-40^\circ\text{C} < T_J < 125^\circ\text{C}$ ;  $V_{E2} > 4\text{ V}$  (unless specified otherwise)

Parameter	Symbol	Values			Unit	Note or Test Condition	Number
		Min.	Typ.	Max.			
Output voltage	$V_Q$	4.9	5	5.1	V	$5\text{ mA} \leq I_Q \leq 400\text{ mA}$ $6\text{ V} \leq V_I \leq 26\text{ V}$	P_4.1.1
Output voltage	$V_Q$	4.9	5	5.1	V	$5\text{ mA} \leq I_Q \leq 150\text{ mA}$ $6\text{ V} \leq V_I \leq 40\text{ V}$	P_4.1.2
Output current limiting	$I_Q$	500	–	–	mA	$T_J = 25^\circ\text{C}$	P_4.1.3
Current consumption $I_q = I_I - I_Q$	$I_q$	–	–	50	$\mu\text{A}$	IC turned off	P_4.1.4
Current consumption $I_q = I_I - I_Q$	$I_q$	–	1.0	10	$\mu\text{A}$	$T_J = 25^\circ\text{C}$ IC turned off	P_4.1.5
Current consumption $I_q = I_I - I_Q$	$I_q$	–	1.3	4	mA	$I_Q = 5\text{ mA}$ IC turned on	P_4.1.6
Current consumption $I_q = I_I - I_Q$	$I_q$	–	–	60	mA	$I_Q = 400\text{ mA}$	P_4.1.7
Current consumption $I_q = I_I - I_Q$	$I_q$	–	–	80	mA	$I_Q = 400\text{ mA}$ $V_I = 5\text{ V}$	P_4.1.8
Drop voltage	$V_{Dr}$	–	0.3	0.6	V	$I_Q = 400\text{ mA}^{1)}$	P_4.1.9
Load regulation	$\Delta V_Q$	–	–	50	mV	$5\text{ mA} \leq I_Q \leq 400\text{ mA}$	P_4.1.10
Supply-voltage regulation	$\Delta V_Q$	–	15	25	mV	$V_I = 6\text{ to }36\text{ V}$ ; $I_Q = 5\text{ mA}$	P_4.1.11
Supply-voltage rejection	$SVR$	–	54	–	dB	$f_r = 100\text{ Hz}$ ; $V_r = 0.5\text{ Vpp}$	P_4.1.12
Longterm stability	$\Delta V_Q$	–	0	–	mV	1000 h	P_4.1.13

**Reset generator**

Switching threshold	$V_{RT}$	4.2	4.5	4.8	V	–	P_4.1.14
Reset High level	–	4.5	–	–	V	$R_{ext} = \infty$	P_4.1.15
Saturation voltage	$V_{RO,SAT}$	–	0.1	0.4	V	$R_R = 4.7\text{ k}\Omega^{2)}$	P_4.1.16
Internal Pull-up resistor	$R_{RO}$	–	30	–	k $\Omega$	–	P_4.1.17
Saturation voltage	$V_{D,SAT}$	–	50	100	mV	$V_Q < V_{RT}$	P_4.1.18
Charge current	$I_D$	8	15	25	$\mu\text{A}$	$V_D = 1.5\text{ V}$	P_4.1.19
Upper delay switching threshold	$V_{UD}$	2.6	3	3.3	V	–	P_4.1.20
Delay time	$t_D$	–	20	–	ms	$C_D = 100\text{ nF}$	P_4.1.21
Lower delay switching threshold	$V_{LD}$	–	0.43	–	V	–	P_4.1.22
Reset reaction time	$t_{RR}$	–	2	–	$\mu\text{s}$	$C_D = 100\text{ nF}$	P_4.1.23

**Inhibit**

Turn on voltage	$V_{U,INH}$	–	3	4	V	IC turned on	P_4.1.24
Turn off voltage	$V_{L,INH}$	2	–	–	V	IC turned off	P_4.1.25

**Functional description**

**Table 7 Electrical characteristics (cont'd)**

$V_I = 13.5 \text{ V}$ ;  $-40^\circ\text{C} < T_J < 125^\circ\text{C}$ ;  $V_{E2} > 4 \text{ V}$  (unless specified otherwise)

Parameter	Symbol	Values			Unit	Note or Test Condition	Number
		Min.	Typ.	Max.			
Pull-down resistor	$R_{INH}$	50	100	200	k $\Omega$	–	P_4.1.26
Hysteresis	$\Delta V_{INH}$	0.2	0.5	0.8	V	–	P_4.1.27
Input current	$I_{INH}$	–	35	100	$\mu\text{A}$	$V_{INH} = 4 \text{ V}$	P_4.1.28
Hold voltage	$V_{U,HOLD}$	30	35	40	%	Referred to $V_Q$	P_4.1.29
Turn off voltage	$V_{L,HOLD}$	60	70	80	%	Referred to $V_Q$	P_4.1.30
Pull-up resistor	$R_{HOLD}$	20	50	100	k $\Omega$	–	P_4.1.31

**Overvoltage Protection**

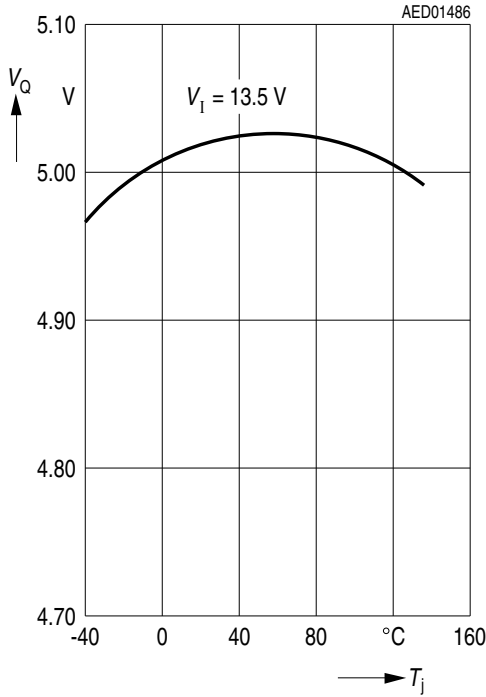
Turn off voltage	$V_{I,OV}$	42	44	46	V	$V_I$ increasing	P_4.1.32
Turn on voltage	$V_{I,turn\ on}$	36	–	–	V	$V_I$ decreasing after turn off	P_4.1.33

- 1) Drop voltage =  $V_I - V_Q$  (measured when the output voltage  $V_Q$  has dropped 100 mV from the nominal value obtained at  $V_I = 13.5 \text{ V}$ ).
- 2) The reset output is low for  $1 \text{ V} < V_Q < V_{RT}$ .

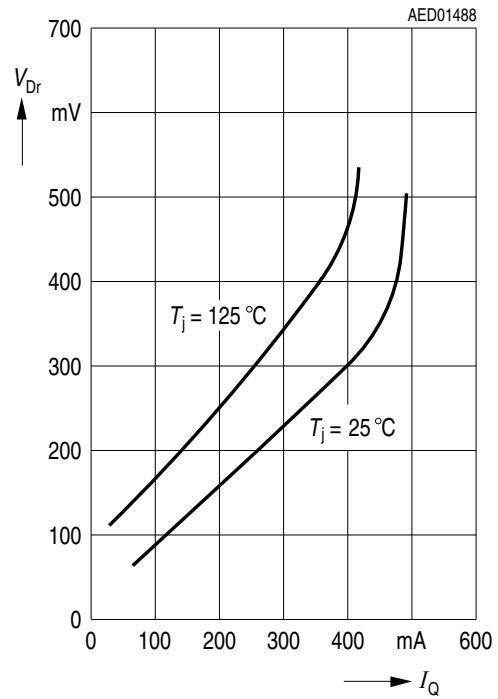
**Functional description**

**4.2 Typical performance characteristics**

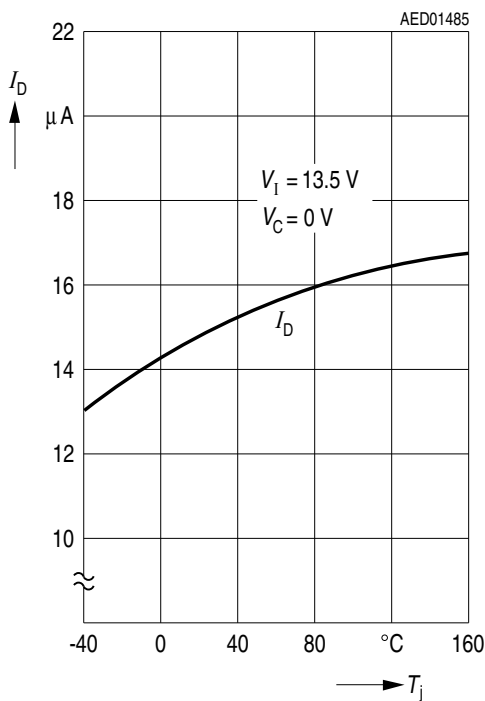
**Output voltage  $V_Q$  versus junction temperature  $T_j$**



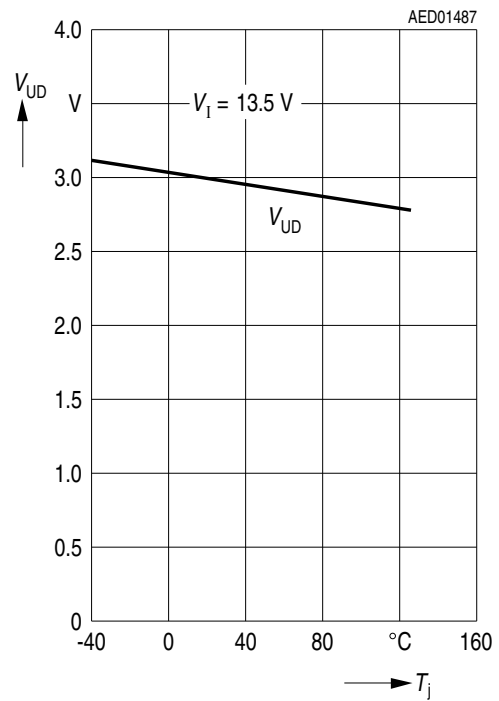
**Drop voltage  $V_{Dr}$  versus output current  $I_Q$**



**Charge current  $I_D$  versus junction temperature  $T_j$**

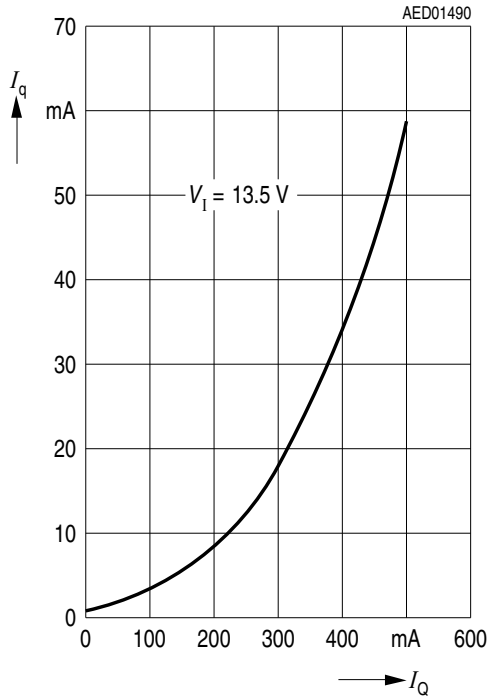


**Delay switching threshold  $V_{UD}$  versus junction temperature  $T_j$**

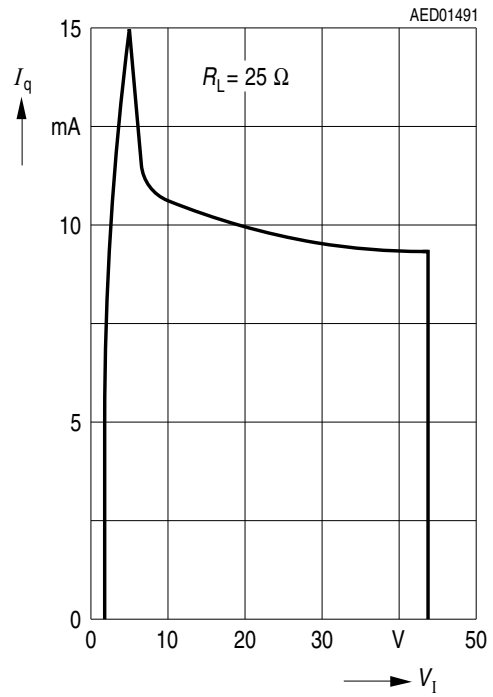


**Functional description**

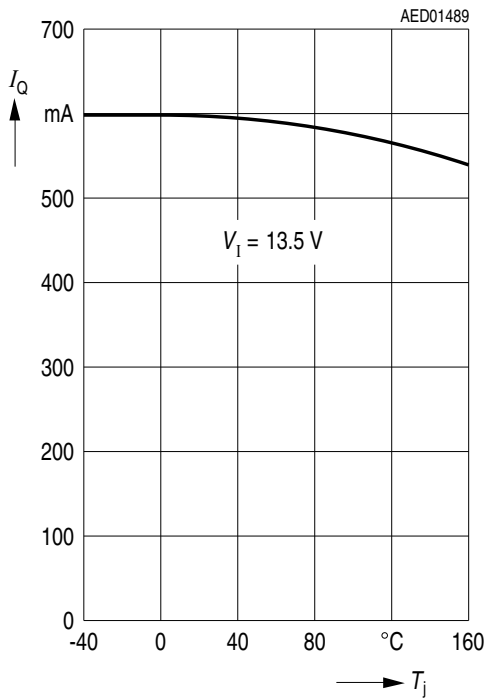
**Current consumption  $I_q$  versus output current  $I_Q$**



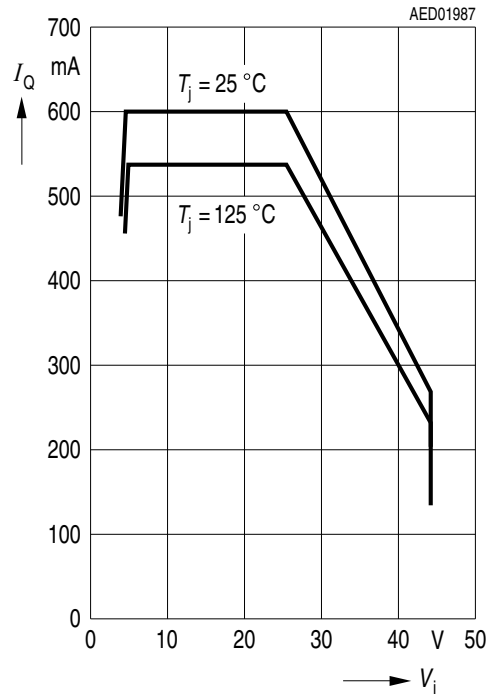
**Current consumption  $I_q$  versus input voltage  $V_1$**



**Output current limiting  $I_Q$  versus junction temperature  $T_j$**

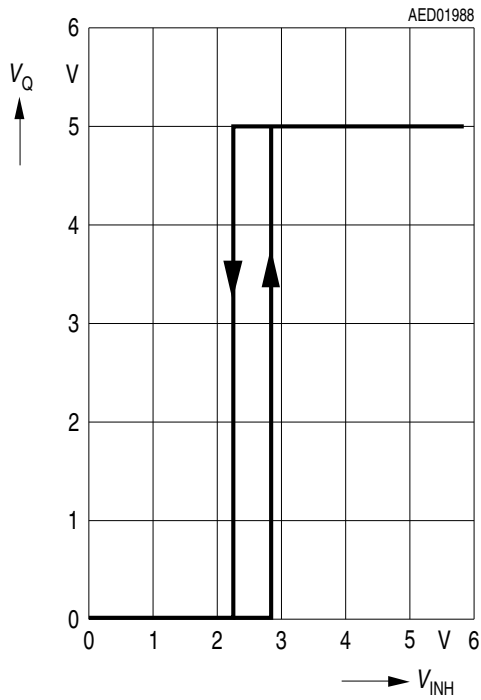


**Output current limiting  $I_Q$  versus input voltage  $V_1$**

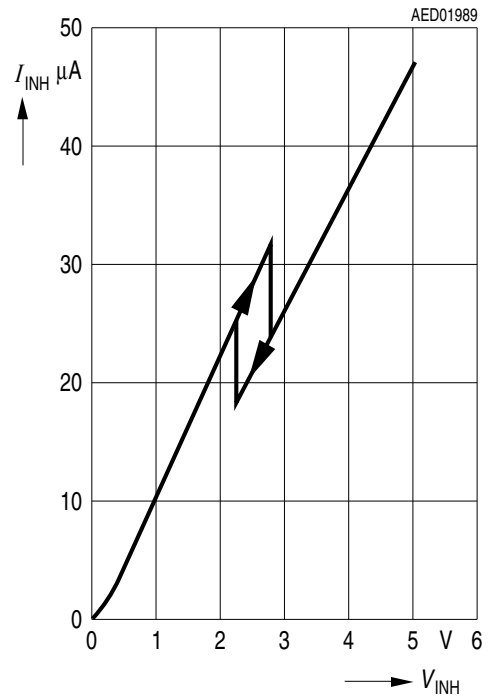


**Functional description**

**Output voltage  $V_Q$  versus  
inhibit voltage  $V_{INH}$**

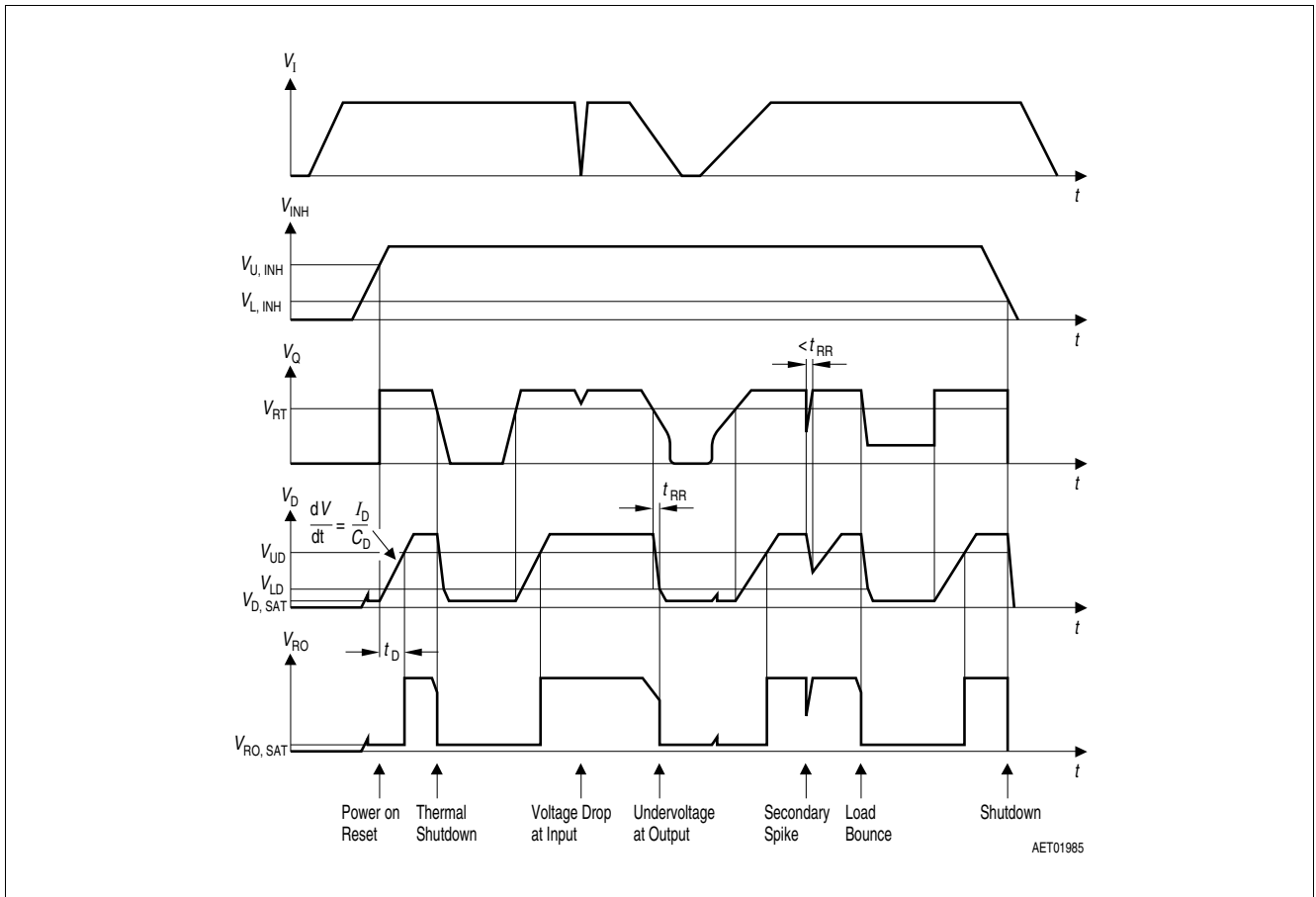


**Inhibit current  $I_{INH}$  versus  
inhibit voltage  $V_{INH}$**





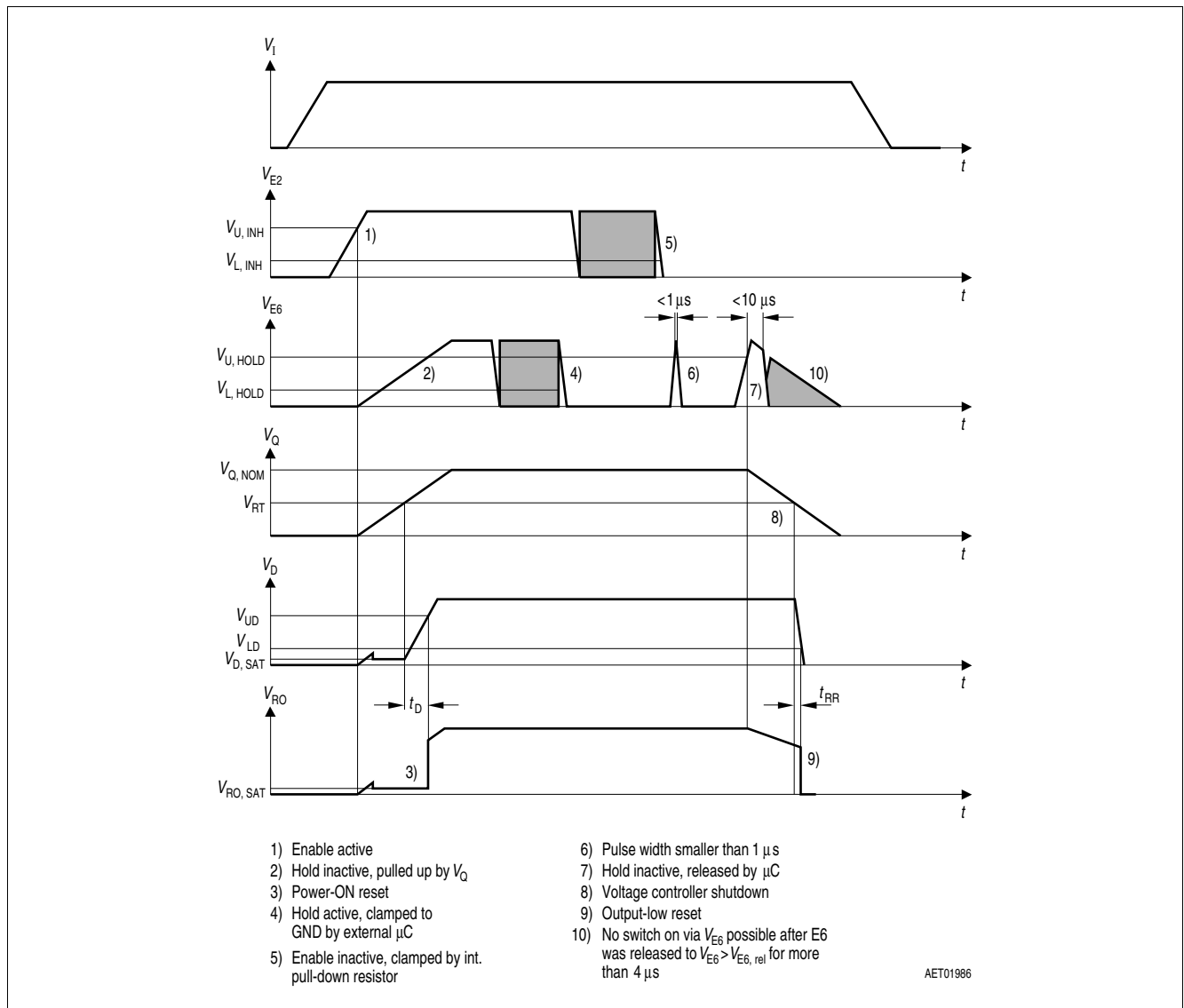
**Test and application circuit**



**Figure 6 Time response**



**Test and application circuit**



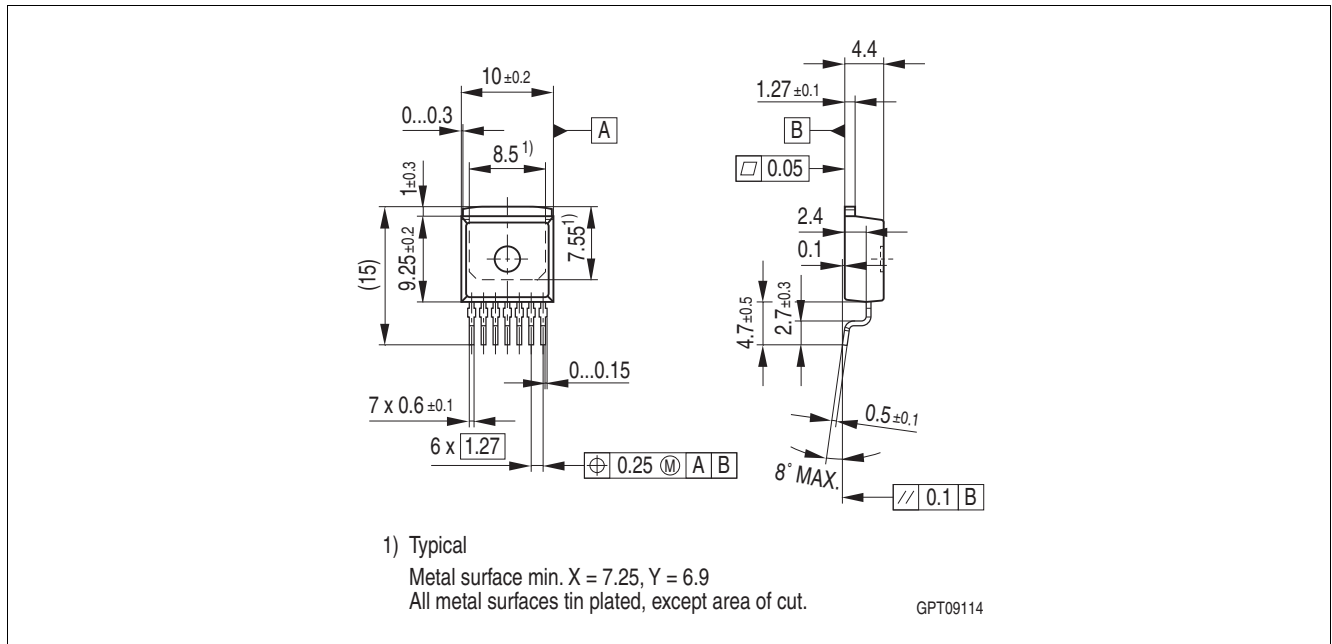
**Figure 7 Enable and Hold behavior**

**Package outlines**

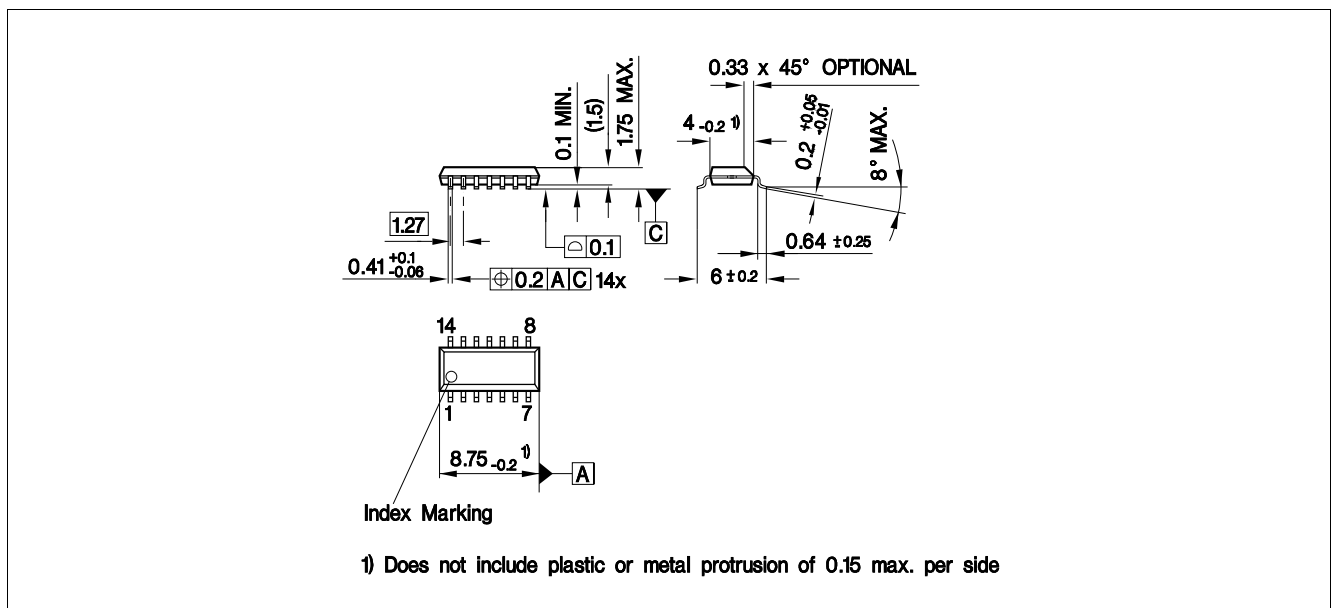
**6 Package outlines**

**Green Product (RoHS compliant)**

To meet the world-wide customer requirements for environmentally friendly products and to be compliant with government regulations the device is available as a green product. Green products are RoHS-Compliant (i.e Pb-free finish on leads and suitable for Pb-free soldering according to IPC/JEDEC J-STD-020).



**Figure 8 PG-T0263-7 (Plastic Transistor Single Outline)**



**Figure 9 PG-DSO-14 (Plastic Dual Small Outline)**

For further information on alternative packages, please visit our website:  
<http://www.infineon.com/packages>.

Dimensions in mm

**Revision history**

## 7 Revision history

<b>Revision</b>	<b>Date</b>	<b>Changes</b>
2.6	2018-07-03	Discontinued product variants TLE4267 and TLE4267S removed from data sheet. Editorial changes. Package updated by optional chamfer for PG-DSO-14.
2.51	2012-02-20	<b>Page 1:</b> Cover page added. <b>Page 4: Figure 1 “Block diagram TLE4267”</b> updated with clear label for reset output pin. <b>Page 15: Figure 5 “Application circuit TLE4267”</b> updated with clear labels for inhibit, hold, reset and reset delay pin.
2.5	2007-03-20	Initial version of RoHS-compliant derivative of TLE4267: <b>Page 1:</b> AEC certified statement added. <b>Page 1</b> and <b>Page 18</b> ff: RoHS compliance statement and Green product feature added. <b>Page 1</b> and <b>Page 18</b> ff: Package changed to RoHS compliant version Legal Disclaimer updated.

#### Trademarks

All referenced product or service names and trademarks are the property of their respective owners.

**Edition 2018-07-03**

**Published by**

**Infineon Technologies AG**

**81726 Munich, Germany**

**© 2018 Infineon Technologies AG.**

**All Rights Reserved.**

**Do you have a question about any aspect of this document?**

**Email: [erratum@infineon.com](mailto:erratum@infineon.com)**

**Document reference**

**Z8F50686678**

#### IMPORTANT NOTICE

The information given in this document shall in no event be regarded as a guarantee of conditions or characteristics ("Beschaffheitsgarantie").

With respect to any examples, hints or any typical values stated herein and/or any information regarding the application of the product, Infineon Technologies hereby disclaims any and all warranties and liabilities of any kind, including without limitation warranties of non-infringement of intellectual property rights of any third party.

In addition, any information given in this document is subject to customer's compliance with its obligations stated in this document and any applicable legal requirements, norms and standards concerning customer's products and any use of the product of Infineon Technologies in customer's applications.

The data contained in this document is exclusively intended for technically trained staff. It is the responsibility of customer's technical departments to evaluate the suitability of the product for the intended application and the completeness of the product information given in this document with respect to such application.

For further information on technology, delivery terms and conditions and prices, please contact the nearest Infineon Technologies Office ([www.infineon.com](http://www.infineon.com)).

#### WARNINGS

Due to technical requirements products may contain dangerous substances. For information on the types in question please contact your nearest Infineon Technologies office.

Except as otherwise explicitly approved by Infineon Technologies in a written document signed by authorized representatives of Infineon Technologies, Infineon Technologies' products may not be used in any applications where a failure of the product or any consequences of the use thereof can reasonably be expected to result in personal injury.

# Mouser Electronics

Authorized Distributor

Click to View Pricing, Inventory, Delivery & Lifecycle Information:

[Infineon:](#)

[TLE4267G](#) [TLE4267GM](#)