

Series S Size 1 - .075 Centers

BeCu PLUNGER TIPS



PROBE SPECIFICATIONS

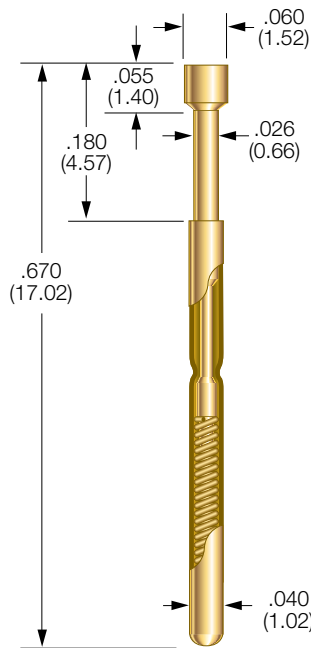
Minimum Centers: .075 (1.91)
Current Rating: 3 amps continuous
Spring Force: 2.0, 3.8 or 6.6 oz. @ .070 (1.78) travel
Typical Resistance: < 25 mΩ
Maximum Travel: .100 (2.54)
Working Travel: .070 (1.78)

Rated Force oz. (g)	Preload oz. (g)	Material
2.0 (57)	0.8 (23)	SS
3.8 (108)	1.5 (43)	SS
6.6 (187)	2.0 (57)	MW

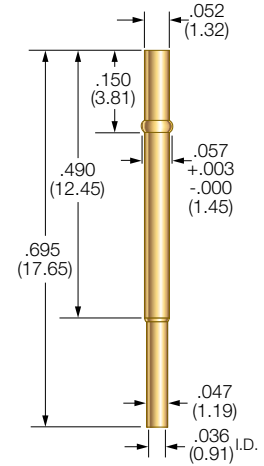
MATERIALS

Barrel: Nickel/silver, gold plated
Spring: Stainless steel or music wire, gold plated
Plunger: Beryllium copper, gold plated over nickel or Duralloy™
Receptacle: Nickel/silver, gold plated, gold plated post

S-1 PROBE



R-1 Receptacle



Drill Size: 1.45mm
Mounting Hole Size: .055/.057 (1.40/1.45)
Recommended Wire: 24-28 gage

RECEPTACLE OPTIONS

Part Number	Style	Receptacle Length	Probe/Receptacle Combined Length	Comments
R-1-CR	Crimp	0.695 (17.65)	0.875 (22.23)	—
R-1-SC	Solder Cup	0.695 (17.65)	0.875 (22.23)	—
R-1-RP	Round Post	1.070 (27.18)	1.250 (31.75)	.375 post length - .025 dia.
R-1-WW-429	Wire Wrap	1.124 (28.55)	1.304 (33.12)	.429 post length - .025 sq.

HOW TO ORDER: SPRING CONTACT PROBE

S SERIES
1 SIZE
A TIP STYLE
3.8 SPRING FORCE
G PLATING OPTIONS

SERIES:
S: STANDARD
SX: IMPROVED POINTING ACCURACY

SPRING FORCE:
 2.0 oz. @ .070 (1.78) TRAVEL
 3.8 oz. @ .070 (1.78) TRAVEL
 6.6 oz. @ .070 (1.78) TRAVEL

PLATING OPTIONS:
G: GOLD PLATED PLUNGER
D: DURALLOY™ PLATED PLUNGER

CRIMPING PLIERS: CP1
INSERTION TOOL: RT1

RECEPTACLE

R SERIES
1 SIZE
WW TERMINATION
429 POST LENGTH

TERMINATIONS:
CR: CRIMP
SC: SOLDER CUP
RP: ROUND POST
WW: WIRE WRAP

POST LENGTH:
WW: 429

VIEW UPDATES OF THIS INFORMATION AT WWW.IDINET.COM

Specifications subject to change without notice. Dimensions in inches (millimeters)

Mouser Electronics

Authorized Distributor

Click to View Pricing, Inventory, Delivery & Lifecycle Information:

[Smiths Interconnect:](#)

[R-1-RP RSS75RP](#) [R-1-SC/RSS-75-SC](#) [R-1-CR](#) [R-1-WW-429](#)