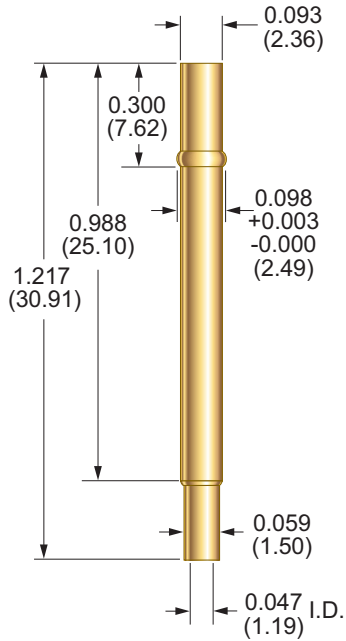


▶ R-3 SERIES

0.125 (3.18) Centers

For S-3 Series Probes see pg. 25



PROBE SPECIFICATIONS

Minimum Centers	0.125 (3.18)
Drill Size	#41
Mounting Hole Size	0.094/0.096 (2.39/2.44)
Recommended Wire	22-26 gage
Materials	Nickel/silver, gold plated, gold plated post

TOOLS

Crimping Pliers	CP-3 (for 22-26 gage solid conductor)
Insertion Tool	RT-3

PART NUMBER	STYLE	RECEPTACLE LENGTH	PROBE/RECEPTACLE COMBINED LENGTH	NOTES
R-3-CR	Crimp	1.217 (30.91)	1.539 (39.09)	—
R-3-SC	Solder Cup	1.217 (30.91)	1.539 (39.09)	—
R-3-WW-429	Wire Wrap	1.646 (41.81)	1.968 (49.99)	0.429 post length – 0.025 sq.

HOW TO ORDER

R - 3 - WW - 429	
1 2 3	
1 ▶ SERIES	R
2 ▶ SIZE	3
3 ▶ TERMINATION	CR CRIMP SC SOLDER CUP
	WW - 429 WIRE WRAP 0.429 POST LENGTH

Mouser Electronics

Authorized Distributor

Click to View Pricing, Inventory, Delivery & Lifecycle Information:

[Smiths Interconnect:](#)

[R-3-CR](#) [R-3-SC](#) [R-3-WW-429](#)