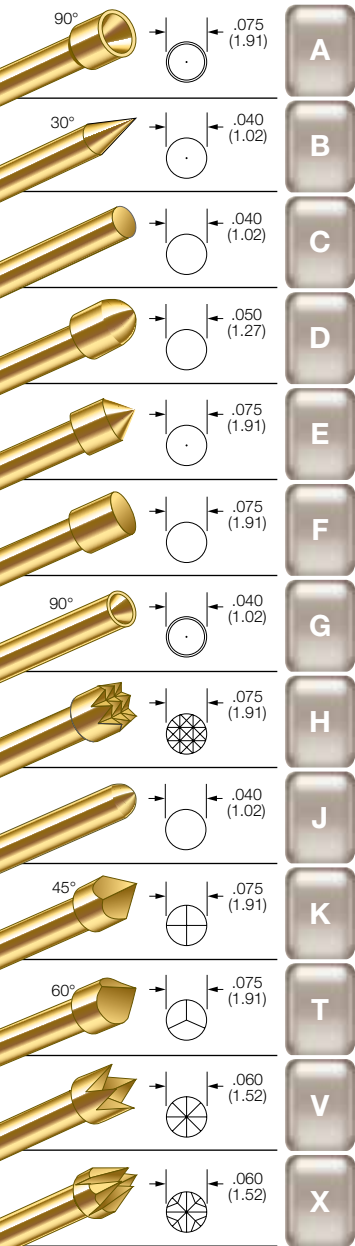


Series S SIZE 2 .100 CENTERS

BeCu PLUNGER TIPS



PROBE SPECIFICATIONS

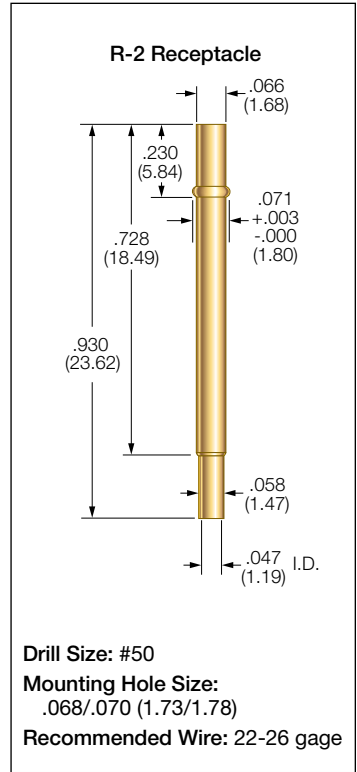
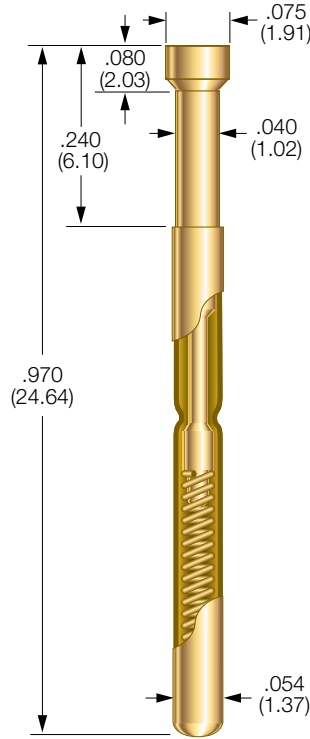
Minimum Centers: .100 (2.54)
Current Rating: 3 amps continuous
Spring Force: 4.0, 7.0, 8.3 or 10.0 oz. @ .100 (2.54) travel
Typical Resistance: < 35 mΩ
Maximum Travel: .160 (4.06)
Working Travel: .100 (2.54)

Rated Force oz (g)	Preload oz (g)	Material
4.0 (113)	1.6 (45)	BeCu
7.0 (198)	2.9 (82)	SS
8.3 (235)	3.3 (93)	MW
10.0 (283)	3.9 (110)	MW

MATERIALS

Barrel: Nickel/silver, gold plated
Spring: Beryllium copper, precious metal plated, music wire or stainless steel, gold plated
Plunger: Beryllium copper, gold plated over nickel or Duralloy™
Receptacle: Nickel/silver, gold plated; gold plated post

S-2 PROBE



RECEPTACLE OPTIONS

Part Number	Style	Receptacle Length	Probe/Receptacle Combined Length	Comments
R-2-CR	Crimp	0.930 (23.62)	1.170 (29.72)	—
R-2-SC	Solder Cup	0.930 (23.62)	1.170 (29.72)	—
R-2-RP	Round Post	1.305 (31.15)	1.545 (39.24)	.375 post length - .025 dia.
R-2-WW-429	Wire Wrap	1.359 (34.52)	1.599 (40.61)	.429 post length - .025 sq.

HOW TO ORDER: SPRING CONTACT PROBE

S	2	A	4	G
SERIES	SIZE	TIP STYLE	SPRING FORCE	PLATING OPTIONS

SPRING FORCE:
 4.0 oz. @ .100 (2.54) TRAVEL
 7.0 oz. @ .100 (2.54) TRAVEL
 8.3 oz. @ .100 (2.54) TRAVEL
 10.0 oz. @ .100 (2.54) TRAVEL

SERIES:
S: STANDARD
SX: IMPROVED POINTING ACCURACY

PLATING OPTIONS:
G: GOLD PLATED PLUNGER
D: DURALLOY™ PLATED PLUNGER

CRIMPING PLIERS: CP2
INSERTION TOOL: RT2

RECEPTACLE

R	2	WW	429
SERIES	SIZE	TERMINATION	POST LENGTH

TERMINATIONS:
CR: CRIMP
SC: SOLDER CUP
RP: ROUND POST
WW: WIRE WRAP

POST LENGTH:
WW: 429

VIEW UPDATES OF THIS INFORMATION AT WWW.IDINET.COM

Specifications subject to change without notice. Dimensions in inches (millimeters)

Mouser Electronics

Authorized Distributor

Click to View Pricing, Inventory, Delivery & Lifecycle Information:

[Smiths Interconnect:](#)

[R-00-W-500](#) [R-2-RP](#) [S-2-A-10-D D/C](#) [S-2-A-10-G D/C](#) [S-2-A-4-D S/C](#) [S-2-A-4-G S/C](#) [S-2-A-7-D D/C](#) [S-2-A-7-G D/C](#) [S-2-A-8.3-G D/C](#) [S-2-B-10-G D/C](#) [S-2-B-4-D S/C](#) [S-2-B-4-G S/C](#) [S-2-B-7-D D/C](#) [S-2-B-7-G D/C](#) [S-2-B-8.3-D D/C](#) [S-2-B-8.3-G D/C](#) [S-2-C-10-D D/C](#) [S-2-C-10-G D/C](#) [S-2-C-4-D S/C](#) [S-2-C-4-G S/C](#) [S-2-C-7-D D/C](#) [S-2-C-7-G D/C](#) [S-2-C-8.3-D D/C](#) [S-2-C-8.3-G D/C](#) [S-2-D-10-D D/C](#) [S-2-D-10-G D/C](#) [S-2-D-4-D S/C](#) [S-2-D-4-G S/C](#) [S-2-D-7-D D/C](#) [S-2-D-7-G D/C](#) [S-2-D-8.3-D D/C](#) [S-2-D-8.3-G D/C](#) [S-2-E-10-D D/C](#) [S-2-E-10-G D/C](#) [S-2-E-4-D S/C](#) [S-2-E-4-G S/C](#) [S-2-E-7-D D/C](#) [S-2-E-7-G D/C](#) [S-2-E-8.3-G D/C](#) [S-2-F-10-D D/C](#) [S-2-F-10-G D/C](#) [S-2-F-4-D S/C](#) [S-2-F-4-G S/C](#) [S-2-F-7-D D/C](#) [S-2-F-7-G D/C](#) [S-2-F-8.3-D D/C](#) [S-2-F-8.3-G D/C](#) [S-2-G-10-G D/C](#) [S-2-G-4-D S/C](#) [S-2-G-4-G S/C](#) [S-2-G-7-D D/C](#) [S-2-G-7-G D/C](#) [S-2-G-8.3-G D/C](#) [S-2-H-10-D D/C](#) [S-2-H-10-G D/C](#) [S-2-H-4-D S/C](#) [S-2-H-4-G S/C](#) [S-2-H-7-D D/C](#) [S-2-H-7-G D/C](#) [S-2-H-8.3-D D/C](#) [S-2-H-8.3-G D/C](#) [S-2-HS-4-G S/C](#) [S-2-HT-4-G S/C](#) [S-2-J-10-D D/C](#) [S-2-J-10-G D/C](#) [S-2-J-4-D S/C](#) [S-2-J-7-D D/C](#) [S-2-J-7-G D/C](#) [S-2-J-8.3-D D/C](#) [S-2-J-8.3-G D/C](#) [S-2-K-10-D D/C](#) [S-2-K-10-G D/C](#) [S-2-K-4-D S/C](#) [S-2-K-4-G S/C](#) [S-2-K-7-D D/C](#) [S-2-K-7-G D/C](#) [S-2-K-8.3-G D/C](#) [S-2-T-10-G D/C](#) [S-2-T-4-D S/C](#) [S-2-T-4-G S/C](#) [S-2-T-7-D D/C](#) [S-2-T-7-G D/C](#) [S-2-T-8.3-D D/C](#) [S-2-T-8.3-G D/C](#) [S-2-V-10-D D/C](#) [S-2-V-10-G D/C](#) [S-2-V-4-D S/C](#) [S-2-V-7-D D/C](#) [S-2-V-7-G D/C](#) [S-2-V-8.3-D D/C](#) [S-2-V-8.3-G D/C](#) [S-2-X-10-D D/C](#) [S-2-X-10-G D/C](#) [S-2-X-4-D S/C](#) [S-2-X-7-D D/C](#) [S-2-X-7-G D/C](#) [S-2-X-8.3-D D/C](#) [S-2-X-8.3-G D/C](#) [S-2-V-4-G S/C](#) [RX-075-WW-694](#) [RXL-1-WW-694](#)