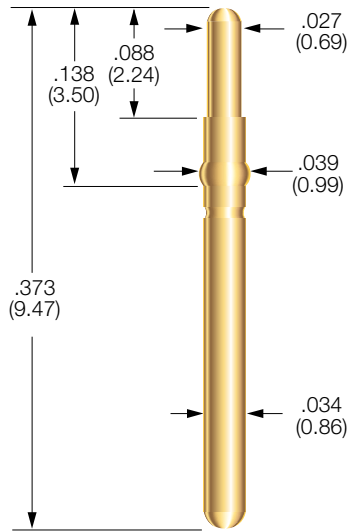
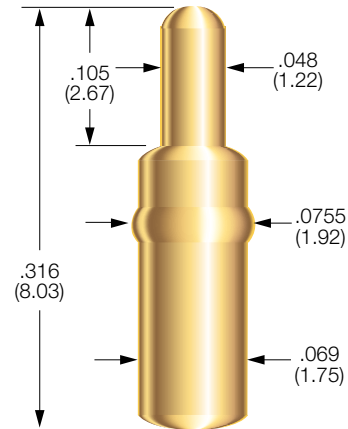


Battery and Connector Probes

100803 PROBE



101190 PROBE



PROBE SPECIFICATIONS

Minimum Centers: .050 (1.27)
Current Rating: 5 amps continuous
 (Individual probe in free air @ ambient temperature)
Spring Force: 1.2 oz. (34g) @ .050 (1.27) travel
Typical Resistance: < 50 mΩ
Maximum Travel: .060 (1.52)
Working Travel: .050 (1.27)

MATERIALS

Barrel: Nickel/silver, gold plated
Spring: Stainless steel, gold plated
Plunger: Beryllium copper, gold plated

PROBE SPECIFICATIONS

Minimum Centers: .100 (2.54)
Current Rating: 15 amps continuous
 (Individual probe in free air @ ambient temperature)
Spring Force: 2.6 oz. (74g) @ .067 (1.70) travel
Typical Resistance: < 6 mΩ
Maximum Travel: .100 (2.54)
Working Travel: .067 (1.70)

MATERIALS

Barrel: Nickel/silver, gold plated
Spring: Stainless steel
Plungers: Beryllium copper, gold plated

HOW TO ORDER

100803-011

HOW TO ORDER

101190-002

Specifications subject to change without notice. Dimensions in inches (millimeters)

Mouser Electronics

Authorized Distributor

Click to View Pricing, Inventory, Delivery & Lifecycle Information:

[Smiths Interconnect:](#)

[100803-11](#) [101190-002](#)