

CATALOG LISTING  
**176PCH SERIES CHART 1**

PAGE 1 OF 1

ISSUE 7

CMH

CHECK

REVISIONS

A 201670

TSM 15NOV00

B 205984

DLT 15 JUL 02

C 0033081

DDN 27 AUG 07

CHECK

15NOV00

SAV

CHECK

15NOV00

PTC/CAD 2D

DRAWN

TSM 15NOV00

CHECK

REPLACES

RELEASE NO. CO-74682

27 AUG 07

CMH

CHECK

15NOV00

SAV

CHECK

15NOV00

PTC/CAD 2D

DRAWN

TSM 15NOV00

CHECK

REPLACES

15NOV00

SAV

CHECK

15NOV00

PTC/CAD 2D

DRAWN

TSM 15NOV00

CHECK

REPLACES

15NOV00

SAV

CHECK

15NOV00

PTC/CAD 2D

DRAWN

TSM 15NOV00

CHECK

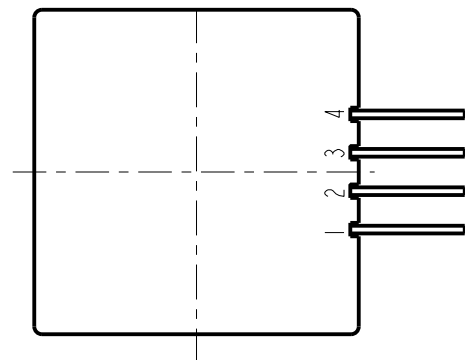
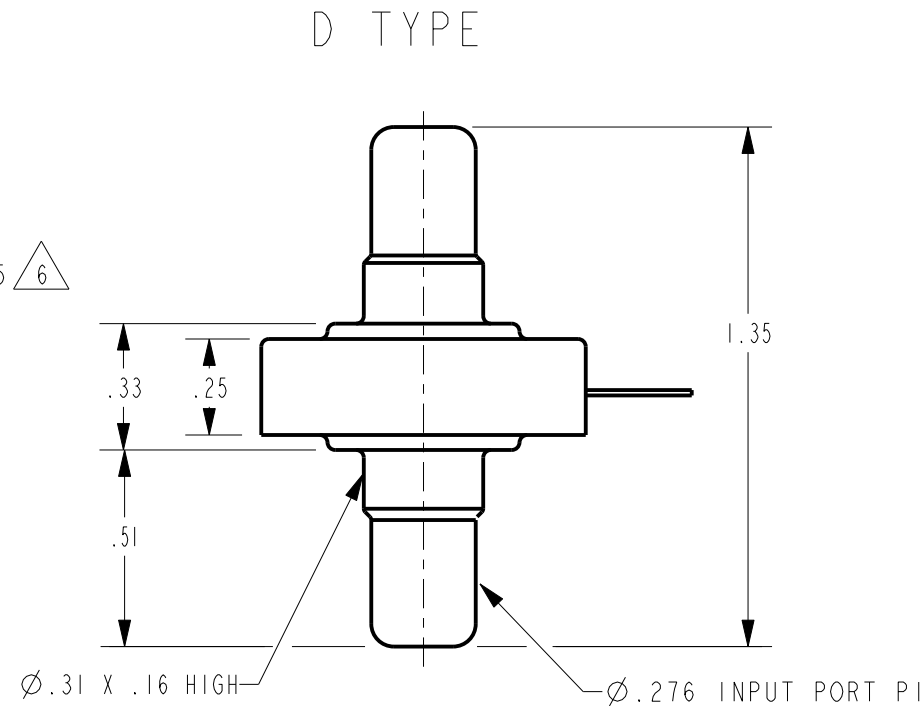
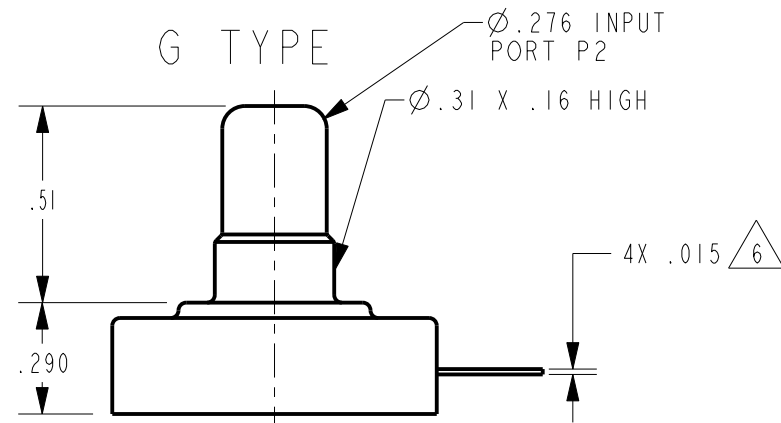
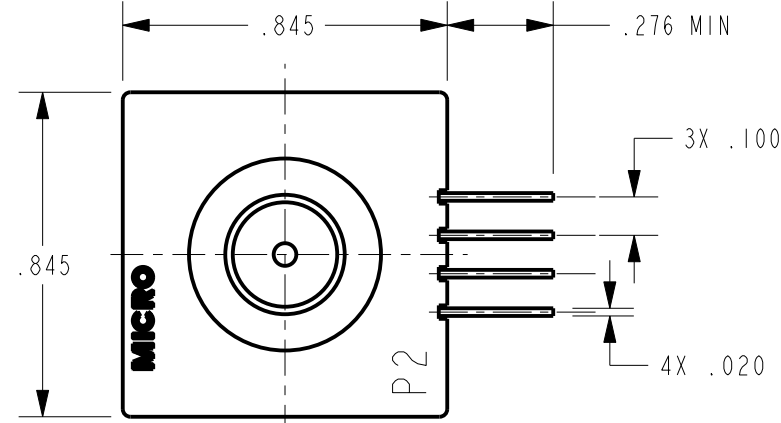
REPLACES

CATALOG LISTING

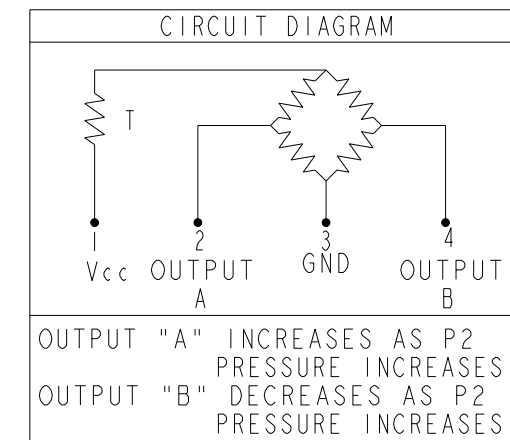
176PC07HD2
176PC14HG2
176PC14HD2
176PC28HG2
176PC28HD2

**GENERAL OPERATING CHARACTERISTICS**  
(ELECTRICAL PERFORMANCE AT 10.00±0.01 VDC EXCITATION, 25°C)

PARAMETERS	PRESSURE RANGES (H <sub>2</sub> O)	MIN	TYP	MAX	UNITS
NULL OFFSET	ALL	-2	0	+2	mV
NULL SHIFT $\triangle 2$ 0° ← 25° C → 50°			±3.0		
(P <sub>2</sub> > P <sub>1</sub> ) SPAN $\triangle 1$	0 TO 28 D&G	40	42	44	mV
	0 TO 14 D&G	33	35	37	
	0 TO 07 D&G	26	28	30	
(P <sub>2</sub> > P <sub>1</sub> ) SENSITIVITY PER IN. H <sub>2</sub> O	0 TO 28 D&G		1.5		%SPAN
	0 TO 14 D&G		2.5		
	0 TO 07 D&G		4.0		
SPAN SHIFT $\triangle 2$ 0° ← 25° C → 50° AT 10 VDC AT 2mA	ALL			±3.5	%SPAN
			NONE		
LINEARITY (BFSL)	(P <sub>2</sub> > P <sub>1</sub> ) 0 TO 28 D&G			±3.0	%SPAN
	(P <sub>1</sub> > P <sub>2</sub> ) 0 TO 28 D			±1.5	
	(P <sub>2</sub> > P <sub>1</sub> ) 0 TO 14 D&G			±3.0	
	(P <sub>1</sub> > P <sub>2</sub> ) 0 TO 14 D			±1.5	
	(P <sub>2</sub> > P <sub>1</sub> ) 0 TO 07 D&G			±3.0	
REPEATABILITY & HYSTERESIS	ALL			±0.25	%SPAN
				±1.5	
STABILITY OVER 1 YEAR				±1.5	%SPAN
EXCITATION VOLTAGE		10	16		VDC
INPUT RESISTANCE		6.3K			OHMS
(P <sub>2</sub> > P <sub>1</sub> ) (P <sub>1</sub> > P <sub>2</sub> ) OVERPRESSURE	0 TO 28 D&G			140	IN. H <sub>2</sub> O
	0 TO 14 D&G			140	
	0 TO 07 D&G			140	
TEMPERATURE STORAGE	ALL	-55° TO +125°C (-67° TO +257°F)			
OPERATE		-40° TO +85°C (-40° TO +185°F)			
COMPENSATED		0°C TO +50°C (+32° TO +122°F)			



- NOTES
- SPAN IS THE ALGEBRAIC DIFFERENCE BETWEEN END POINTS (OUTPUT AT MINIMUM AND MAXIMUM PRESSURE)
  - TEMPERATURE ERROR IS CALCULATED WITH RESPECT TO 25°C AND EXPRESSES THE DEVIATION THAT COULD OCCUR AS TEMPERATURE IS RAISED OR LOWERED TO LIMITS INDICATED
  - INPUT MEDIA: P<sub>1</sub> - DRY GASES ONLY: CONNECTION SIDE OF SENSOR  
P<sub>2</sub> - LIMITED ONLY TO THOSE MEDIA THAT WILL NOT ATTACK POLYESTER, SILICON OR SILICONE BASED ADHESIVE
  - TERMINALS ARE PLATED FOR SOLDERING
  - LIMIT SOLDERING TO 315°C FOR 10 SECONDS MAX
  - LISTINGS ENDING WITH THE NUMBER 2 INDICATES STRAIGHT LEADS



THIRD ANGLE PROJECTION

SCALE 2 : 1

DO NOT SCALE PRINT

UNLESS OTHERWISE SPECIFIED TOLERANCES ARE

ONE PLACE (.0)	±.030
TWO PLACE (.00)	±.015
THREE PLACE (.000)	±.005
ANGLES	±

WEIGHT 2 OZ

# Mouser Electronics

Authorized Distributor

Click to View Pricing, Inventory, Delivery & Lifecycle Information:

[Honeywell:](#)

[176PC07HD2](#) [176PC14HD2](#) [176PC14HG2](#) [176PC28HD2](#) [176PC28HG2](#)