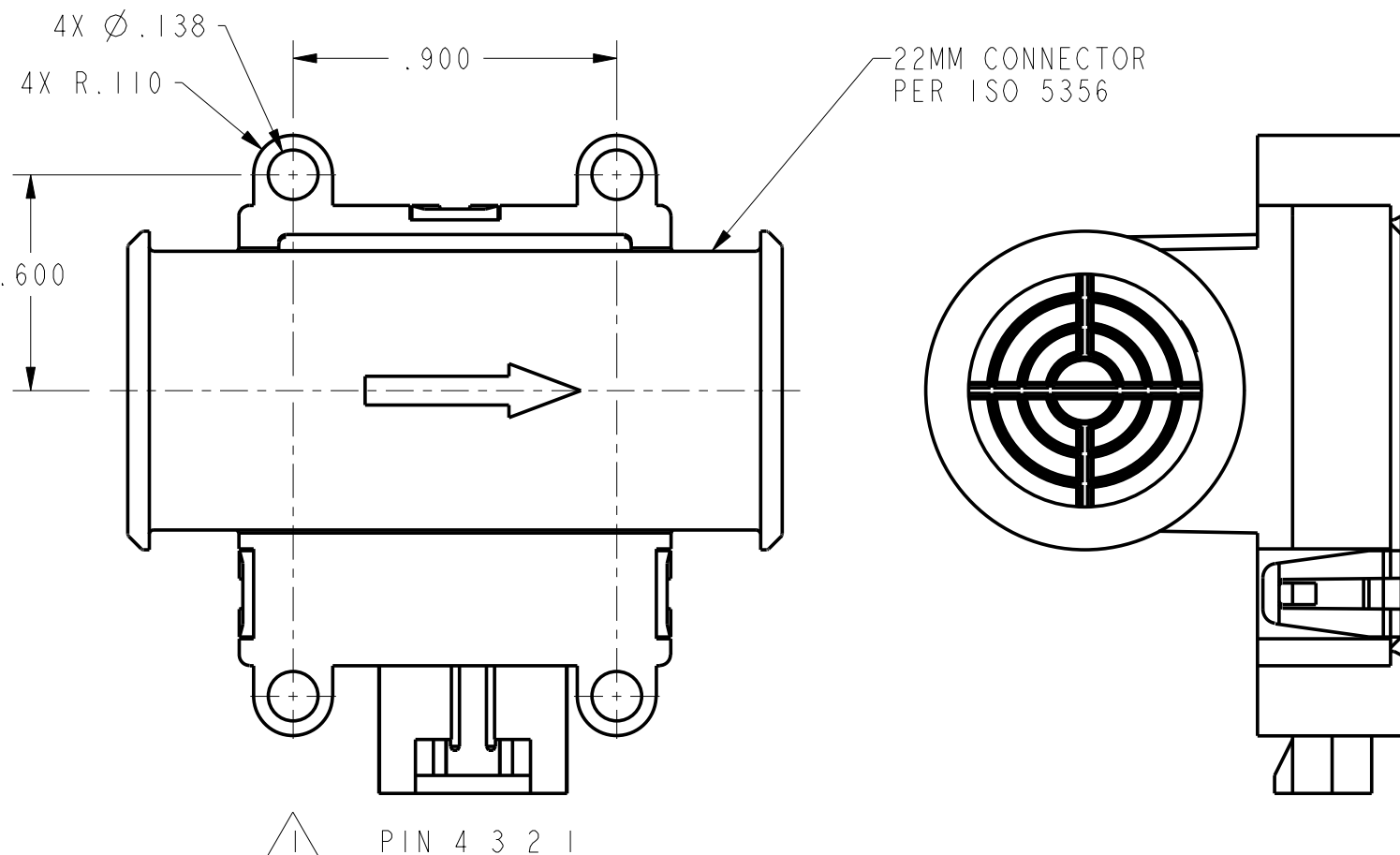


HONEYWELL
PART NUMBER

AWM730B5

REV	DOCUMENT	CHANGED BY	CHECK
A	0013268	VSY 07JUL05	PM



Flow Sensor Specification				
Items	Specifications			
Sensor Type	Mass Flow			
Flow Range	-300 SLPM to +300 SLPM			
Excitation	4.5 to 5.5 VDC Ratiometric Output			
Power Supply	9 to 16 VDC			
Output Range	0.5 to 4.5 VDC nominal, 0.1 to 4.9 VDC worst case @ 5 VDC ± 0.01 VDC excitation. Zero flow output to be 2.5 VDC			
	0 SLPM	100 SLPM	200 SLPM	300 SLPM
	VDC	VDC	VDC	VDC
Nominal	2.500	3.600	4.150	4.500
Tol	± 0.090	± 0.180	± 0.180	± 0.360
Monotonic Measurement Output	Non-decreasing sensor output for flow measurement range			
Reference Error Breakdown at 5 VDC excitation	<ul style="list-style-type: none"> Null temperature drift: ± 0.02 VDC from 5°C to 25°C, 25°C to 60°C Span temperature drift: ± 2.5% reading from 5°C to 25°C, 25°C to 60°C Repeatability & Hysteresis: ± 0.035 VDC typical Humidity Error: ± 0.010 VDC typical from 10% to 95% relative humidity (non-condensing) Long term drift on Null: ± 0.015 VDC typical in 5 yrs Long term drift on Span: ± 1.0% VDC typical in 5 yrs Null Error: ± 0.05 VDC Span Error: ± 0.18 VDC 			
Operating Temperature	5° to 60°C			
Calibration Temperature	25°C ± 3°C			
Storage Temperature	-40°C to +90°C			
Response Time	< 10ms 10 – 90% typical			
Pressure Drop at 200 SLPM	< 3 cmH ₂ O			
Orientation Sensitivity	< 0.005 VDC variation at 5 VDC excitation between any two directions. Typical			
Warm-up Time	< 5 seconds typical			
Minimum Proof Pressure	± 150 cmH ₂ O			

NOTES

- 1 PIN 1 = +15V
- PIN 2 = GND
- PIN 3 = +5
- PIN 4 = OUTPUT
- 2 CUSTOMER CHANGE NOTIFICATION IS REQUIRED

DESIGN UNITS: INCH	DRAWN	VSY	07/07/05
TOLERANCES UNLESS NOTED:	CHECK	PM	07/07/05
NO PLACE X ± .040	THIS DRAWING COVERS A PROPRIETARY ITEM AND IS THE PROPERTY OF HONEYWELL. THIS DRAWING IS NOT TO BE COPIED OR USED WITHOUT THE PERMISSION OF HONEYWELL.		
ONE PLACE .X ± .030			
TWO PLACE .XX ± .015			
THREE PLACE .XXX ± .005			
FOUR PLACE .XXXX ±			
ANGLES X ± 3	INTERPRET PER ASME Y14.5M-1994 OTHER HONEYWELL ENGINEERING STANDARDS MAY APPLY		
THIRD ANGLE PROJECTION	Pro/ENGINEER	3D	SCALE -

Honeywell			
TITLE MASS AIRFLOW SENSOR, -			
SIZE	TYPE	DRAWING NAME	REV
B	I	AWM730B5	A
SHEET		1 OF 1	

Mouser Electronics

Authorized Distributor

Click to View Pricing, Inventory, Delivery & Lifecycle Information:

[Honeywell:](#)

[AWM730B5](#)