

MICRO SWITCH

FREEPORT ILLINOIS, U.S.A
A DIVISION OF HONEYWELL
FED. MFG. CODE 91929

SWITCH - BASIC

CATALOG LISTING

BZ-2R291-P4

AGR9153

BZ-2R291-P4

PAGE 1 OF 1

M

DRAWING NUMBER

6

ISSUE

REPLACES

RELEASE NO. PR-13091

CHECK

29 AUG 05

RJ

CHECK

29 AUG 05

6

KAG

CHECK

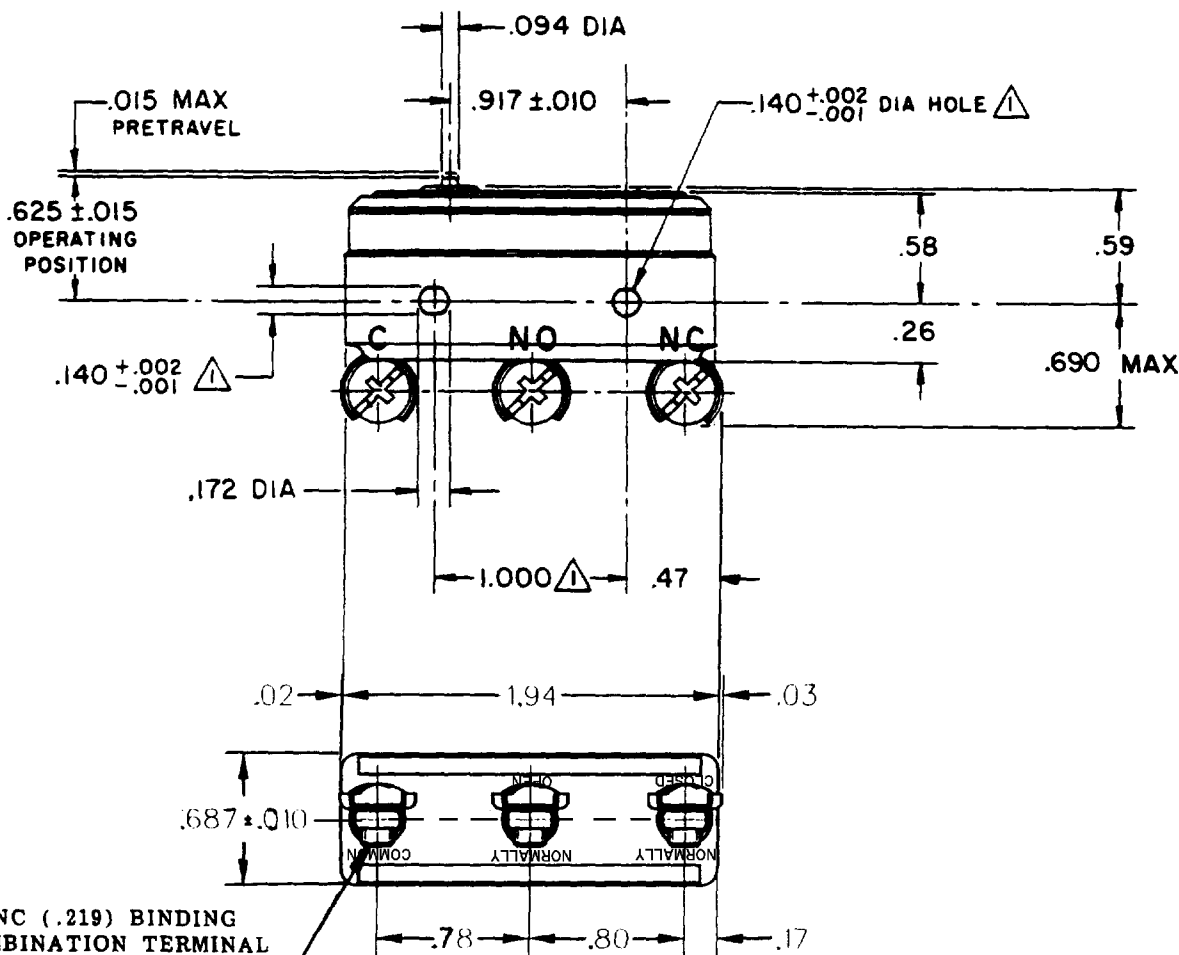
5 JUN 84

WJM

DRAWN

REVISIONS

A	CO-75287-6	J A I	20 OCT 93
B	CO-75367B	K D R	3 MAR 94
C	CO-77863	G J W	2 MAY 96
D	CO93346	DLT	4 SEP 98
E	0015138	SFK	29 AUG 05

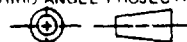


3X 8-32 UNC (.219) BINDING HEAD COMBINATION TERMINAL SCREW AND CUPWASHER

NOTE
▲ MOUNTING HOLES WILL ACCEPT PINS OR SCREWS OF .139 MAX DIA ON 1.000 ±.002 CENTERS

THIS DRAWING COVERS A PROPRIETARY ITEM AND IS THE PROPERTY OF MICRO SWITCH, A DIVISION OF HONEYWELL. THIS DRAWING IS NOT TO BE COPIED OR USED WITHOUT THE APPROVAL OF MICRO SWITCH.

THIRD ANGLE PROJECTION



CHARACTERISTICS

OPERATING FORCE - - - - - 9-13 OZ
RELEASE FORCE - - - - - 4 OZ MIN
DIFFERENTIAL TRAVEL - .0004-.0020
OVERTRAVEL - - - - - .005 MIN

ELECTRICAL DATA

CONTACT ARRANGEMENT
S P D T

CODE L96 15A-125, 250 OR 480 VAC
1/8 HP-125 VAC; 1/4 HP-250 VAC
1/2 A-125 VDC; 1/4 A-250 VDC

-L288-
-L306-
-L315-

CE EN05 EC RJ

16A 250V ~ T85 5E4

SCALE FULL

DO NOT SCALE PRINT

TOLERANCES
APPLY TO DESIGN UNITS. CONVERSIONS ARE ONLY FOR REFERENCE. UNLESS NOTED, TOLERANCES ARE ±

	DIM.	TOL.	DIM.	TOL.
	mm	mm/in	in	mm/in
NO PLACES	X	1/.04		
ONE PLACE	X,X	0.4/.018	X,X	0.8/.03
TWO PLACES	X,XX	0.18/.008	X,XX	0.38/.015
THREE PLACES	X,XXX	0.13/.006	X,XXX	0.13/.006
ANGLES				

DESIGN UNITS SI METRIC US CUSTOMARY

WEIGHT .074 LB

FORMTEK

FO-52848-A

Mouser Electronics

Authorized Distributor

Click to View Pricing, Inventory, Delivery & Lifecycle Information:

[Honeywell:](#)

[BZ-2R291-P4](#)