

OPERATING CHARACTERISTICS $\triangle 1$ $\triangle 5$

OPERATE MAX	25 GAUSS
RELEASE MIN	5 GAUSS
DIFF MIN	2 GAUSS
(TEMP RANGE -40°C TO 85°C)	

ABSOLUTE MAXIMUM RATINGS

SUPPLY VOLTAGE (V _S) $\triangle 7$	3.8 VDC TO 30 VDC
VOLTAGE EXTERNALLY APPLIED TO OUTPUT	+30 VOLTS DC MAX WITH SWITCH IN "OFF" CONDITION ONLY -0.5 VOLTS MAX WITH SWITCH IN "OFF" OR "ON" CONDITION
OUTPUT CURRENT	20 mA
TEMPERATURE OPERATE AND STORAGE	-40°C TO 85°C
MAGNETIC FLUX	NO LIMIT, THE CIRCUIT CANNOT BE DAMAGED BY MAGNETIC OVERDRIVE

ELECTRICAL CHARACTERISTICS

	MIN	TYP	MAX	REMARKS
SUPPLY CURRENT $\triangle 4$		6.0 mA	11.0 mA	V _S = 6-24 VOLTS $\triangle 7$
OUTPUT VOLTAGE $\triangle 5$ (OPERATED)		0.25 V	0.4 V	SINKING 20 mA MAX PER OUTPUT
OUTPUT LEAKAGE CURRENT (RELEASED) $\triangle 5$			10 μ A	LEAKAGE INTO SWITCH OUTPUT
OUTPUT SWITCHING TIME				
RISE TIME $\triangle 5$		0.2 μ SEC	1.5 μ SEC	10% TO 90%
FALL TIME		0.1 μ SEC	1.5 μ SEC	90% TO 10%

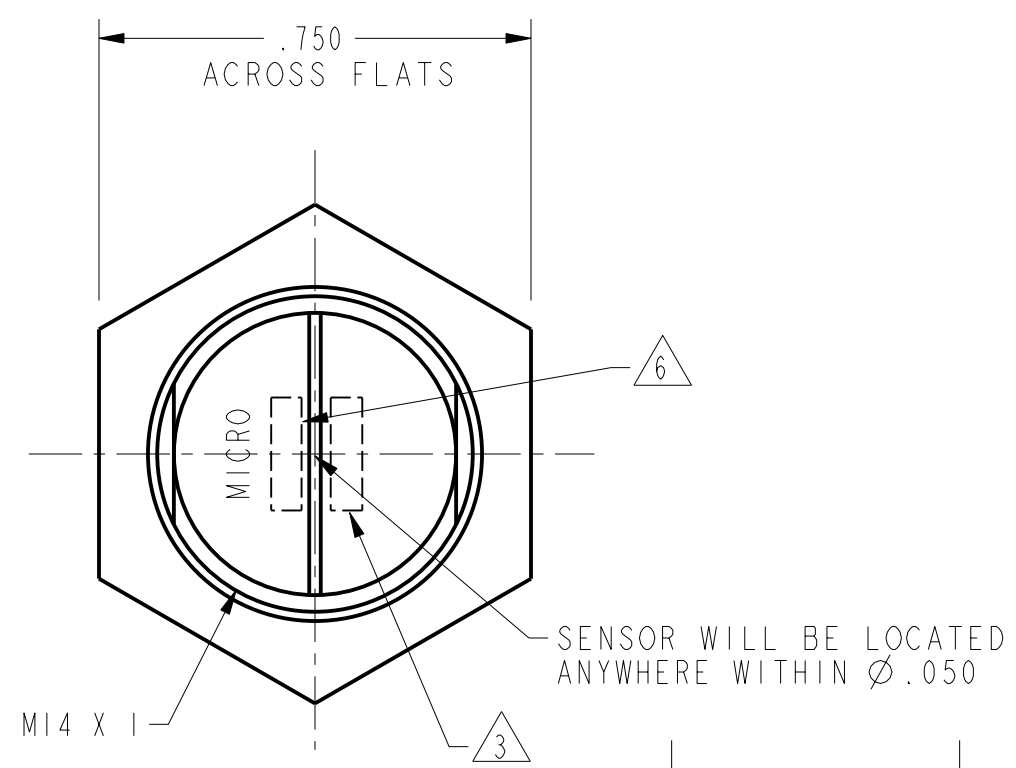
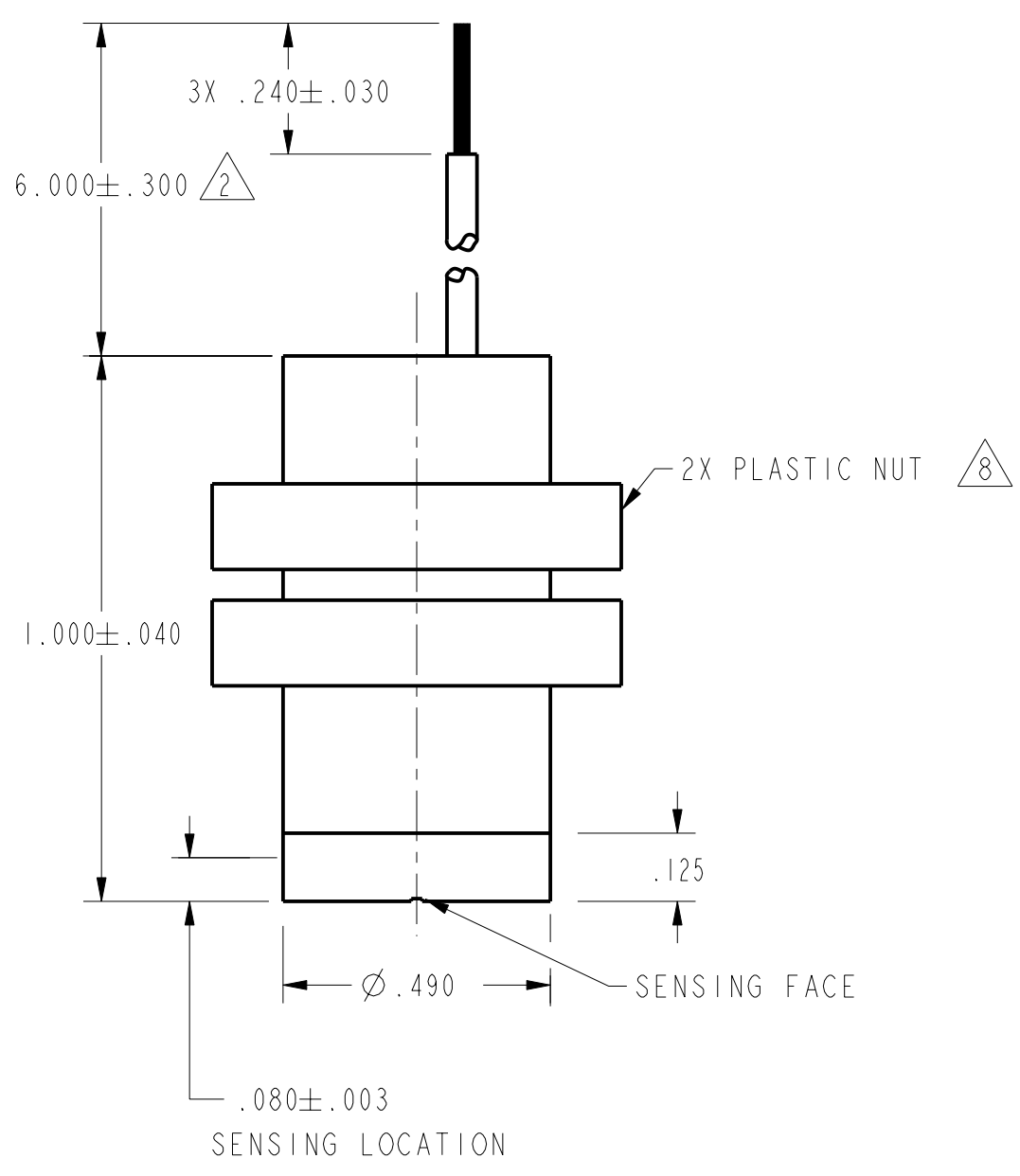


FIG. 1

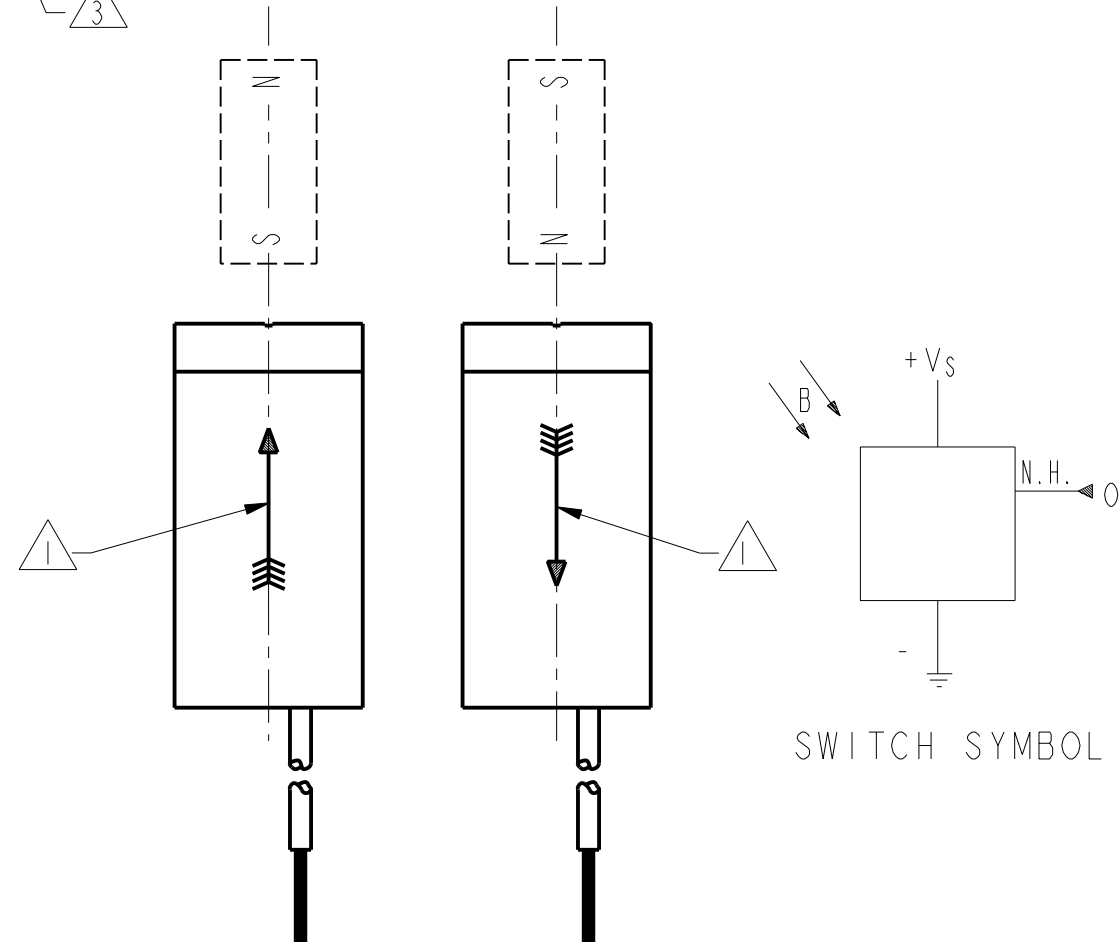
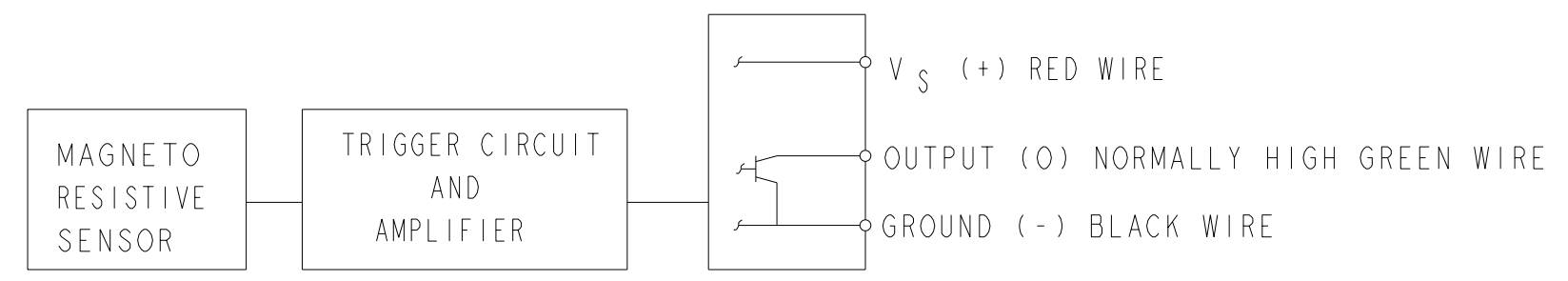


FIG. 2
OPERATE



BLOCK DIAGRAM SHOWING CURRENT SINKING OUTPUTS

NOTES

- $\triangle 1$ FLUX ENTERING THE SOUTH POLE OR THE NORTH POLE OF THE MAGNET WILL OPERATE THE SENSOR WHEN MAGNET IS POSITIONED AS SHOWN IN FIGURE 2. THIS ASSUMES THE CONVENTION THAT THE DIRECTION OF THE EXTERNAL FLUX OF A MAGNET IS FROM THE NORTH TO THE SOUTH POLE OF THE MAGNET
- $\triangle 2$ LEADWIRES (INDIVIDUAL WIRES) ARE 24 GAGE STRANDED WITH XLPE INSULATION
- $\triangle 3$ DATE CODE LOCATED IN THIS AREA
- $\triangle 4$ SUPPLY CURRENT RATINGS MEASURED AT TEMPERATURES INDICATED "TYP" 24°C ± 2°C. "MAX" -40°C/85°C
- $\triangle 5$ AT SUPPLY VOLTAGE OF 3.8 TO 30 VOLTS AND TEMPERATURE RANGE OF -40°C TO +85°C
- $\triangle 6$ CATALOG LISTING LOCATED IN THIS AREA
- $\triangle 7$ V_S IS THE UNREGULATED SUPPLY VOLTAGE
- $\triangle 8$ TORQUE ON PLASTIC NUTS MUST NOT EXCEED 12 INCH POUNDS
- 9 - THE MAGNETIC CHARACTERISTICS OF THE SWITCH MAY BE AFFECTED BY STRAY MAGNETIC FIELDS

P.T.C./CAD 20
 DRAWN 30 JUN 99
 CHECK JAF
 TSM 30 JUN 99
 CHECK
 REVISIONS
 DRAWING NUMBER
 SR4P3-A1
 1
 RELEASE NO. PR-24122
 OF
 REPLACES SR4P2-A1

MICRO SWITCH a Honeywell Division FED. MFG. CODE 91929	MAGNETICALLY OPERATED CYLINDRICAL HALL SWITCH	CATALOG LISTING
		SR4P3-A1

THIRD ANGLE PROJECTION		
SCALE 3 : 1		
DO NOT SCALE PRINT		
UNLESS OTHERWISE SPECIFIED TOLERANCES ARE		
ONE PLACE	(.0)	± .030
TWO PLACES	(.00)	± .015
THREE PLACES	(.000)	± .005
ANGLES		±
WEIGHT		

Mouser Electronics

Authorized Distributor

Click to View Pricing, Inventory, Delivery & Lifecycle Information:

[Honeywell:](#)

[SR4P3-A1](#)