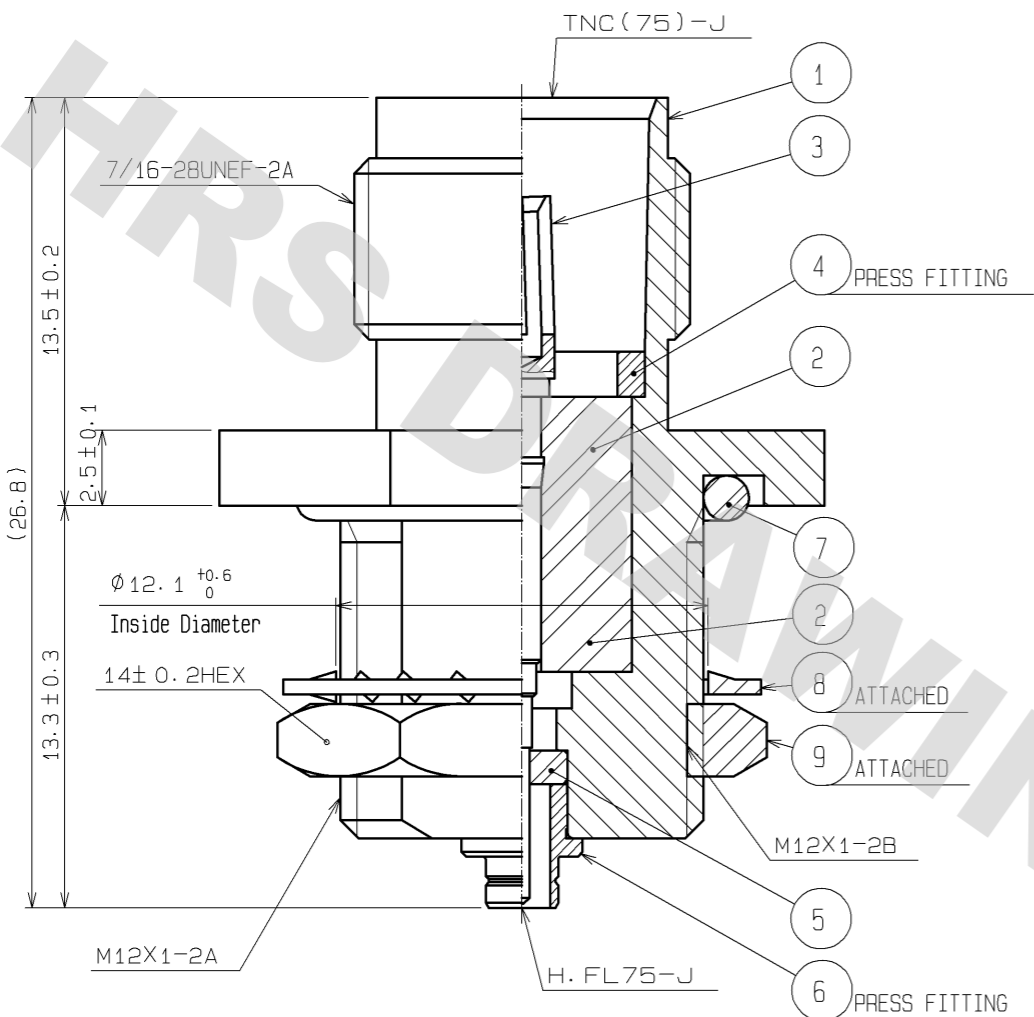
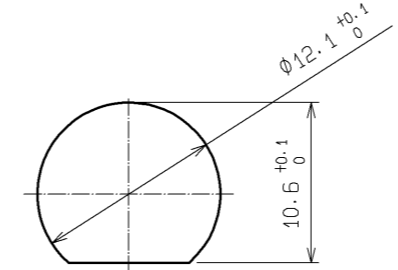


DRAWING FOR REFERENCE: This is subject to change without notice
08/11/2012



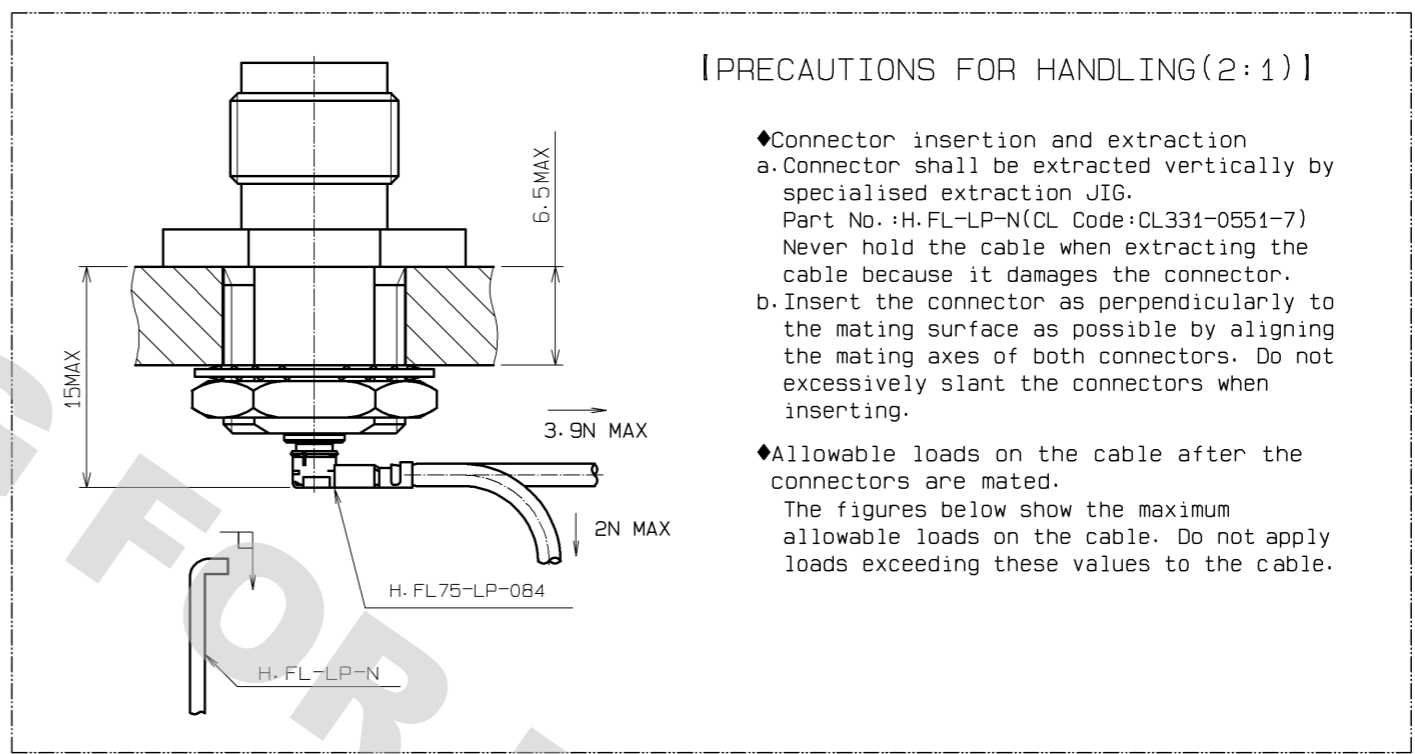
PANEL CUTOUT (2:1)



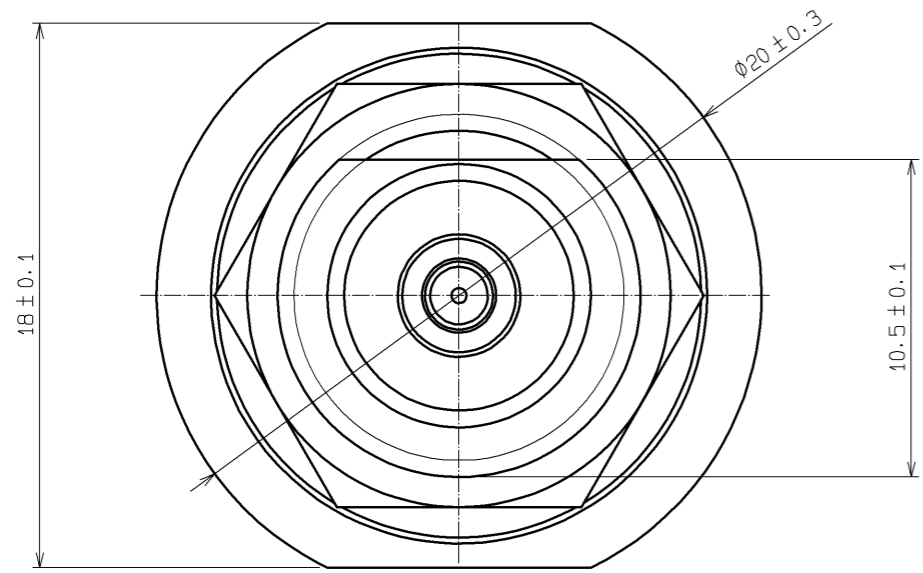
PANEL THICKNESS
1.0~6.5

RECOMMENDED TIGHTENING TORQUE
OF REF.No ⑨ [3N·m]

[PRECAUTIONS FOR HANDLING(2:1)]



- ◆Connector insertion and extraction
 - a.Connector shall be extracted vertically by specialised extraction JIG.
Part No.:H.FL-LP-N(CL Code:CL331-0551-7)
Never hold the cable when extracting the cable because it damages the connector.
 - b.Insert the connector as perpendicularly to the mating surface as possible by aligning the mating axes of both connectors. Do not excessively slant the connectors when inserting.
- ◆Allowable loads on the cable after the connectors are mated.
The figures below show the maximum allowable loads on the cable. Do not apply loads exceeding these values to the cable.



4	BRASS	NICKEL PLATING(2#m MIN)	9	BRASS	NICKEL PLATING(2#m MIN)
3	BERYLLIUM COPPER	GOLD PLATING (0.76#m MIN) ON NICKEL PLATING(2#m MIN)	8	STEEL	NICKEL PLATING(2#m MIN)
2	PTFE		7	SILICONE RUBBER	
1	BRASS	NICKEL PLATING(2#m MIN)	6	BRASS	NICKEL PLATING(2#m MIN)
NO.	MATERIAL	FINISH. REMARKS	NO.	MATERIAL	FINISH. REMARKS

UNITS mm		SCALE 4:1	COUNT △	DESCRIPTION OF REVISIONS	DESIGNED	CHECKED	DATE
HIROSE ELECTRIC CO., LTD.				APPROVED : MH. YAMANE 08.06.20 CHECKED : NK. NINOMIYA 08.06.19 DESIGNED : TS. SAWAI 08.06.18 DRAWN : TS. SAWAI 08.06.18	DRAWING NO. EDC4-317936-00 PART NO. TNC(75)J-H.FLJ-WBPA CODE NO. CL311-0434-9-00		

Mouser Electronics

Authorized Distributor

Click to View Pricing, Inventory, Delivery & Lifecycle Information:

[Hirose Electric:](#)

[TNC\(75\)J-H.FLJ-WBPA](#)