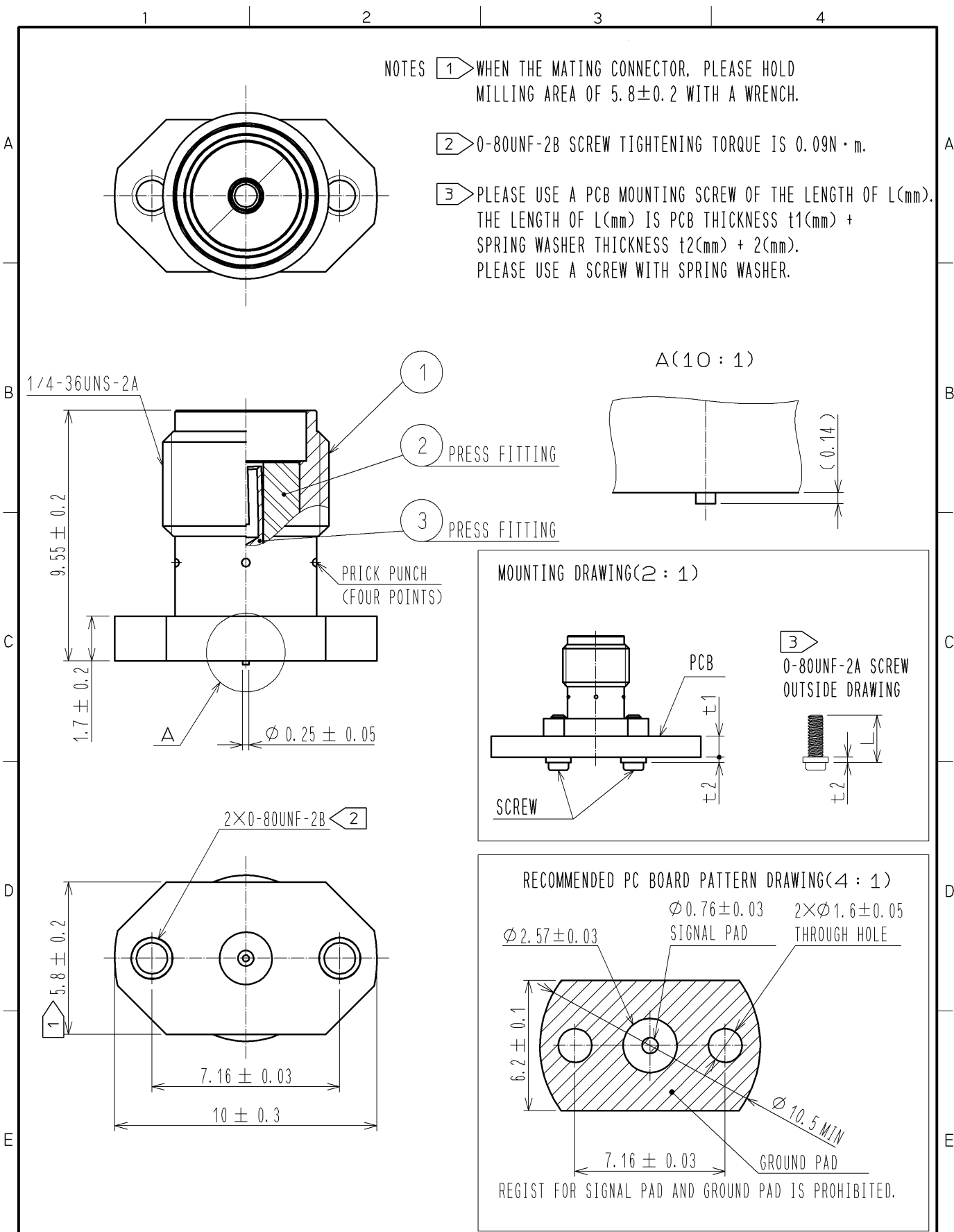


APPLICABLE STANDARD					
RATING	OPERATING TEMPERATURE RANGE	-55°C TO +85°C(95%RH MAX)	STORAGE TEMPERATURE RANGE	-55°C TO +85°C(95%RH MAX)	
	POWER	— W	CHARACTERISTIC IMPEDANCE	50 Ω (0 TO 28 GHz)	
	PECULIARITY	—	APPLICABLE CABLE	—	
SPECIFICATIONS					
ITEM	TEST METHOD		REQUIREMENTS	QT	AT
CONSTRUCTION					
GENERAL EXAMINATION	VISUALLY AND BY MEASURING INSTRUMENT.		ACCORDING TO DRAWING.	X	X
MARKING	CONFIRMED VISUALLY.			—	—
ELECTRIC CHARACTERISTICS					
CONTACT RESISTANCE	100 mA MAX (DC OR 1000 Hz).	CENTER CONTACT	4 mΩ MAX.	X	X
		OUTER CONTACT	4 mΩ MAX.	X	X
INSULATION RESISTANCE	500 V DC.	5000 MΩ MIN.		X	X
VOLTAGE PROOF	1000 V AC FOR 1 min.CURRENT LEAKAGE 2mA MAX.	NO FLASHOVER OR BREAKDOWN.		X	X
VOLTAGE STANDING WAVE RATIO	FREQUENCY 0.045 TO 28 GHz.	VSWR 1.4 MAX. (0.045 TO 18GHz)		X	—
		VSWR 1.5 MAX. (18 TO 20GHz)			
		VSWR 1.7 MAX. (20 TO 28GHz)			
INSERTION LOSS	FREQUENCY TO GHz	dB MAX.		—	—
MECHANICAL CHARACTERISTICS					
CONTACT INSERTION AND EXTRACTION FORCES	EXTRACTION GAUGE: $\phi 0.9017 \begin{smallmatrix} 0 \\ -0.0025 \end{smallmatrix}$ STEEL GAUGE.	INSERTION FORCE	N MAX.	—	—
		EXTRACTION FORCE	0.3 N MIN.	X	X
INSERTION AND WITHDRAWAL FORCES	MEASURED BY APPLICABLE CONNECTOR.	INSERTION FORCE	N MAX.	—	—
		EXTRACTION FORCE	N MIN.	—	—
MECHANICAL OPERATION	500 TIMES INSERTIONS AND EXTRACTIONS.	1) CONTACT RESISTANCE: CENTER CONTACT 6 mΩ MAX. OUTER CONTACT 6 mΩ MAX. 2) NO DAMAGE, CRACK AND LOOSENESS OF PARTS.		X	—
VIBRATION	FREQUENCY 10 TO 2000 Hz SINGLE AMPLITUDE 0.75 mm, 196 m/s ² AT 10 CYCLES FOR 3 DIRECTIONS.	1) NO ELECTRICAL DISCONTINUITY OF 1 μs. 2) NO DAMAGE, CRACK AND LOOSENESS OF PARTS.		X	—
SHOCK	1960 m/s ² DIRECTIONS OF PULSE 6 ms AT 3 TIMES FOR 3 DIRECTIONS.			X	—
ENVIRONMENTAL CHARACTERISTICS					
DAMP HEAT,CYCLIC	EXPOSED AT +25 TO +65 °C, 90~98 % TOTAL 10 CYCLES (240 h)	1) INSULATION RESISTANCE: 100 MΩ MIN. (AT HIGH HUMIDITY) 2) INSULATION RESISTANCE: 5000 MΩ MIN. (AT DRY) 3) NO DAMAGE, CRACK AND LOOSENESS OF PARTS.		X	—
RAPID CHANGE OF TEMPERATURE	TEMPERATURE -55 → -- → +85 → -- °C TIME 30 → 3 → 30 → 3 min. UNDER 5 CYCLES.	NO DAMAGE, CRACK AND LOOSENESS OF PARTS.		X	—
CORROSION SALT MIST	EXPOSED IN 5 % SALT WATER SPRAY FOR 48 h.	NO HEAVY CORROSION.		X	—
COUNT	DESCRIPTION OF REVISIONS	DESIGNED	CHECKED	DATE	
0					
REMARK			APPROVED	MH. YAMANE	12.02.10
RoHS COMPLIANT			CHECKED	MH. TSUCHIDA	12.02.10
THE COUPLING TIGHTENING TORQUE : 0.6 TO 0.8N·m			DESIGNED	RO. YOKOYAMA	12.02.09
			DRAWN	RO. YOKOYAMA	12.02.09
Note QT:Qualification Test AT:Assurance Test X:Applicable Test		DRAWING NO.	ELC4-339103-00		
HRS	SPECIFICATION SHEET	PART NO.	HRM (G) -300-468B-1		
	HIROSE ELECTRIC CO., LTD.	CODE NO.	CL323-0924-8-00		1/1



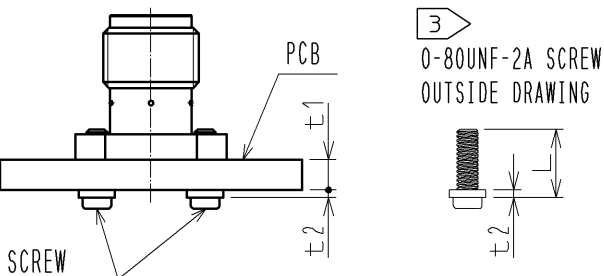
NOTES 1 WHEN THE MATING CONNECTOR, PLEASE HOLD MILLING AREA OF 5.8 ± 0.2 WITH A WRENCH.

2 0-80UNF-2B SCREW TIGHTENING TORQUE IS $0.09N \cdot m$.

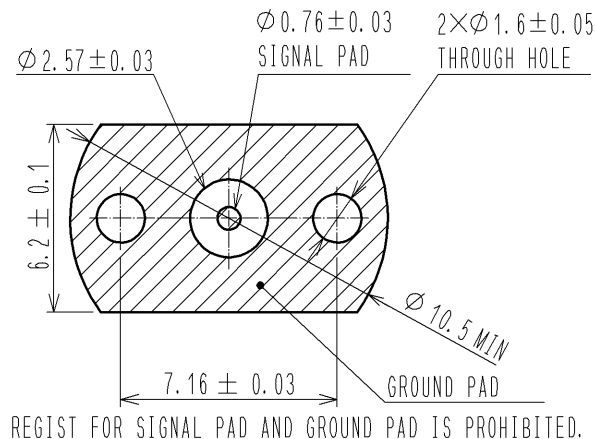
3 PLEASE USE A PCB MOUNTING SCREW OF THE LENGTH OF L(mm). THE LENGTH OF L(mm) IS PCB THICKNESS t_1 (mm) + SPRING WASHER THICKNESS t_2 (mm) + 2(mm). PLEASE USE A SCREW WITH SPRING WASHER.

A(10:1)

MOUNTING DRAWING(2:1)



RECOMMENDED PC BOARD PATTERN DRAWING(4:1)



RoHS COMPLIANT

2	PTFE			3	BERYLLIUM COPPER	GOLD PLATING		
1	BRASS	GOLD PLATING						
NO.	MATERIAL	FINISH	REMARKS	NO.	MATERIAL	FINISH	REMARKS	
	UNITS mm		SCALE 5:1		DESCRIPTION OF REVISIONS	DESIGNED	CHECKED	DATE
HIROSE ELECTRIC CO., LTD.		APPROVED	: MH. YAMANE	12.02.10	DRAWING NO.	EDC4-339103-00		
		CHECKED	: MH. TSUCHIDA	12.02.10	PART NO.	HRM(G)-300-468B-1		
		DESIGNED	: RO. YOKOYAMA	12.02.10	CODE NO.	CL323-0924-8-00		
		DRAWN	: RO. YOKOYAMA	12.02.10				

Mouser Electronics

Authorized Distributor

Click to View Pricing, Inventory, Delivery & Lifecycle Information:

[Hirose Electric:](#)

[HRM\(G\)-300-468B-1](#)