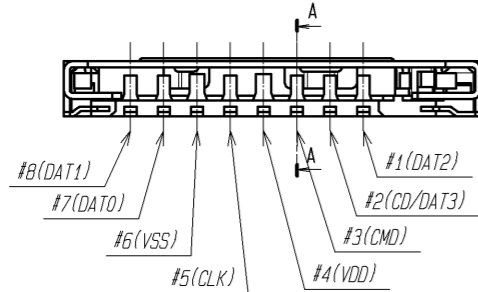
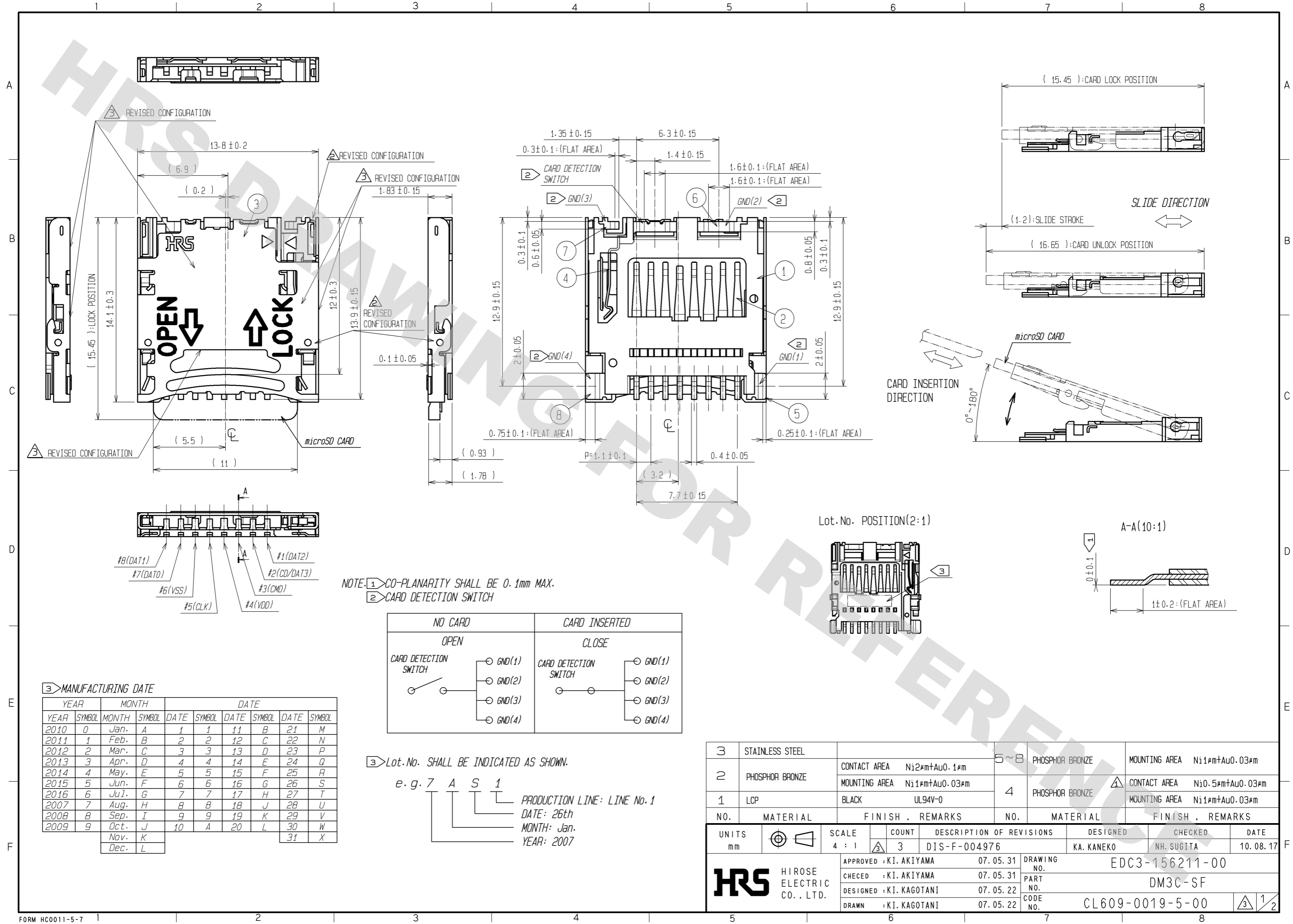
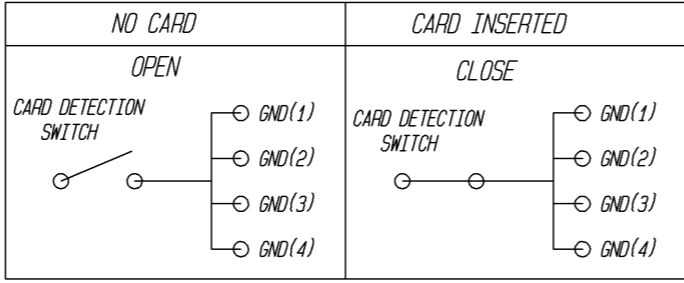


DRAWING FOR REFERENCE: This is subject to change without notice
08/11/2012



NOTE: ① CO-PLANARITY SHALL BE 0.1mm MAX.
② CARD DETECTION SWITCH



③ Lot.No. SHALL BE INDICATED AS SHOWN.
e. g. 7 A S 1
PRODUCTION LINE: LINE No. 1
DATE: 26th
MONTH: Jan.
YEAR: 2007

③ MANUFACTURING DATE

YEAR	MONTH	DATE							
YEAR	SYMBOL	MONTH	SYMBOL	DATE	SYMBOL	DATE	SYMBOL	DATE	SYMBOL
2010	0	Jan.	A	1	1	11	B	21	M
2011	1	Feb.	B	2	2	12	C	22	N
2012	2	Mar.	C	3	3	13	D	23	P
2013	3	Apr.	D	4	4	14	E	24	Q
2014	4	May.	E	5	5	15	F	25	R
2015	5	Jun.	F	6	6	16	G	26	S
2016	6	Ju.	G	7	7	17	H	27	T
2007	7	Aug.	H	8	8	18	J	28	U
2008	8	Sep.	I	9	9	19	K	29	V
2009	9	Oct.	J	10	A	20	L	30	W
		Nov.	K					31	X
		Dec.	L						

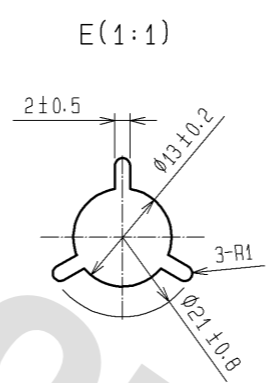
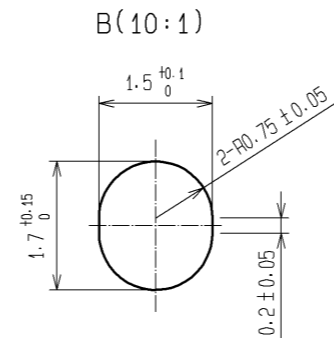
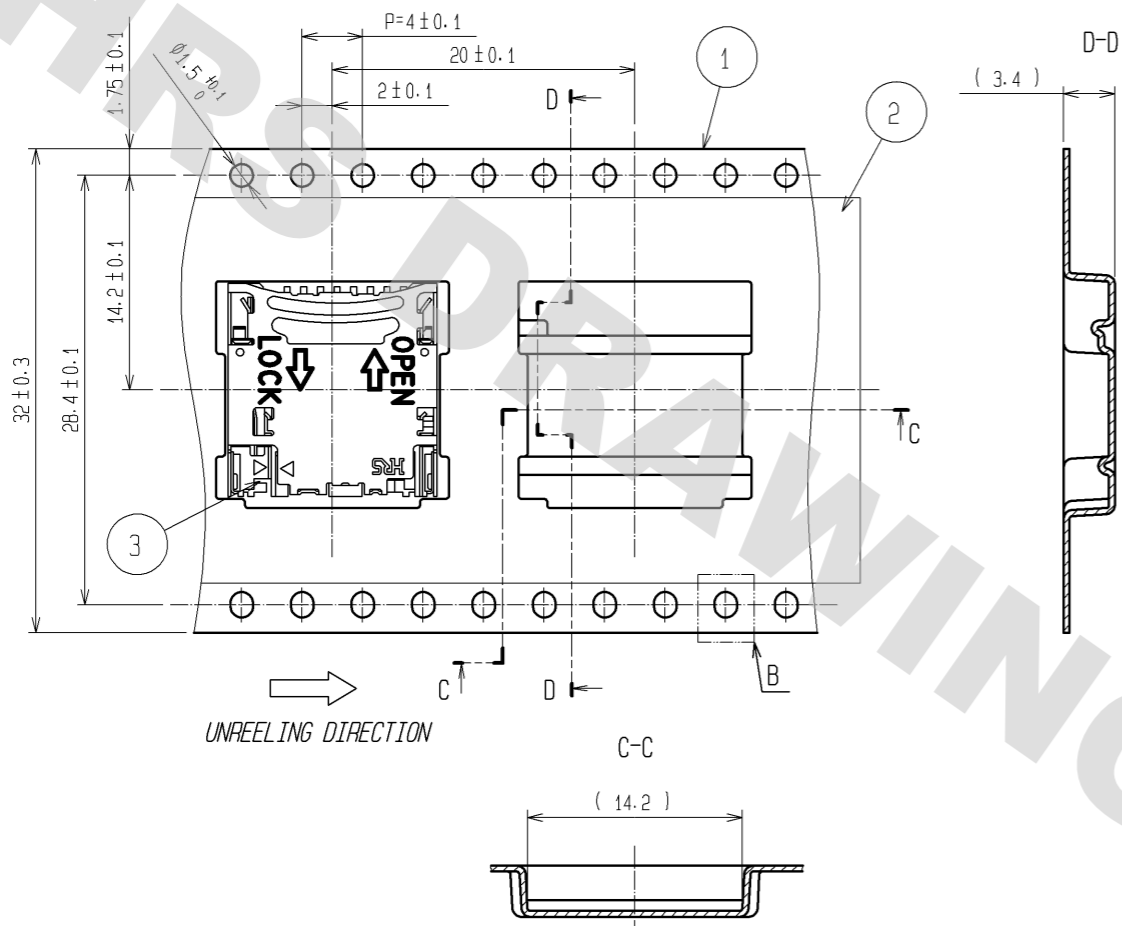
NO.	MATERIAL	FINISH	REMARKS	NO.	MATERIAL	FINISH	REMARKS
3	STAINLESS STEEL			5~8	PHOSPHOR BRONZE		MOUNTING AREA Ni1#m+Au0.03#m
2	PHOSPHOR BRONZE	CONTACT AREA	Ni2#m+Au0.1#m	4	PHOSPHOR BRONZE	CONTACT AREA	Ni0.5#m+Au0.03#m
		MOUNTING AREA	Ni1#m+Au0.03#m			MOUNTING AREA	Ni1#m+Au0.03#m
1	LCP	BLACK	UL94V-0				

UNITS	SCALE	COUNT	DESCRIPTION OF REVISIONS	DESIGNED	CHECKED	DATE
mm	4 : 1	3	DIS-F-004976	KA. KANEKO	NH. SUGITA	10. 08. 17

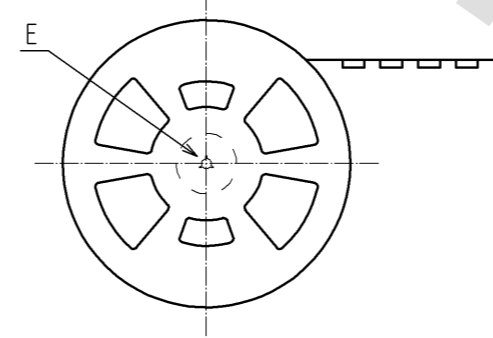
APPROVED	DATE	DRAWING NO.
: KI. AKIYAMA	07. 05. 31	EDC3-156211-00
CHECED	DATE	PART NO.
: KI. AKIYAMA	07. 05. 31	DM3C-SF
DESIGNED	DATE	CODE NO.
: KI. KAGOTANI	07. 05. 22	CL609-0019-5-00
DRAWN	DATE	
: KI. KAGOTANI	07. 05. 22	

DRAWING FOR REFERENCE: This is subject to change without notice
08/11/2012

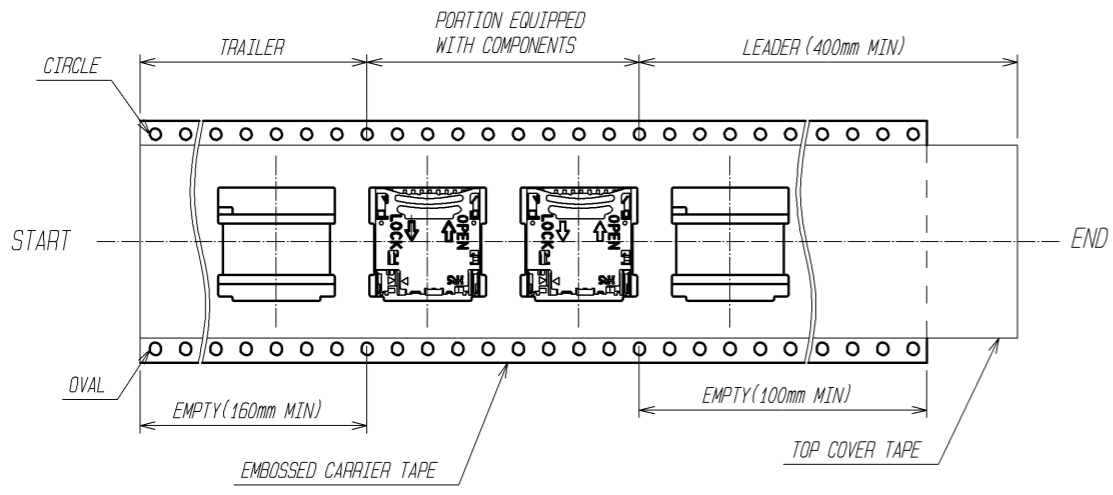
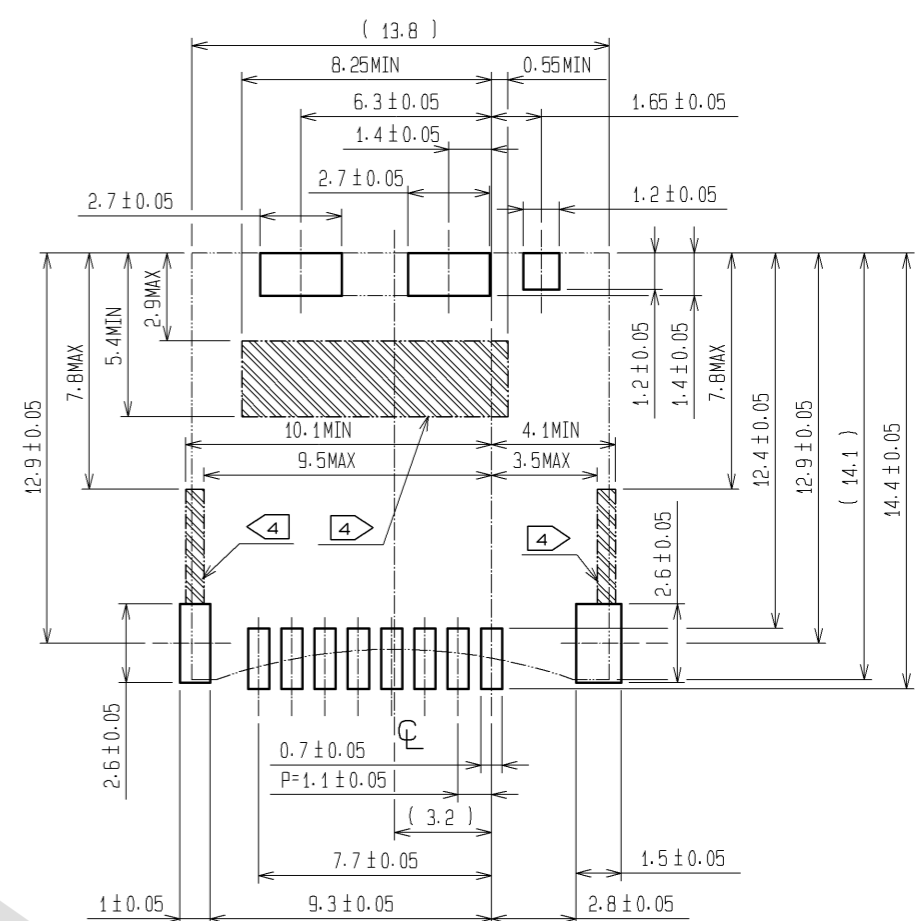
5 DRAWING FOR PACKING



DETAIL OF REEL (1:10)



RECOMMENDED PCB LAYOUT (MOUNTING SIDE)



NOTE: 4 NO PATTERNS ARE PERMITTED IN THIS OBLIQUE-HATCHED AREA.
5 PACKING TYPE: TAPE AND REEL. 1300PCS PER REEL.
6 PLEASE REFER TO TECHNICAL SPECIFICATION : ETAD-F0335 "DM3C SERIES PRODUCT INFORMATION AND HANDLING INSTRUCTIONS" FOR THE HANDLING OF THE PRODUCT.

3	(CONNECTORS)	
2		
1	PS	
NO.	MATERIAL	FINISH . REMARKS

HRS	DRAWING NO.	EDC3-156211-00
	PART NO.	DM3C-SF
	CODE NO.	CL609-0019-5-00
		2/2

Mouser Electronics

Authorized Distributor

Click to View Pricing, Inventory, Delivery & Lifecycle Information:

[Hirose Electric:](#)

[DM3C-SF](#)