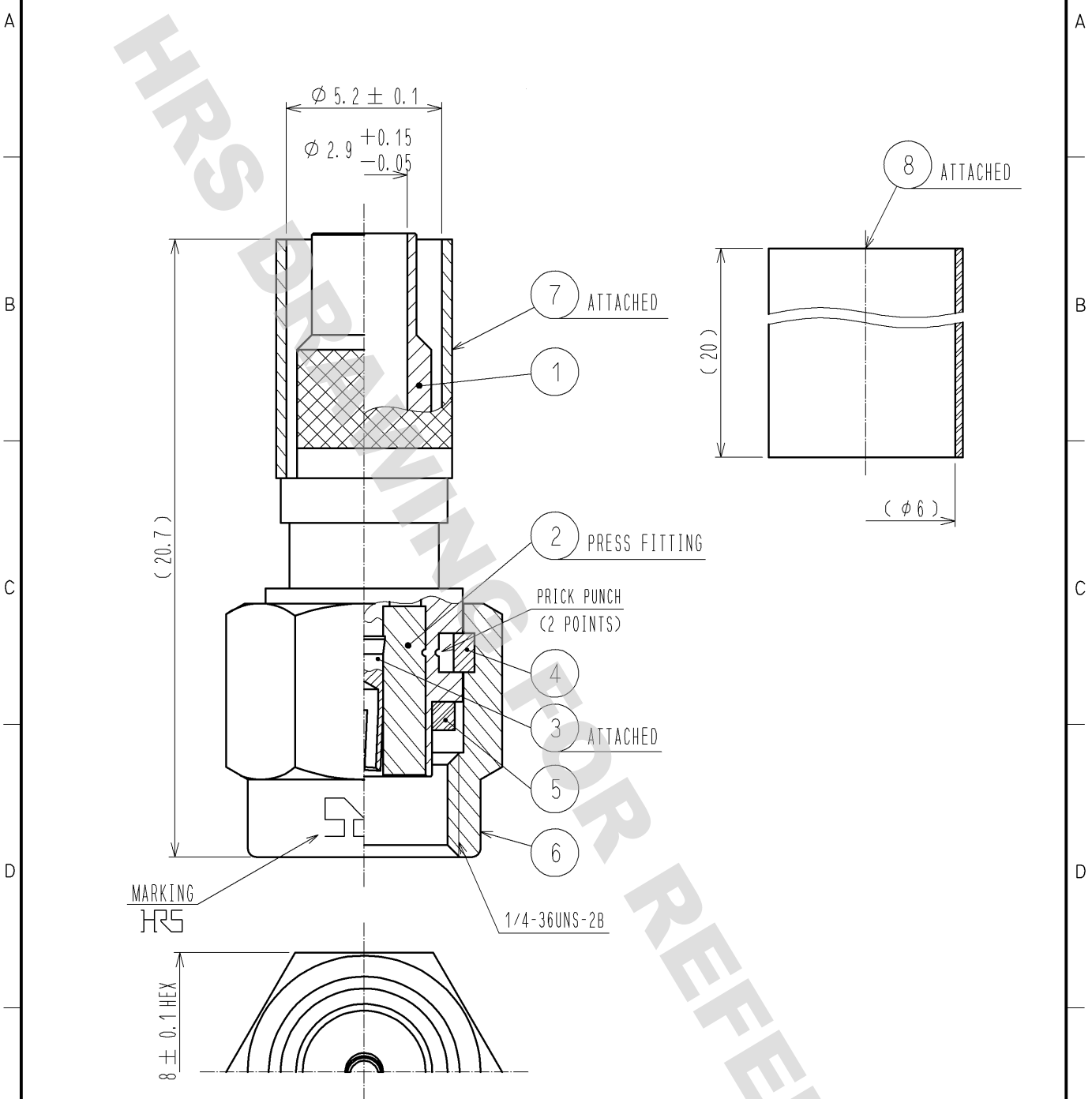


ASSEMBLY TOOL FOR OUTER CONDUCTOR :
UM. MSS-T-1(2.5 HOLE)



RoHS COMPLIANT

4	BERYLLIUM COPPER	NICKEL PLATING	8	POLYOLEFIN	HEAT SHRINK TUBING(BLACK)
3	BERYLLIUM COPPER	GOLD PLATING	7	COPPER	NICKEL PLATING
2	PTFE		6	STAINLESS STEEL	PASSIVATE
1	STAINLESS STEEL	NICKEL PLATING	5	SILICONE RUBBER	(RED)
NO.	MATERIAL	FINISH , REMARKS	NO.	MATERIAL	FINISH , REMARKS

UNITS mm	SCALE 5 : 1	COUNT	DESCRIPTION OF REVISIONS	DESIGNED	CHECKED	DATE
HRS HIROSE ELECTRIC CO., LTD.			APPROVED : MH. YAMANE 11. 09. 13 CHECKED : NK. NINOMIYA 11. 09. 13 DESIGNED : YI. FUNADA 11. 09. 08 DRAWN : YI. FUNADA 11. 09. 08	DRAWING NO. EDC4-311678-00 PART NO. SMA(R)-P-2.5DQS CODE NO. CL323-0875-4-00	1/1	

DRAWING FOR REFERENCE: This is subject to change without notice
08/11/2012

Mouser Electronics

Authorized Distributor

Click to View Pricing, Inventory, Delivery & Lifecycle Information:

[Hirose Electric:](#)

[SMA\(R\)-P-2.5DQS](#)