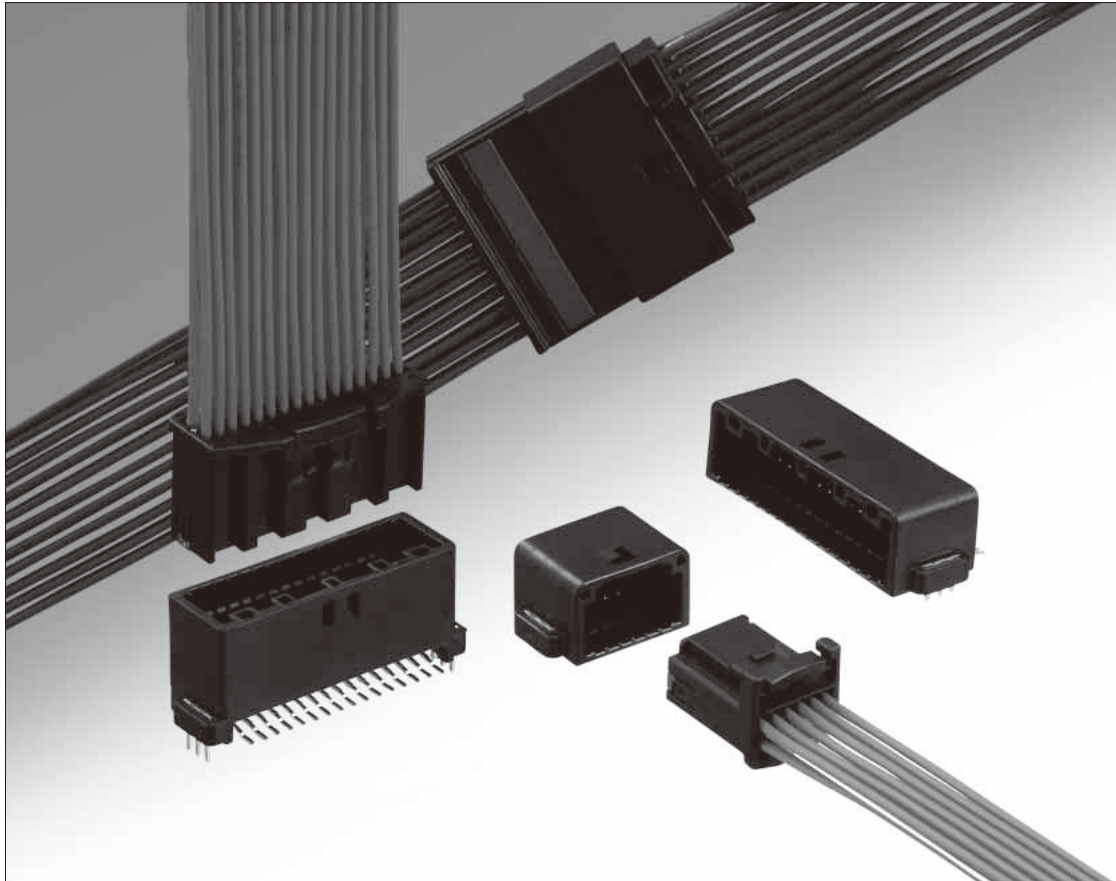


GT25 Series

— SMT Multi-contact Connectors —



■ Features

- Metal holdowns to solder by reflow are used instead of screws for PCB mounting.
- The width of tab is 025 size.

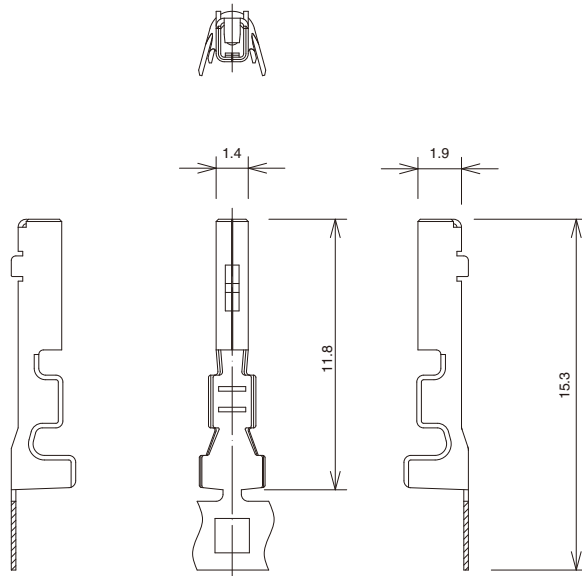
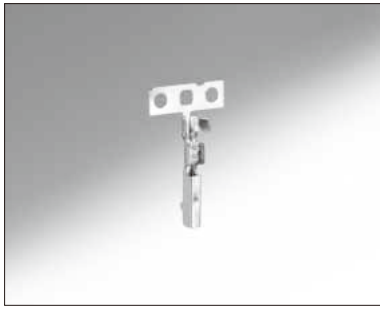
■ Product Specifications

| Rated Current | Insulation Resistance | Withstanding Voltage | Contact Resistance | Operating Temperature Range |
|---------------|-----------------------|-----------------------|-------------------------------|-----------------------------|
| 3A (Note 1) | 100MΩ min | AC650V for one minute | No more than 30mΩ (initially) | -40°C to +105°C (Note 2) |

Note 1 : When using different conditions, please consult with Hirose.

Note 2 : Includes temperature rise caused by current flow.

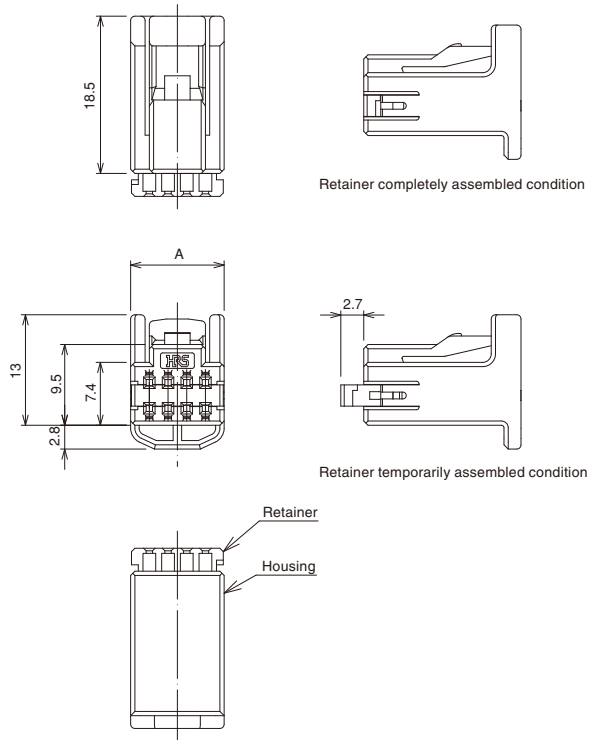
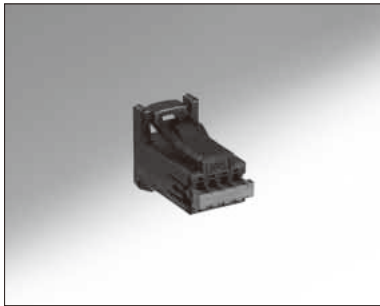
F Terminal



| Part No. | HRS No. | Material | Finish | Conductor Size (AWG) | Outer Diameter | Packaging | RoHS |
|----------------|------------|---------------|-------------|----------------------|----------------|-----------------|------|
| GT25H-2024SCF | 775-0039-6 | Copper palloy | Tin plating | 20 to 22 AWG | φ 1.0 to 1.7 | 10,000 pcs/reel | YES |
| GT25HB-2428SCF | 775-0070-6 | | | 24 to 28 AWG | φ 0.5 to 1.0 | | |

F Connector

● Housing (Pre-assembled retainer)



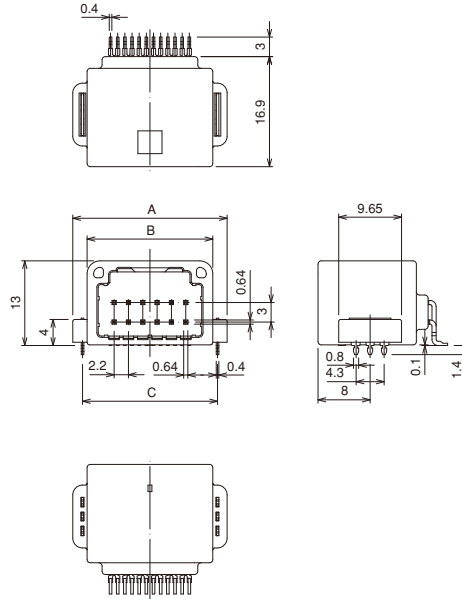
| Part No. | HRS No. | Color | Material | No. of Contacts | A Dimension | Packaging | RoHS |
|----------------|------------|---|---------------------------------|-----------------|-------------|-----------|------|
| GT25-8DS-HU/R | 775-0059-3 | Housing : Black Retainer : Dark Gray | Housing : PPE Retainer : PBT | 8 | 11 | 1 | YES |
| GT25-12DS-HU/R | 775-0062-8 | | PBT | 12 | 15.4 | | |
| GT25-24DS-HU/R | 775-0046-1 | | Housing : PPE Retainer : PBT | 24 | 28.6 | | |
| GT25-32DS-HU/R | 775-0044-6 | | | 32 | 37.4 | | |

Note 1 : Pre-assembled retainer into housing body

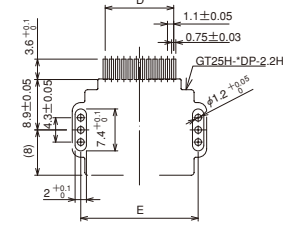
Note 2 : After insert assembled contact, retainer has to be pushed-in correct position

Note 3 : Available to purchase housing and retainer separately for repair.

Excellent strength type for excessive displacement

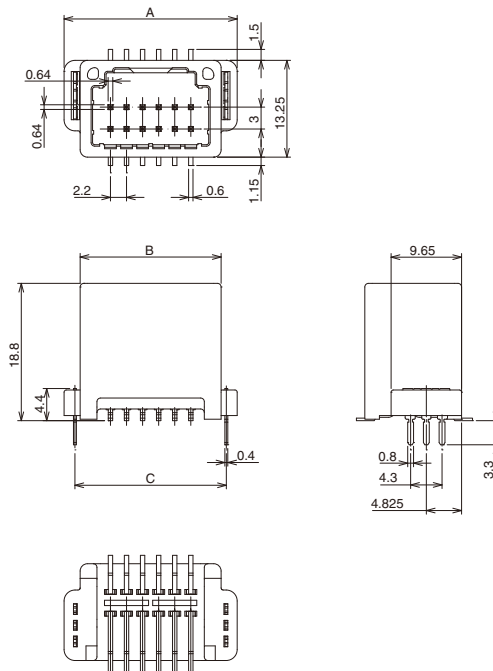
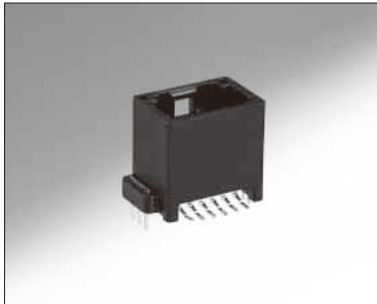


◆Recommended PCB pattern

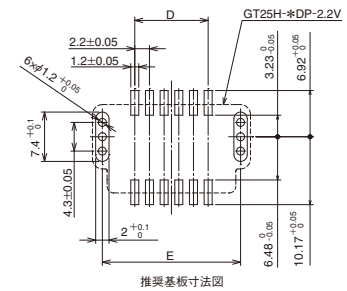


| Part No. | HRS No. | Color | Material/Finish | No. of Contacts | A Dimension | B Dimension | C Dimension | D Dimension | E Dimension | Packaging | RoHS |
|-----------------|---------------------|-------|------------------------------|-----------------|-------------|-------------|-------------|-------------|-------------|--------------|------|
| GT25H-12DP-2.2H | 775-0038-3 | Black | PPS Brass/ Tin plating | 12 | 23.7 | 19.3 | 20.73 | 12.1±0.05 | 20.73±0.05 | 200 pcs/reel | YES |
| GT25H-20DP-2.2H | (Under development) | | | 20 | 32.5 | 28.1 | 29.53 | 20.9±0.05 | 29.53±0.05 | | |
| GT25H-24DP-2.2H | 775-0045-9 | | | 24 | 36.9 | 32.5 | 33.93 | 25.3±0.05 | 33.93±0.05 | | |
| GT25H-32DP-2.2H | (Under development) | | | 32 | 45.7 | 41.3 | 42.73 | 34.1±0.05 | 42.73±0.05 | | |

Excellent strength type for excessive displacement



◆Recommended PCB pattern



| Part No. | HRS No. | Color | Material/Finish | No. of Contacts | A Dimension | B Dimension | C Dimension | D Dimension | E Dimension | Packaging | RoHS |
|-----------------|---------------------|-------|------------------------------|-----------------|-------------|-------------|-------------|-------------|-------------|-----------|------|
| GT25H-12DP-2.2V | 775-0050-9 | Black | PPS Brass/ Tin plating | 12 | 23.7 | 19.3 | 20.73 | 11±0.05 | 20.73±0.05 | 1 | YES |
| GT25H-24DP-2.2V | (Under development) | | | 24 | 36.9 | 32.5 | 33.93 | 24.2±0.05 | 33.93±0.05 | | |
| GT25H-32DP-2.2V | 775-0053-7 | | | 32 | 45.7 | 41.3 | 42.73 | 33±0.05 | 42.73±0.05 | | |

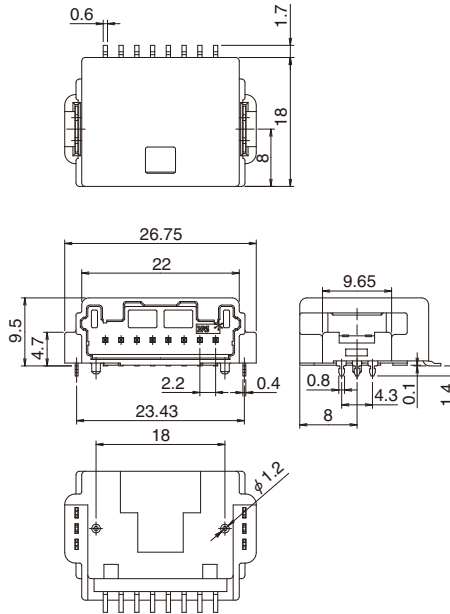
Interface Copyright 2016 HIROSE ELECTRIC CO., LTD. All Rights Reserved.

- GT5
- GT13
- GT16
- PO5G
- GT19
- GT21
- GT26
- GT36
- GT11
- GT17
- GT32
- GT3
- GT7
- GT10
- GT18W
- GT25**
- GT28
- GT8E
- GT9
- GT23F
- GT15

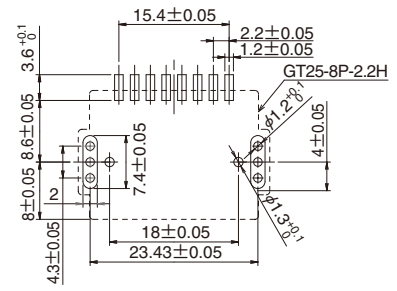
M connector (PCB type)

Right-angle Type

● 8 positions, 1 row

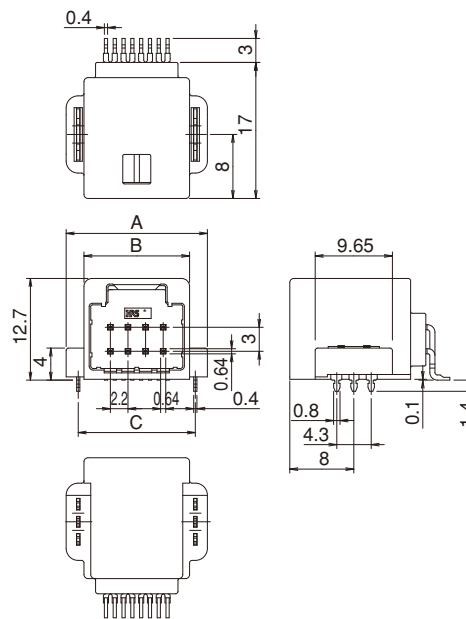


Recommended PCB Pattern

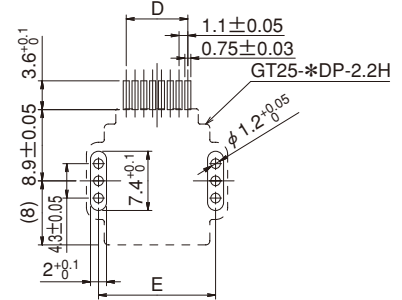


| Part No. | HRS No. | Color | Material/Finish | Packaging | RoHS |
|------------------|---------------|------------|------------------------------|-------------|------|
| GT25-8P-2.2H(70) | 775-0001-3 70 | Light Gray | PPS Brass/ Tin plating | 200pcs/reel | YES |

● 2 rows



Recommended PCB Pattern



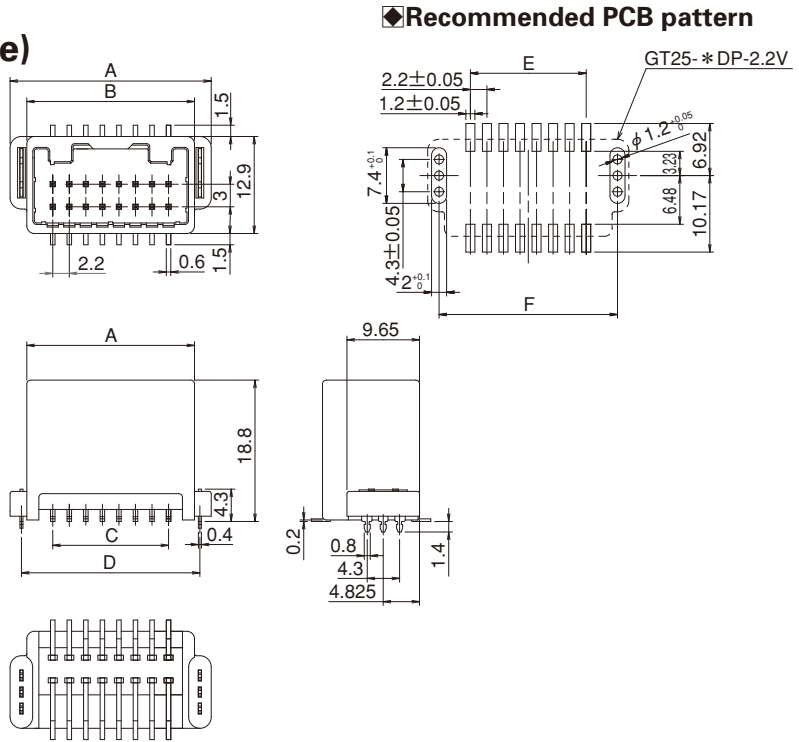
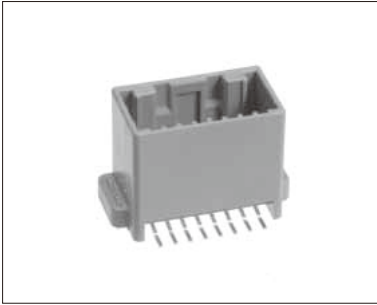
| Part No. | HRS No. | Color | Material/Finish | No. of Contacts | A imension | B imension | C imension | D imension | E imension | Packaging | RoHS |
|--------------------|---------------|------------|------------------------------|-----------------|------------|------------|------------|------------|------------|------------------------------|------|
| GT25-8DP-2.2H | 775-0004-1 | Light Gray | PPS Brass/ Tin plating | 8 | 17.65 | 13.2 | 14.63 | 7.7±0.05 | 14.63±0.05 | 200 pcs/reel or 1/tray | YES |
| GT25-12DP-2.2H | 775-0005-4 | | | 12 | 22.05 | 17.6 | 19.03 | 12.1±0.05 | 19.03±0.05 | | |
| GT25-16DP-2.2H | 775-0006-7 | | | 16 | 26.45 | 22.0 | 23.43 | 16.5±0.05 | 23.43±0.05 | | |
| GT25-24DP-2.2H | 775-0007-0 | | | 24 | 35.25 | 30.8 | 32.23 | 25.3±0.05 | 32.23±0.05 | | |
| GT25-28DP-2.2H(01) | 775-0040-5 01 | | | 28 | 39.65 | 35.2 | 36.63 | 29.7±0.05 | 36.63±0.05 | | |
| GT25-32DP-2.2H | 775-0008-2 | | | 32 | 44.05 | 39.6 | 41.03 | 34.1±0.05 | 41.03±0.05 | | |
| GT25-40DP-2.2H | 775-0003-9 | | | 40 | 52.85 | 48.4 | 49.83 | 42.9±0.05 | 49.83±0.05 | | |

Note : (01) is tray package.

M connector (PCB type)

Straight Type

● 2 rows

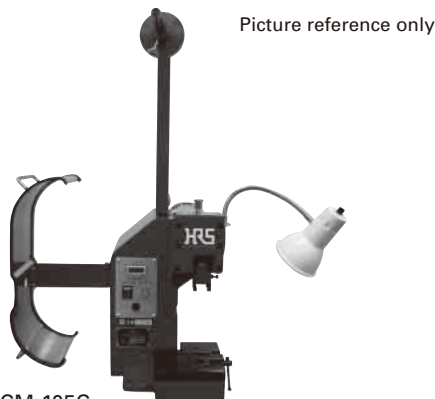


| Part No. | HRS No. | Color | Material/Finish | No. of Contacts | A Dimension | B Dimension | C Dimension | D Dimension | E Dimension | F Dimension | Packaging | RoHS |
|--------------------|---------------|------------|---------------------------|-----------------|-------------|-------------|-------------|-------------|-------------|-------------|-----------|------|
| GT25-16DP-2.2V(01) | 775-0020-8 01 | Light Gray | PPS Brass/ Tin plating | 16 | 26.75 | 22.3 | 15.4 | 23.73 | 15.4±0.05 | 23.73±0.05 | 1/tray | YES |
| GT25-24DP-2.2V(01) | 775-0021-0 01 | | | 24 | 35.55 | 31.1 | 24.2 | 32.53 | 24.2±0.05 | 32.53±0.05 | | |
| GT25-32DP-2.2V(01) | 775-0022-3 01 | | | 32 | 44.35 | 39.9 | 33.0 | 41.33 | 33±0.05 | 41.33±0.05 | | |
| GT25-40DP-2.2V(01) | 775-0014-5 01 | | | 40 | 53.15 | 48.7 | 41.8 | 50.13 | 41.8±0.05 | 50.13±0.05 | | |

◆ Crimping tools

User's manuals are available. Please contact your Hirose Electric account representative.

● Automatic Crimping Machine



Part No. CM-105C

Specifications

| Item | Specification | Remarks |
|-------------------|-------------------------|---------------|
| Press capacity | 1.5tons | — |
| Stroke Length | 30mm | — |
| Number of strokes | 200spm (50Hz) | 240spm (60Hz) |
| Weight | 75kg | — |
| Motor | 0.2kw | AC100V |
| Crimping speed | 2,000 to 4,000 pcs/hour | — |

| Terminal Product No. | Terminal HRS No. | Tool Part No. | Tool HRS No. |
|----------------------|------------------|--------------------|--------------|
| GT25H-2024SCF | 775-0039-6 | AP105-GT25H-2024S | 901-5206-3 |
| GT25HB-2428SCF | 775-0070-6 | AP105-GT25HB-2428S | 901-5230-8 |

Note : Crimp height setting tables are available for each cable type. Please contact your nearest Hirose Electric account representative.
Different cables will require different crimp height settings.

● Hand tooling



| HRS No. | Part No. | Applicable wire |
|---------------|-------------------|-----------------|
| 780-0044-1 00 | HT304/GT25H-2024S | GT25H-2024SCF |

Note : HT304/GT25H-2024S is rated for 0.3SQ (22 AWG) or 0.5SQ (20 AWG) cable only.
HT304/GT25H-2024S can not terminate 0.2SQ (24 AWG) cable.

Mouser Electronics

Authorized Distributor

Click to View Pricing, Inventory, Delivery & Lifecycle Information:

[Hirose Electric:](#)

[GT25-24DP-2.2H](#) [GT25-28DP-2.2H\(01\)](#) [GT25-16DP-2.2V\(01\)](#) [GT25-24DP-2.2H\(55\)](#)