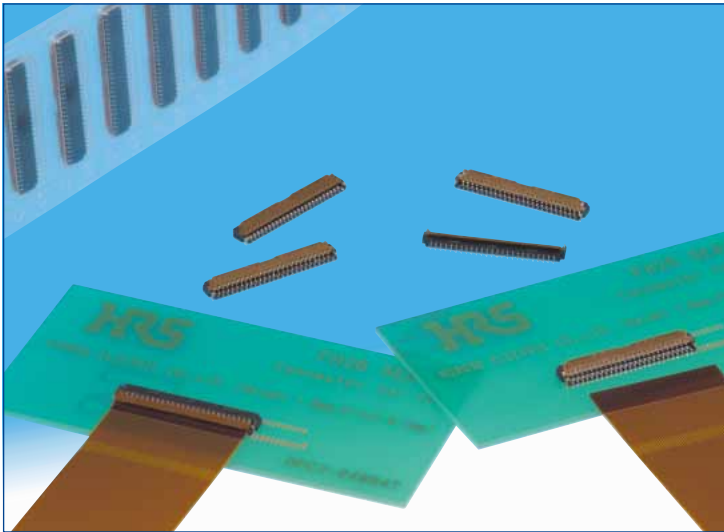
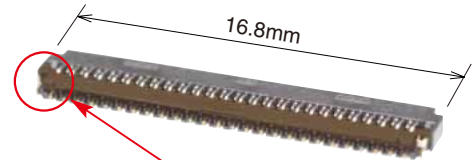
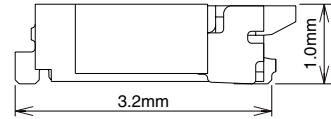


# 0.3 mm Pitch, 1.0 mm Height FPC Connector

FH26 Series



●Space saving(51 pos. shown)



Metal fittings do not protrude outside of the connector body

## ■Features

### 1. Low-profile 0.3 mm pitch FPC connector

Ultra-thin design, 1.0 mm height, 3.2 mm width all add up to a compact, space saving form factor.

\*30% reduction in PCB footprint

\*40% reduction in weight

(Compared to our 0.3 mm pitch FH23 Series 51 position connector.)

### 2. Easy PCB Mounting

The leads are double sided and have a 0.6 mm mounting lead pitch to simplify mounting.

### 3. Fully molded structure aids PCB layout

The bottom of this connector is enclosed by a fully molded structure that protects the contacts and removes any restrictions from PCB patterning and design.

### 4. Rotating one-touch ZIF mechanism

The one-touch rotating ZIF mechanism is easier to operate and works with a light force, and a clear tactile click is delivered upon the successful completion of the mating process

### 5. Easy FPC insertion

The metal FPC insertion guides helps to make this the FPC insertion process easier.

### 6. FPC. Accepts standard 0.2 mm thick FPC

This connector accepts standard 0.2 mm thick FPC. (The proper FPC stiffener thickness will prevent FPC deformation and ease insertion and mating.)

### 7. Supports automatic pick-n-place mounting

Offered in tape and reel packaging that is compatible with automatic machine mounting. (5,000 pieces per reel)

### 8. Halogen-free

If you need a Halogen free connector, please use the FH26W type. All materials and substances used to produce the FH26W Series product complies with Halogen-free standards. \* Defined according to IEC61249-2-21

Br: 900ppm max, Cl: 900ppm max, Br+Cl: 1,500ppm max.

### 9. Multiple packing options

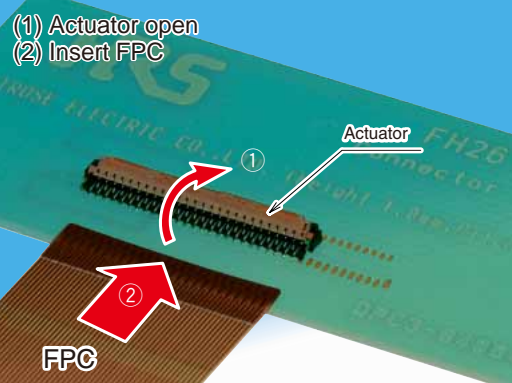
The standard packaging is 5,000 pieces per reel, but it is also offered in a 500 piece reel. (The outer diameter of the reel will be  $\phi$ 180 mm in this case.)

●Can be mounted over conductive traces.

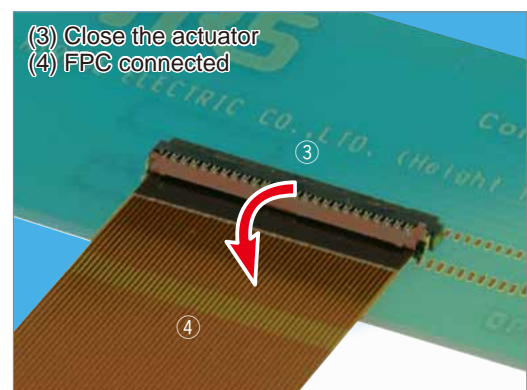


No exposed contacts on the bottom of the connector

●Operation



(3) Close the actuator  
(4) FPC connected



## ■ Specifications

Rating	Current rating	0.2A DC	Operating temperature range -55 °C to +85°C (Note 1) Operating humidity range Relative humidity 90% max. (No condensation)	Storage temperature range -10°C to +50°C (Note 2) Storage humidity range Relative humidity 90% max.
	Voltage rating	30V AC		

Recommended FPC :	Thickness: = 0.2±0.03mm gold plated
-------------------	-------------------------------------

Item	Specification	Conditions
1. Insulation resistance	50 M ohms min.	100 V DC
2. Withstanding voltage	No flashover or insulation breakdown.	90 V AC /one minute
3. Contact resistance	100 m ohms max. * Including FPC conductor resistance	1 mA
4. Durability (Insertion/ withdrawal)	Contact resistance: 100 m ohms max. No damage, cracks, or parts dislocation.	10 cycles
5. Vibration	No electrical discontinuity of 1μs or more. Contact resistance: 100 m ohms max. No damage, cracks, or parts dislocation.	Frequency: 10 to 55 Hz, single amplitude of 0.75 mm, 10 cycles, 3 directions.
6. Shock	No electrical discontinuity of 1μs. min. Contact resistance: 100 m ohms max. No damage, cracks, or parts dislocation.	Acceleration of 981 m/s <sup>2</sup> , 6 ms duration, sine half-wave waveform, 3 cycles in each of the 3 axis
7. Humidity (Steady state)	Contact resistance: 100 m ohms max. Insulation resistance: 50 M ohms min. No affect on appearance or performance.	96 hours at temperature of 40±2°C and humidity of 90% to 95%.
8. Temperature cycle	Contact resistance: 100 m ohms max. Insulation resistance: 50 M ohms min. No damage, cracks, or parts looseness.	Temperature: -55 °C→+15°C to +35°C→+85°C→+15°C to +35°C Time: 30 → 2 to 3 → 30 → 2 to 3 (Minutes) 5 cycles
9. Resistance to soldering heat	No deformation of components affecting performance.	Reflow: At the recommended temperature profile Manual soldering: 350°C +/-10°C for 5±1 seconds

Note 1: Includes temperature rise caused by current flow.

Note 2: The term "storage" refers to products stored for long period of time prior to mounting and use. Operating Temperature Range and Humidity range covers non- conducting condition of installed connectors in storage, shipment or during transportation.

## ■ Materials

Part	Material	Finish	Remarks
Insulator	LCP	Color: Black	UL94V-0
	PA	FH26 series: Deep brown FH26W series: Light brown	
Contacts	Phosphor bronze	Gold plating	_____
Metalfittings		Pure tin reflow plating	_____

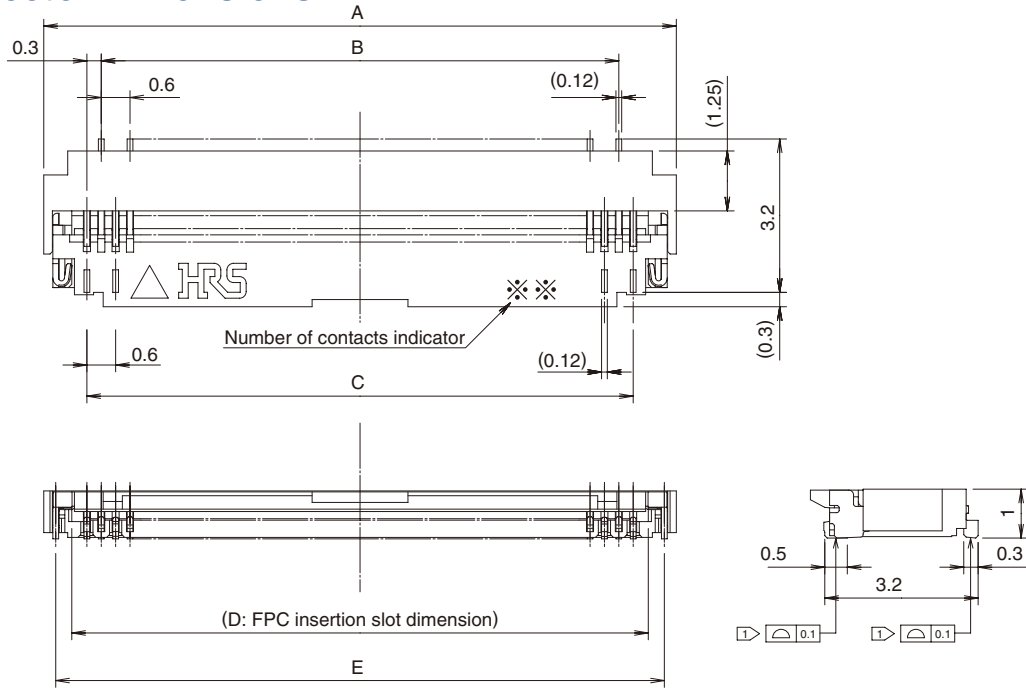
## ■ Ordering information

**FH 26 W - 51S - 0.3 SHW (05)**  

①
②
③
④
⑤
⑥
⑦

① Series name: FH	⑥ Termination type SHW: SMT horizontal staggered mounting type ⑦ Specifications (10)...Gold plating with nickel barrier, 5,000 pieces / reel (99)...Gold plating with nickel barrier, 500 pieces / reel
② Series No.: 26	
③ Blank: Standard W: Satisfies halogen-free requirements (Flame retardance UL94HB).	
④ Number of positions: 13 to 71	
⑤ Contact pitch: 0.3mm	

## Connector Dimensions



- Notes
- 1 The coplanarity of each terminal lead within specified dimension is 0.1 mm Max.
  - 2 Packaged on tape and reel only. Check packaging specification.
  - 3 Slight variations in color of the plastic compounds do not affect form, fit or function of the connector.
  - 4 After reflow, the terminal plating may change color, however this does not represent a quality issue.

All dimensions: mm

Part Number	CL No.	Number of Contacts	A	B	C	D	E
FH26-13S-0.3SHW(**)	580-0209-3-**-	13	5.4	3.0	3.6	4.23	4.9
FH26-15S-0.3SHW(**)	580-0218-4-**-	15	6.0	3.6	4.2	4.83	5.5
FH26-17S-0.3SHW(**)	580-0217-1-**-	17	6.6	4.2	4.8	5.43	6.1
FH26-21S-0.3SHW(**)	580-0207-8-**-	21	7.8	5.4	6.0	6.63	7.3
FH26-23S-0.3SHW(**)	580-0203-7-**-	23	8.4	6.0	6.6	7.23	7.9
FH26-25S-0.3SHW(**)	580-0208-0-**-	25	9.0	6.6	7.2	7.83	8.5
FH26-27S-0.3SHW(**)	580-0204-0-**-	27	9.6	7.2	7.8	8.43	9.1
FH26-29S-0.3SHW(**)	580-0216-9-**-	29	10.2	7.8	8.4	9.03	9.7
FH26-31S-0.3SHW(**)	580-0214-3-**-	31	10.8	8.4	9.0	9.63	10.3
FH26-33S-0.3SHW(**)	580-0210-2-**-	33	11.4	9.0	9.6	10.23	10.9
FH26-35S-0.3SHW(**)	580-0205-2-**-	35	12.0	9.6	10.2	10.83	11.5
FH26-37S-0.3SHW(**)	580-0224-7-**-	37	12.6	10.2	10.8	11.43	12.1
FH26-39S-0.3SHW(**)	580-0201-1-**-	39	13.2	10.8	11.4	12.03	12.7
FH26-41S-0.3SHW(**)	580-0206-5-**-	41	13.8	11.4	12.0	12.63	13.3
FH26-45S-0.3SHW(**)	580-0211-5-**-	45	15.0	12.6	13.2	13.83	14.5
FH26-51S-0.3SHW(**)	580-0200-9-**-	51	16.8	14.4	15.0	15.63	16.3
FH26-55S-0.3SHW(**)	580-0221-9-**-	55	18.0	15.6	16.2	16.83	17.5
FH26-57S-0.3SHW(**)	580-0212-8-**-	57	18.6	16.2	16.8	17.43	18.1
FH26-61S-0.3SHW(**)	580-0213-0-**-	61	19.8	17.4	18.0	18.63	19.3
FH26-71S-0.3SHW(**)	580-0202-4-**-	71	22.8	20.4	21.0	21.63	22.3

Part Number	CL No.	Number of Contacts	A	B	C	D	E
FH26W-13S-0.3SHW(**)	580-2401-1-**-	13	5.4	3	3.6	4.23	4.9
FH26W-15S-0.3SHW(**)	580-2402-4-**-	15	6.0	3.6	4.2	4.83	5.5
FH26W-17S-0.3SHW(**)	580-2403-7-**-	17	6.6	4.2	4.8	5.43	6.1
FH26W-19S-0.3SHW(**)	580-2437-9-**-	19	7.2	4.8	5.4	6.03	6.7
FH26W-21S-0.3SHW(**)	580-2404-0-**-	21	7.8	5.4	6.0	6.63	7.3
FH26W-23S-0.3SHW(**)	580-2405-2-**-	23	8.4	6.0	6.6	7.23	7.9
FH26W-25S-0.3SHW(**)	580-2406-5-**-	25	9.0	6.6	7.2	7.83	8.5
FH26W-27S-0.3SHW(**)	580-2400-9-**-	27	9.6	7.2	7.8	8.43	9.1
FH26W-29S-0.3SHW(**)	580-2407-8-**-	29	10.2	7.8	8.4	9.03	9.7
FH26W-31S-0.3SHW(**)	580-2408-0-**-	31	10.8	8.4	9.0	9.63	10.3
FH26W-33S-0.3SHW(**)	580-2409-3-**-	33	11.4	9.0	9.6	10.23	10.9
FH26W-35S-0.3SHW(**)	580-2410-2-**-	35	12.0	9.6	10.2	10.83	11.5
FH26W-37S-0.3SHW(**)	580-2411-5-**-	37	12.6	10.2	10.8	11.43	12.1
FH26W-39S-0.3SHW(**)	580-2412-8-**-	39	13.2	10.8	11.4	12.03	12.7
FH26W-41S-0.3SHW(**)	580-2413-0-**-	41	13.8	11.4	12.0	12.63	13.3
FH26W-45S-0.3SHW(**)	580-2414-3-**-	45	15.0	12.6	13.2	13.83	14.5
FH26W-51S-0.3SHW(**)	580-2415-6-**-	51	16.8	14.4	15.0	15.63	16.3
FH26W-57S-0.3SHW(**)	580-2417-1-**-	57	18.6	16.2	16.8	17.43	18.1
FH26W-61S-0.3SHW(**)	580-2418-4-**-	61	19.8	17.4	18.0	18.63	19.3
FH26W-71S-0.3SHW(**)	580-2419-7-**-	71	22.8	20.4	21.0	21.63	22.3

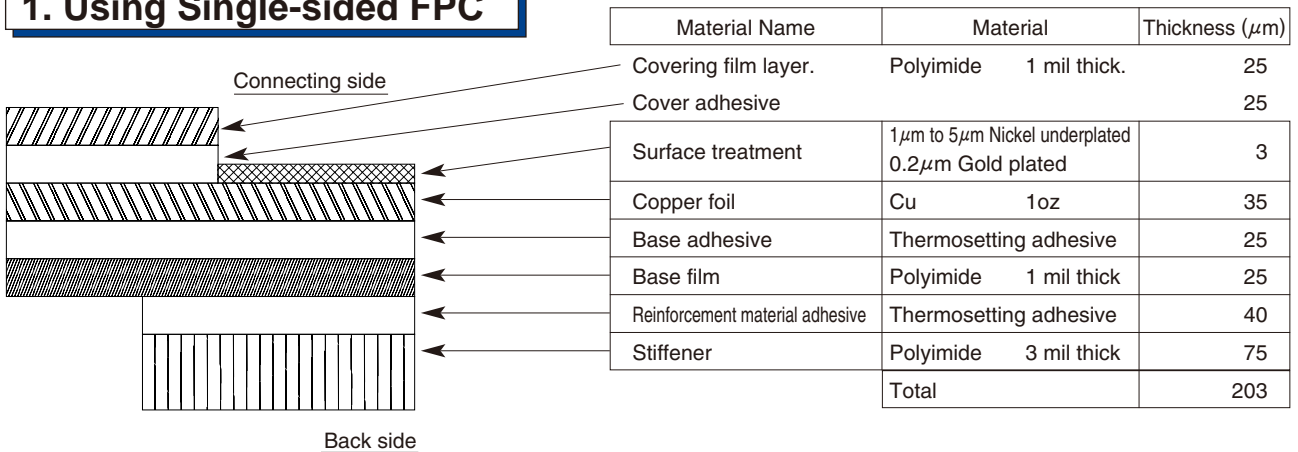
Note 1 : Embossed tape reel packaging(5,000pieces/reel, 500pieces/reel). Order by number of reels.



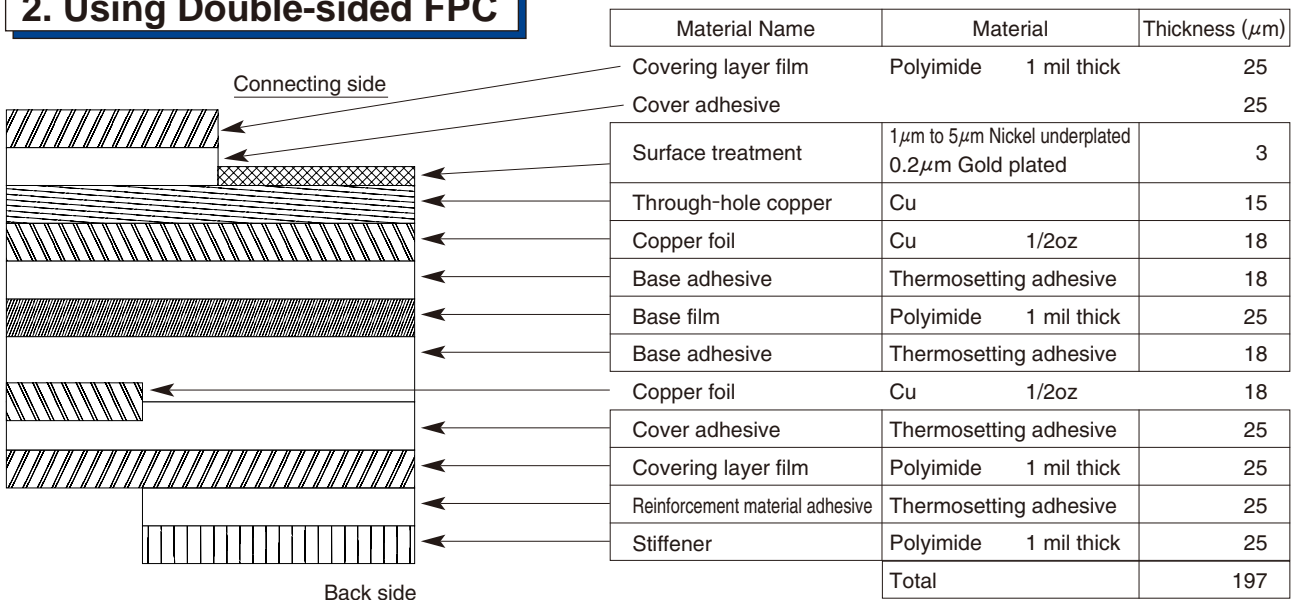
## ■ Recommended FPC Construction

● Contact FPC manufacturer for specific details.

### 1. Using Single-sided FPC



### 2. Using Double-sided FPC



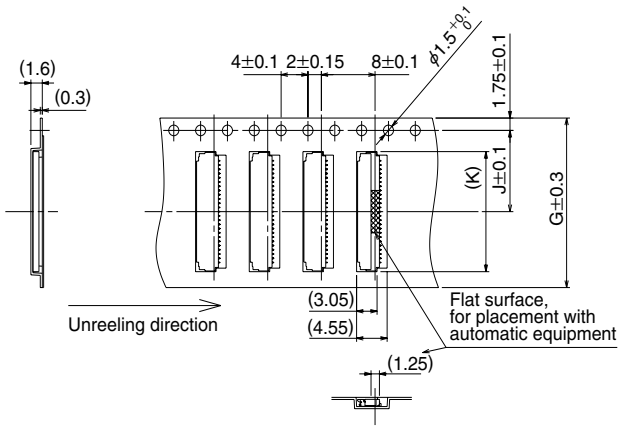
● To prevent release of the FPC due to its bending, use of double sided FPC with copper foil on the back side is NOT RECOMMENDED.

### 3. Precautions

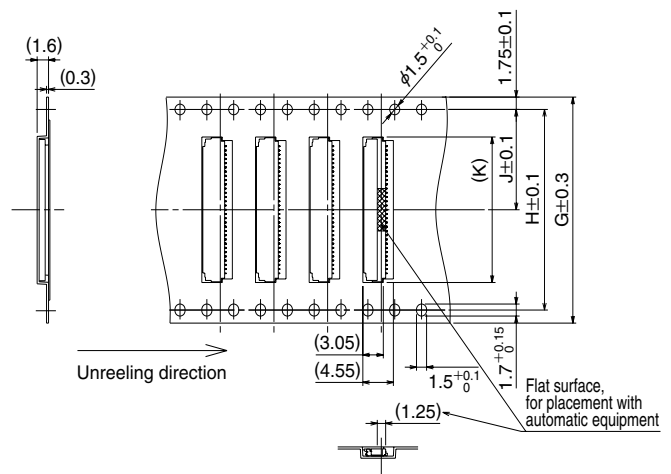
1. This specification is a recommendation for the construction of the FH26 Series FPC ( $t=0.2 \pm 0.03$ ).
2. For details about the construction, please contact the FPC manufacturers.

## ■ Packaging Specification

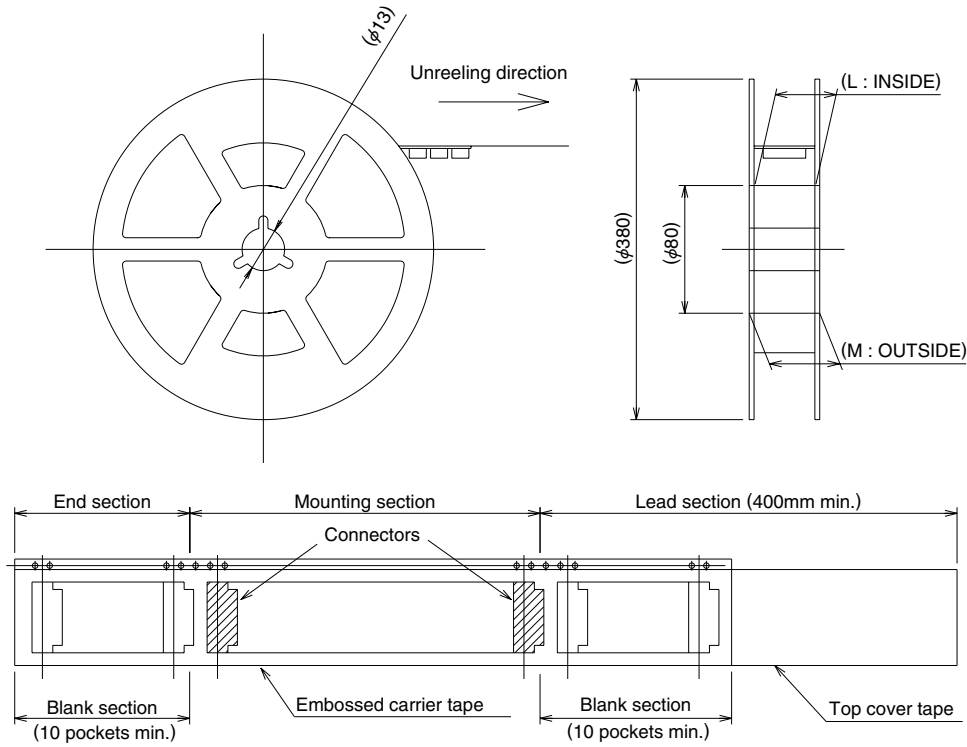
### ● Embossed Carrier Tape Dimensions (Tape width of 24mm max.)



### ● Embossed Carrier Tape Dimensions (Tape width of 32mm min.)



### ● Reel Dimensions

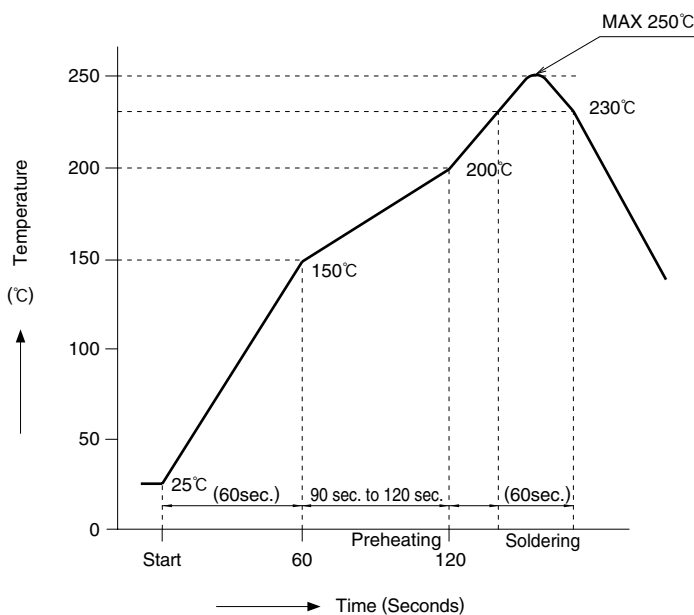


All dimensions: mm

Part Number	CL No.	Number of Contacts	G	H	J	K	L	M
FH26-13S-0.3SHW(**)	580-0209-3-**-	13	16	—	7.5	5.6	17.4	21.4
FH26-15S-0.3SHW(**)	580-0218-4-**-	15	16	—	7.5	6.2	17.4	21.4
FH26-17S-0.3SHW(**)	580-0217-1-**-	17	16	—	7.5	6.8	17.4	21.4
FH26-21S-0.3SHW(**)	580-0207-8-**-	21	16	—	7.5	8.0	17.4	21.4
FH26-23S-0.3SHW(**)	580-0203-7-**-	23	16	—	7.5	8.6	17.4	21.4
FH26-25S-0.3SHW(**)	580-0208-0-**-	25	16	—	7.5	9.2	17.4	21.4
FH26-27S-0.3SHW(**)	580-0204-0-**-	27	16	—	7.5	9.8	17.4	21.4
FH26-29S-0.3SHW(**)	580-0216-9-**-	29	24	—	11.5	10.4	25.4	29.4
FH26-31S-0.3SHW(**)	580-0214-3-**-	31	24	—	11.5	11.0	25.4	29.4
FH26-33S-0.3SHW(**)	580-0210-2-**-	33	24	—	11.5	11.6	25.4	29.4
FH26-35S-0.3SHW(**)	580-0205-2-**-	35	24	—	11.5	12.2	25.4	29.4
FH26-37S-0.3SHW(**)	580-0224-7-**-	37	24	—	11.5	12.8	25.4	29.4
FH26-39S-0.3SHW(**)	580-0201-1-**-	39	24	—	11.5	13.4	25.4	29.4
FH26-41S-0.3SHW(**)	580-0206-5-**-	41	24	—	11.5	14.0	25.4	29.4
FH26-45S-0.3SHW(**)	580-0211-5-**-	45	24	—	11.5	15.2	25.4	29.4
FH26-51S-0.3SHW(**)	580-0200-9-**-	51	24	—	11.5	17.0	25.4	29.4
FH26-55S-0.3SHW(**)	580-0221-9-**-	55	32	28.4	14.2	18.2	33.4	37.4
FH26-57S-0.3SHW(**)	580-0212-8-**-	57	32	28.4	14.2	18.8	33.4	37.4
FH26-61S-0.3SHW(**)	580-0213-0-**-	61	32	28.4	14.2	20.0	33.4	37.4
FH26-71S-0.3SHW(**)	580-0202-4-**-	71	44	40.4	20.2	23.0	45.4	49.4

Part Number	CL No.	Number of Contacts	G	H	J	K	L	M
FH26W-13S-0.3SHW(**)	580-2401-1-**-	13	16	—	7.5	5.6	17.4	21.4
FH26W-15S-0.3SHW(**)	580-2402-4-**-	15	16	—	7.5	6.2	17.4	21.4
FH26W-17S-0.3SHW(**)	580-2403-7-**-	17	16	—	7.5	6.8	17.4	21.4
FH26W-19S-0.3SHW(**)	580-2437-9-**-	19	16	—	7.5	7.4	17.4	21.4
FH26W-21S-0.3SHW(**)	580-2404-0-**-	21	16	—	7.5	8.0	17.4	21.4
FH26W-23S-0.3SHW(**)	580-2405-2-**-	23	16	—	7.5	8.6	17.4	21.4
FH26W-25S-0.3SHW(**)	580-2406-5-**-	25	16	—	7.5	9.2	17.4	21.4
FH26W-27S-0.3SHW(**)	580-2400-9-**-	27	16	—	7.5	9.8	17.4	21.4
FH26W-29S-0.3SHW(**)	580-2407-8-**-	29	24	—	11.5	10.4	25.4	29.4
FH26W-31S-0.3SHW(**)	580-2408-0-**-	31	24	—	11.5	11.0	25.4	29.4
FH26W-33S-0.3SHW(**)	580-2409-3-**-	33	24	—	11.5	11.6	25.4	29.4
FH26W-35S-0.3SHW(**)	580-2410-2-**-	35	24	—	11.5	12.2	25.4	29.4
FH26W-37S-0.3SHW(**)	580-2411-5-**-	37	24	—	11.5	12.8	25.4	29.4
FH26W-39S-0.3SHW(**)	580-2412-8-**-	39	24	—	11.5	13.4	25.4	29.4
FH26W-41S-0.3SHW(**)	580-2413-0-**-	41	24	—	11.5	14.0	25.4	29.4
FH26W-45S-0.3SHW(**)	580-2414-3-**-	45	24	—	11.5	15.2	25.4	29.4
FH26W-51S-0.3SHW(**)	580-2415-6-**-	51	24	—	11.5	17.0	25.4	29.4
FH26W-57S-0.3SHW(**)	580-2417-1-**-	57	32	28.4	14.2	18.8	33.4	37.4
FH26W-61S-0.3SHW(**)	580-2418-4-**-	61	32	28.4	14.2	20.0	33.4	37.4
FH26W-71S-0.3SHW(**)	580-2419-7-**-	71	44	40.4	20.2	23.0	45.4	49.4

## Recommended Temperature Profile



### HRS test conditions

- Solder method :Reflow, IR/hot air
- Environment :Room air
- Solder composition :Paste,  
96.5%Sn/3.0%Ag/0.5%Cu  
(Senju Metal Industry, Co.,  
Ltd.'s  
Part Number: M705-  
221CM5-32-10.5)
- Test board :Glass epoxy  
25mm×50mm×0.8mm thick
- Land dimensions :0.3mm×0.65mm,  
0.3mm×0.8mm
- Metal mask :0.23×0.55×0.1mm thick,  
0.23×0.65×0.1mm thick

The temperature profiles are based on the above conditions.

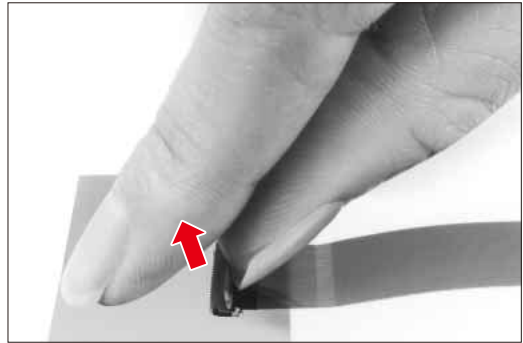
In individual applications the actual temperature may vary, depending on solder paste type, volume/thickness and board size/thickness. Consult your solder paste and equipment manufacturer for specific recommendations.

## ■ Operation and Precautions

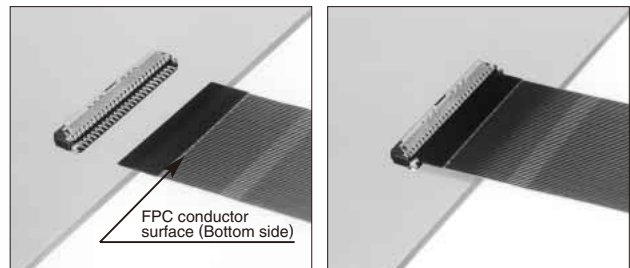
### Operation

#### 1.FPC insertion procedure. Connector installed on the board.

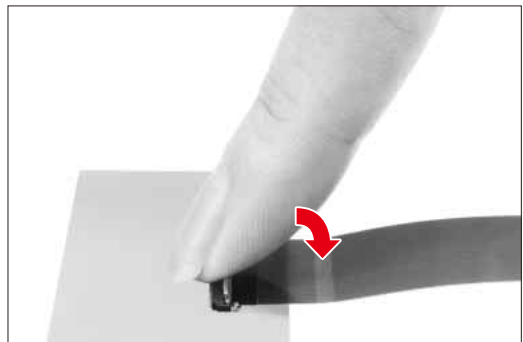
- ① Lift up the actuator. Use thumb or index finger.



- ② Fully insert the FPC in the connector parallel to mounting surface, with the exposed conductive traces facing down.

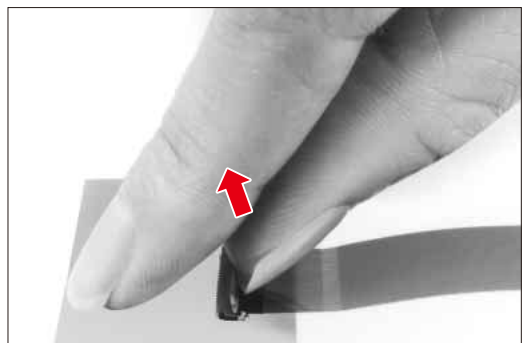


- ③ Rotate down the actuator until firmly closed. It is critical that the inserted FPC is not moved and remains fully inserted.



#### 2.FPC removal

- ① Lift up the actuator. Carefully withdraw the FPC.





**Precautions**

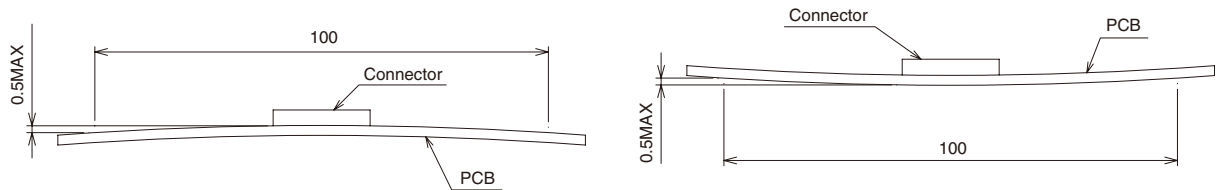
**This connector needs to be handled with care due to its thin design and miniature stature.**

**[ Precautions when mounting to PCB ]**

- ◆ **Acceptable amount of PCB distortion**  
The PCB distortion should be kept to a minimum. The maximum coplanarity of this connector is 0.1 mm, but excessive distortion can create solder failure.
- ◆ **FPC specifications**  
Stiffeners can be used to improve the rigidity of the FPC. We recommend using a glass epoxy with the thickness of 0.3 mm or more.
- ◆ **Load to the connector**  
Do not apply any excessive force or mate/unmate these connectors until they are mounted, failure to follow this precaution can lead to deformation or damage to these connectors. Inserting the FPC prior to mounting is not recommended either.

**[ Precautions in handling PCB after mounting ]**

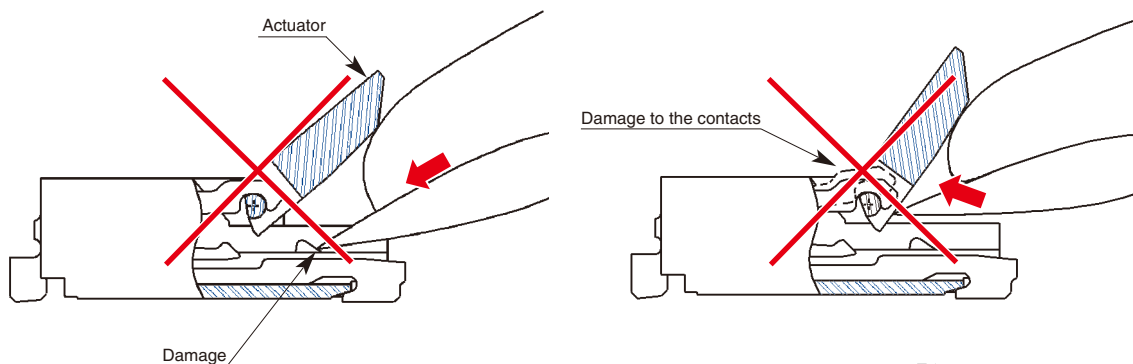
- ◆ **Applied force to the PCB**  
Do not place any excessive force on the PCB after the connector has been mounted, this type of action may damage the connectors. (e.g., When separating the PCB into multiple boards or installing fastening screws onto the PCB)
- ◆ **PCB bending**  
For PCB with a width of 100 mm, it should not be bent more than a maximum of 0.5 mm. (Please refer to the diagrams below.) PCB bending places an extra load onto the connector and will lead to damage or malfunction.



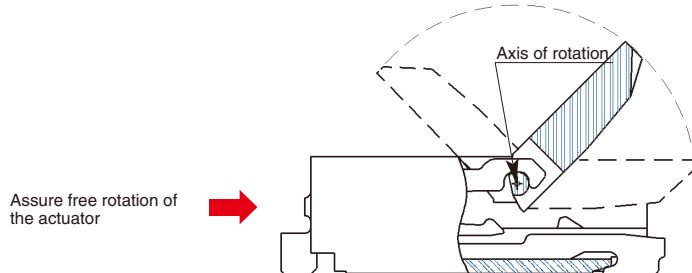
**Precautions When Inserting or Coupling FPC**

**Pay attention to the following points when inserting FPC.**

- ◆ **Actuator operation**
  - ① Do not apply excessive force when opening the actuator prior to FPC insertion. When opening make sure that the force is applied only to the actuator itself, avoiding touching of the contacts.

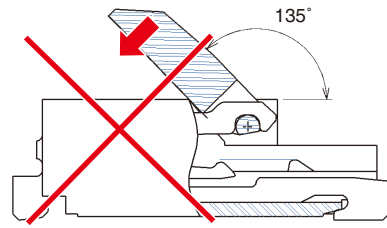


② **Axis of rotation**

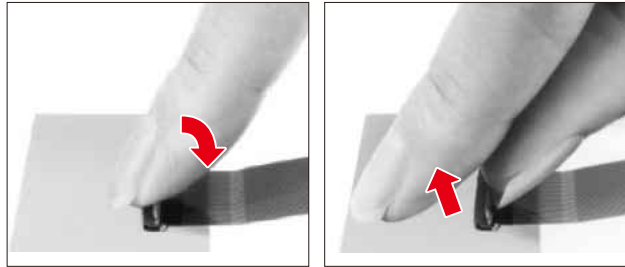


**Precautions**

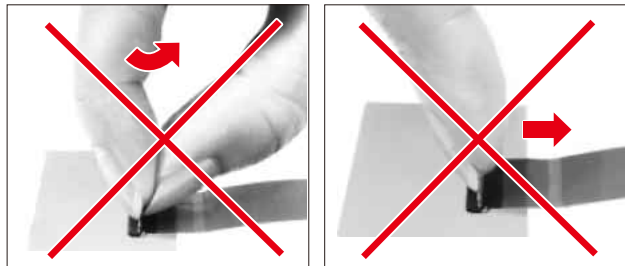
③ The actuator will rotate 135 degrees maximum. Do not apply force to rotate further. (1N max.)



④ When operating the actuator, do so at the center portion.

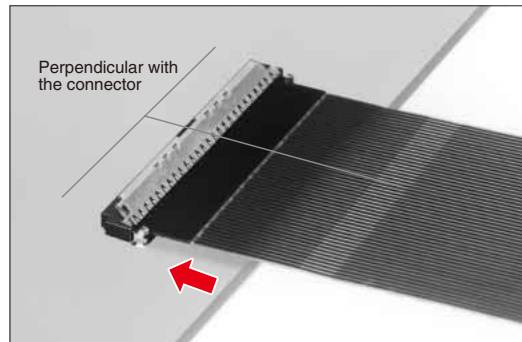
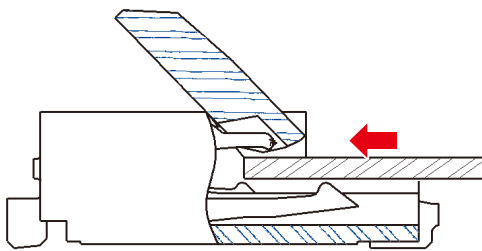


⑤ As illustrated, do not attempt removal or re-positioning of the actuator.



◆ FPC Insertion ①

The FPC should be aligned parallel with the board surface and perpendicular with the connector (as shown), then completely inserted.



To assure correct electrical and mechanical connection do not insert FPC at angle. It must be fully inserted.

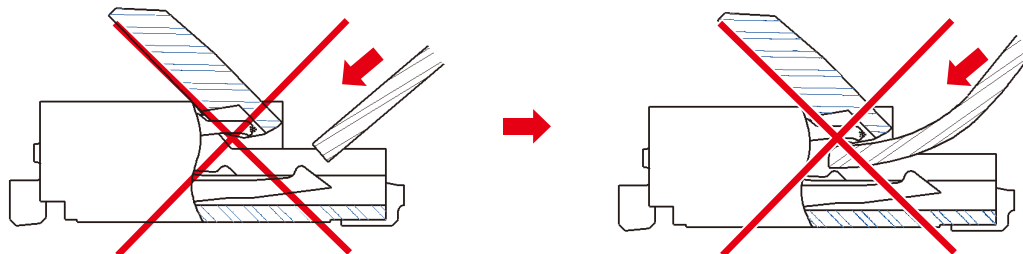
Make sure that the FPC is NOT MOVED during the closing of the actuator.

## Precautions

### ◆ FPC Insertion②

Do not insert the FPC at any angle from above.

As illustrated, angle insertion may cause electrical discontinuity when the FPC is deflected in use.



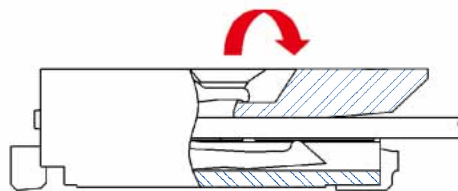
\*To avert insertion of the FPC on an angle, consideration should be given to securing FPC insertion space at the time of board layout. Insertion will be difficult when the FPC is too short.

\*Contact the FPC manufacturer for information about the bending specifications.

### ◆ Verification of the fully closed actuator.

The actuator should be fully closed (as illustrated) and the FPC held firmly in the connector.

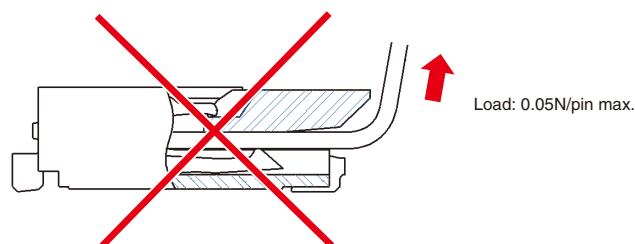
Do not press against the actuator when is fully closed. Max force applied to the fully closed actuator should not exceed 1 N.



### Routing the FPC (FPC fully inserted/ actuator closed)

#### ◆ FPC Load

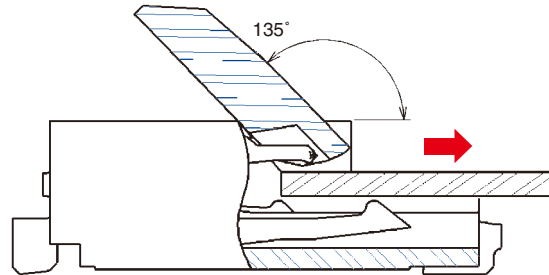
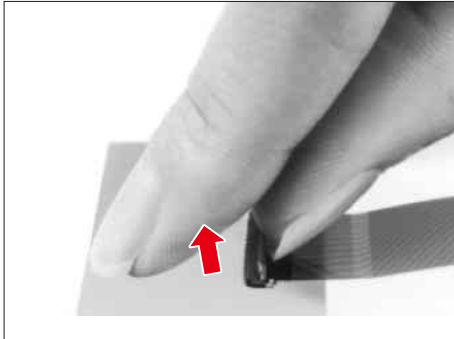
Do not apply force in excess of 0.05N/pin max. in the upward direction (as illustrated). Do not bend the FPC too close to the actuator.



## Precautions

### Removing the FPC

Rotate the actuator to the open position (maximum open angle of 135°). Carefully withdraw the FPC.



### Other Precautions

#### ◆Hand Soldering Precautions

When hand soldering:

- ① Do not perform reflow or hand soldering with the FPC inserted in the connector.
- ② Do not apply excessive heat or touch the soldering iron anywhere other than the connector leads.
- ③ Do not use excessive amount of solder or flux compounds.

Operation of the actuator and contacts may be affected by excessive amounts of solder or flux compounds.



## HIROSE ELECTRIC CO.,LTD.

6-3,Nakagawa Chuoh-2-Chome,Tsuzuki-Ku,Yokohama-Shi 224-8540,JAPAN  
 TEL: +81-45-620-3526 Fax: +81-45-591-3726  
<http://www.hirose.com>  
<http://www.hirose-connectors.com>

# Mouser Electronics

Authorized Distributor

Click to View Pricing, Inventory, Delivery & Lifecycle Information:

## Hirose Electric:

[FH26-41S-0.3SHW\(05\)](#) [FH26-35S-0.3SHW\(05\)](#) [FH26-25S-0.3SHW\(05\)](#) [FH26-33S-0.3SHW\(05\)](#) [FH26-31S-0.3SHW\(05\)](#) [FH26-13S-0.3SHW\(05\)](#) [FH26-27S-0.3SHW\(05\)](#) [FH26-23S-0.3SHW\(05\)](#) [FH26-21S-0.3SHW\(05\)](#) [FH26-51S-0.3SHW\(05\)](#) [FH26-17S-0.3SHW\(05\)](#) [FH26-45S-0.3SHW\(05\)](#) [FH26-57S-0.3SHW\(05\)](#) [FH26-15S-0.3SHW\(05\)](#) [FH26-39S-0.3SHW\(05\)](#) [FH26-71S-0.3SHW\(05\)](#) [FH26-61S-0.3SHW\(05\)](#) [FH26-29S-0.3SHW\(05\)](#) [FH26-37S-0.3SHW\(05\)](#) [FH26-55S-0.3SHW\(05\)](#) [FH26G-67S-0.3SHBW\(05\)](#) [FH26-13S-0.3SHW\(10\)](#) [FH26-15S-0.3SHW\(10\)](#) [FH26-17S-0.3SHW\(10\)](#) [FH26-21S-0.3SHW\(10\)](#) [FH26-23S-0.3SHW\(10\)](#) [FH26-25S-0.3SHW\(10\)](#) [FH26-27S-0.3SHW\(10\)](#) [FH26-29S-0.3SHW\(10\)](#) [FH26-31S-0.3SHW\(10\)](#) [FH26-35S-0.3SHW\(10\)](#) [FH26-37S-0.3SHW\(10\)](#) [FH26-39S-0.3SHW\(10\)](#) [FH26-41S-0.3SHW\(10\)](#) [FH26-45S-0.3SHW\(10\)](#) [FH26-55S-0.3SHW\(10\)](#) [FH26-57S-0.3SHW\(10\)](#) [FH26-61S-0.3SHW\(10\)](#) [FH26-71S-0.3SHW\(10\)](#) [FH26-13S-0.3SHW\(98\)](#) [FH26-13S-0.3SHW\(99\)](#) [FH26-15S-0.3SHW\(98\)](#) [FH26-15S-0.3SHW\(99\)](#) [FH26-17S-0.3SHW\(98\)](#) [FH26-17S-0.3SHW\(99\)](#) [FH26-21S-0.3SHW\(98\)](#) [FH26-21S-0.3SHW\(99\)](#) [FH26-23S-0.3SHW\(98\)](#) [FH26-23S-0.3SHW\(99\)](#) [FH26-25S-0.3SHW\(98\)](#) [FH26-25S-0.3SHW\(99\)](#) [FH26-27S-0.3SHW\(98\)](#) [FH26-27S-0.3SHW\(99\)](#) [FH26-29S-0.3SHW\(98\)](#) [FH26-29S-0.3SHW\(99\)](#) [FH26-31S-0.3SHW\(98\)](#) [FH26-31S-0.3SHW\(99\)](#) [FH26-33S-0.3SHW\(10\)](#) [FH26-33S-0.3SHW\(98\)](#) [FH26-33S-0.3SHW\(99\)](#) [FH26-35S-0.3SHW\(98\)](#) [FH26-35S-0.3SHW\(99\)](#) [FH26-37S-0.3SHW\(98\)](#) [FH26-37S-0.3SHW\(99\)](#) [FH26-39S-0.3SHW\(15\)](#) [FH26-39S-0.3SHW\(98\)](#) [FH26-39S-0.3SHW\(99\)](#) [FH26-41S-0.3SHW\(98\)](#) [FH26-41S-0.3SHW\(99\)](#) [FH26-45S-0.3SHW\(98\)](#) [FH26-45S-0.3SHW\(99\)](#) [FH26-51S-0.3SHW\(10\)](#) [FH26-51S-0.3SHW\(98\)](#) [FH26-51S-0.3SHW\(99\)](#) [FH26-55S-0.3SHW\(98\)](#) [FH26-55S-0.3SHW\(99\)](#) [FH26-57S-0.3SHW\(98\)](#) [FH26-57S-0.3SHW\(99\)](#) [FH26-61S-0.3SHW\(98\)](#) [FH26-61S-0.3SHW\(99\)](#) [FH26-71S-0.3SHW\(98\)](#) [FH26-71S-0.3SHW\(99\)](#) [FH26G-67S-0.3SHBW\(98\)](#) [FH26J-17S-0.3SHW\(10\)](#) [FH26J-23S-0.3SHW\(10\)](#) [FH26J-25S-0.3SHW\(10\)](#) [FH26J-27S-0.3SHW\(10\)](#) [FH26J-29S-0.3SHW\(10\)](#) [FH26J-33S-0.3SHW\(10\)](#) [FH26J-39S-0.3SHW\(10\)](#) [FH26J-41S-0.3SHW\(10\)](#) [FH26W-13S-0.3SHW\(05\)](#) [FH26W-13S-0.3SHW\(10\)](#) [FH26W-13S-0.3SHW\(98\)](#) [FH26W-13S-0.3SHW\(99\)](#) [FH26W-15S-0.3SHW\(05\)](#) [FH26W-15S-0.3SHW\(10\)](#) [FH26W-15S-0.3SHW\(98\)](#) [FH26W-15S-0.3SHW\(99\)](#) [FH26W-17S-0.3SHW\(05\)](#)