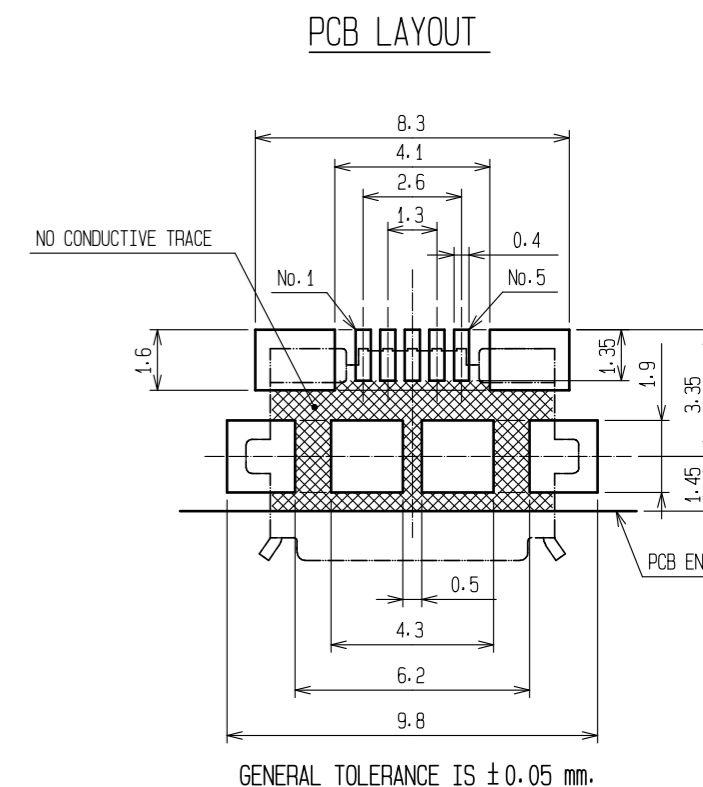
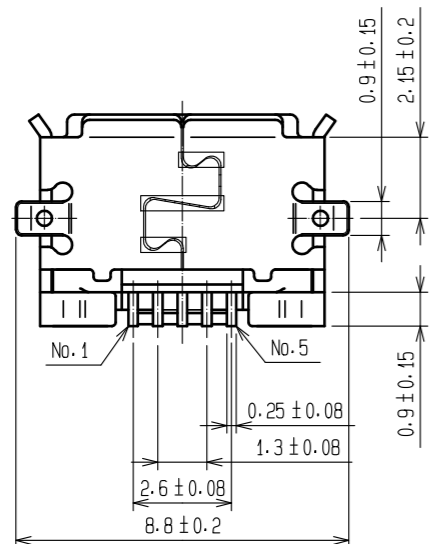
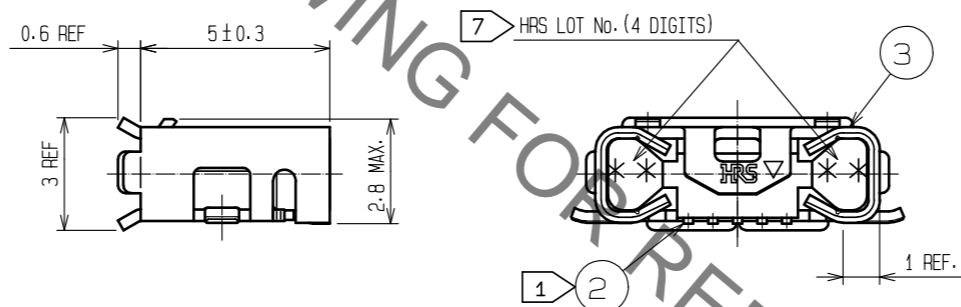
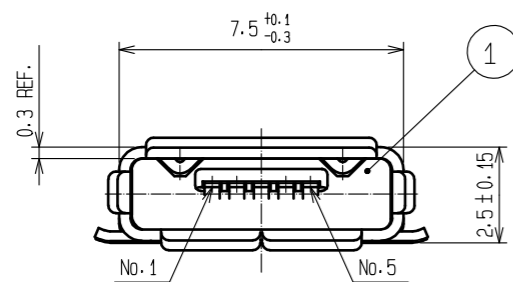
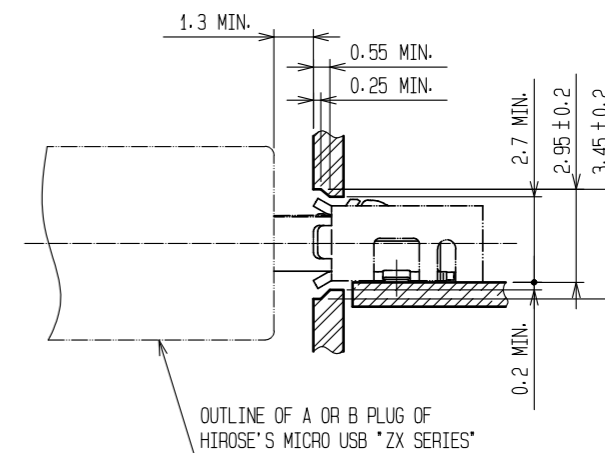
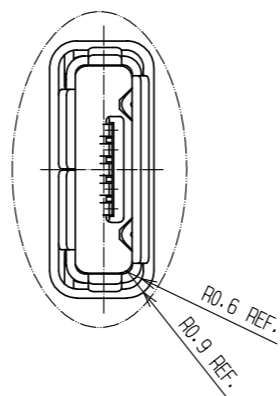
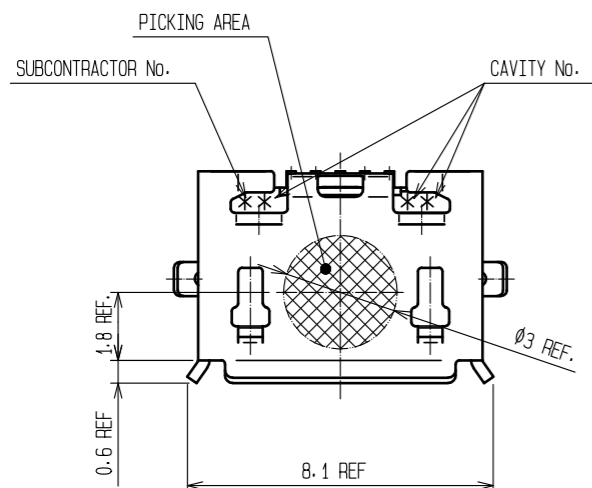


Aug.1.2021 Copyright 2021 HIROSE ELECTRIC CO., LTD. All Rights Reserved.  
In case of consideration for using Automotive equipment / device which demand high reliability, kindly contact our sales window correspondents.

RECOMMENDED PANEL CUTOUT (4:1)

MATED WITH CORRESPONDING PLUG (4:1)

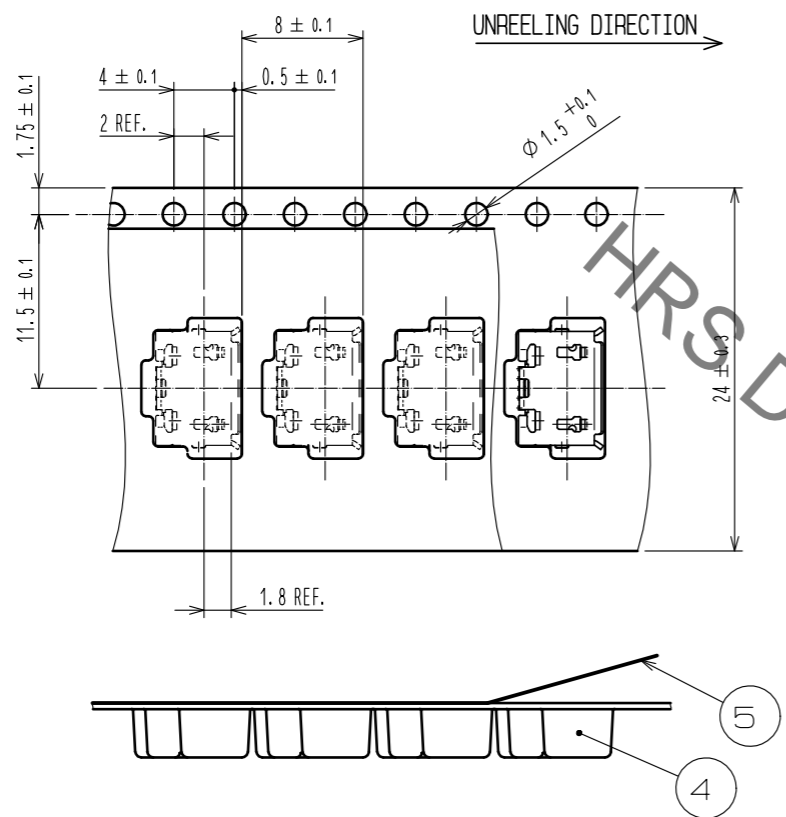


- NOTES
- 1 CO-PLANARITY IS WITHIN 0.08 mm.
  - 2 PLATING  
CONTACT AREA : GOLD 0.75µm min.  
LEAD AREA : GOLD 0.05µm min.  
UNDER PLATING: NICKEL 2µm min.
  - 3 PER REEL : 3500 pcs.
  - 4. INTERFACE DIMENSIONS CONFORM TO USB2.0 SPECIFICATION.
  - 5. AS FOR PART No.3, THE PERFORMANCE REMAINS GOOD EVEN IF THERE ARE RUBBING WOUNDS BY THE ASSEMBLY PROCESS. AND, THE PERFORMANCE REMAINS GOOD THOUGH THERE MIGHT BE A DIFFERENCE IN THE PLATING LUSTER BETWEEN EACH PLATING SUBCONTRACT COMPANIES.
  - 6. AS FOR PART No.1 A PART OF SHAPE MAY BECOME DIFFERENT DEPENDING ON THE PRODUCTION METHOD.
  - 7 CODE CONFIGURATION IS SHOWN IN FIG.1.

2	COPPER ALLLOY	2	5	PE			
1	LCP	GRAY, UL94V-0	4	PS			
			3	STAINLESS STEEL	OVER PLATING:TIN 1µm min. LUBRICANT		
NO.	MATERIAL	FINISH . REMARKS	NO.	MATERIAL	FINISH . REMARKS		
UNITS	⊙	SCALE	COUNT	DESCRIPTION OF REVISIONS	DESIGNED	CHECKED	DATE
mm		5 : 1	△				
<b>HRS</b> HIROSE ELECTRIC CO., LTD.		APPROVED : NM. NISHIMATSU	15.10.27	DRAWING NO. EDC-126557-31-00			
		CHECKED : KN. ICHIKAWA	15.10.27	PART NO. ZX62-AB-5PA(31)			
		DESIGNED : TS. ITO	15.10.27	CODE NO. CL242-0045-7-31			
		DRAWN : AK. AKIYAMA	15.10.27			1/2	

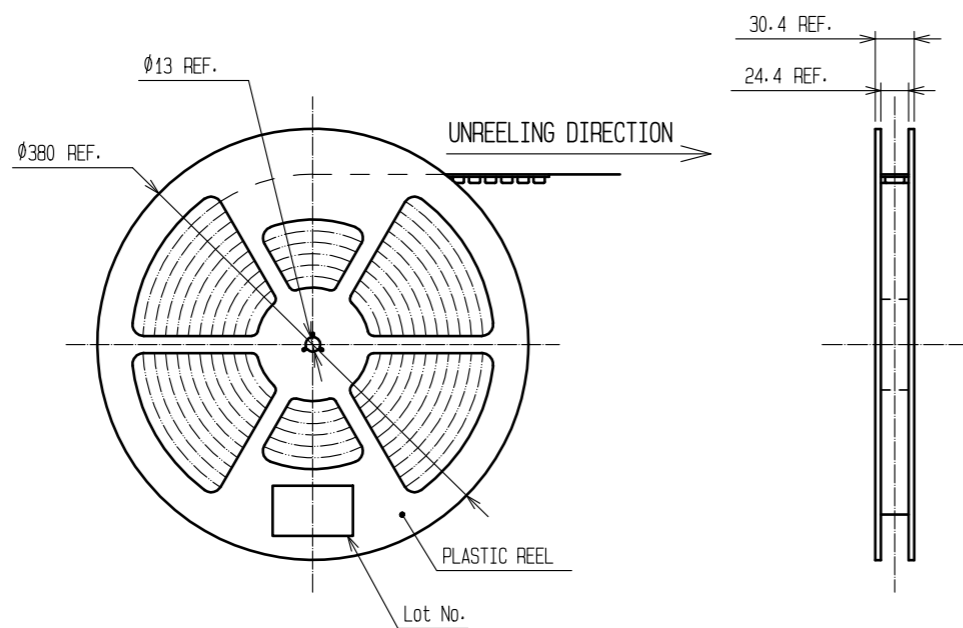
Aug.1.2021 Copyright 2021 HIROSE ELECTRIC CO., LTD. All Rights Reserved.  
 In case of consideration for using Automotive equipment / device which demand high reliability, kindly contact our sales window correspondents.

3 DRAWING FOR PACKING (FREE)



7 FIG-1 LOT CODE CONFIGURATIONS FOR 4 DIGITS

YEAR		MONTH		DAY						LINE No.	
YEAR	CODE	MONTH	CODE	DAY	CODE	DAY	CODE	DAY	CODE	LINE No.	CODE
2007	7	Jan.	A	1	1	11	B	21	M	1	A
2008	8	Feb.	B	2	2	12	C	22	N	2	B
2009	9	Mar.	C	3	3	13	D	23	P	3	C
2010	0	Apr.	D	4	4	14	E	24	Q	4	D
2011	1	May.	E	5	5	15	F	25	R	5	E
		Jun.	F	6	6	16	G	26	S	6	F
		Jul.	G	7	7	17	H	27	T	7	G
		Aug.	H	8	8	18	J	28	U	8	H
		Sep.	I	9	9	19	K	29	V	9	I
		Oct.	J	10	A	20	L	30	W	10	J
		Nov.	K					31	X	11	K
		Dec.	L								



HRS DRAWING FOR REFERENCE

<b>HRS</b>	DRAWING NO.	EDC-126557-31-00
	PART NO.	ZX62-AB-5PA(31)
	CODE NO.	CL242-0045-7-31

2 / 2

# Mouser Electronics

Authorized Distributor

Click to View Pricing, Inventory, Delivery & Lifecycle Information:

[Hirose Electric:](#)

[ZX62-AB-5PA\(31\)](#)