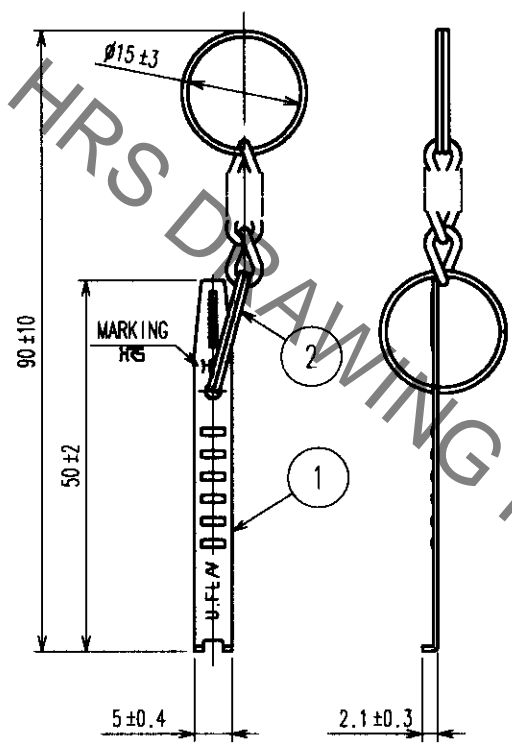


Jan.1.2022 Copyright 2022 HIROSE ELECTRIC CO., LTD. All Rights Reserved.  
In case of consideration for using Automotive equipment / device which demand high reliability, kindly contact our sales window correspondents.

1		2			3			4		
COUNT	DESCRIPTION OF REVISIONS	BY	CHKD	DATE	COUNT	DESCRIPTION OF REVISIONS	BY	CHKD	DATE	
△					△					
△					△					
△					△					

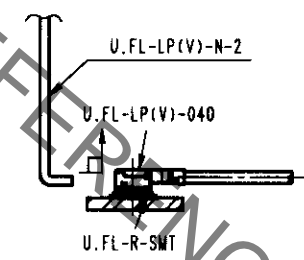


**NOTES**

1. THIS JIG IS FOR WITHDRAWING U.FL-LP(V)-040 CONNECTOR. L-SHAPED BENDING PORTION OF THIS JIG SHALL BE INSERTED INTO CONNECTOR AND HOOKED ON THE CONNECTOR CAP AND WITHDRAWN.

THIS JIG CANNOT BE APPLIED TO SAME SERIES SHOWN BELOW. U.FL-LP-040. U.FL-LP-066

NEVER PULL CABLE TO EXTRACT THE CONNECTOR, OTHERWISE WILL RESULT TO CONNECTOR DAMAGE.



2. ONE EXAMPLE OF SHAPE OF CHAIN, REF. No. ② IS SHOWN.

1	STAINLESS STEEL	DEGREASING	2	STEEL	NICKEL PLATED
NO.	MATERIAL	FINISH, REMARKS	NO.	MATERIAL	FINISH, REMARKS
CODE NO. (OLD) CL		DRAWN S.YAMAGUCHI 02.11.06	DESIGNED S.YAMAGUCHI 02.11.06	CHECKED <i>H. Shimizu</i> 02.11.09	APPROVED <i>Kobayashi</i> 02.11.09
DRAWING NO. EDC4-138132		PART NO. U.FL-LP(V)-N-2			
UNITS mm		CODE NO. CL331-0493-2			1/1

TO
RF



# Mouser Electronics

Authorized Distributor

Click to View Pricing, Inventory, Delivery & Lifecycle Information:

[Hirose Electric:](#)

[U.FL-LP\(V\)-N-2](#)