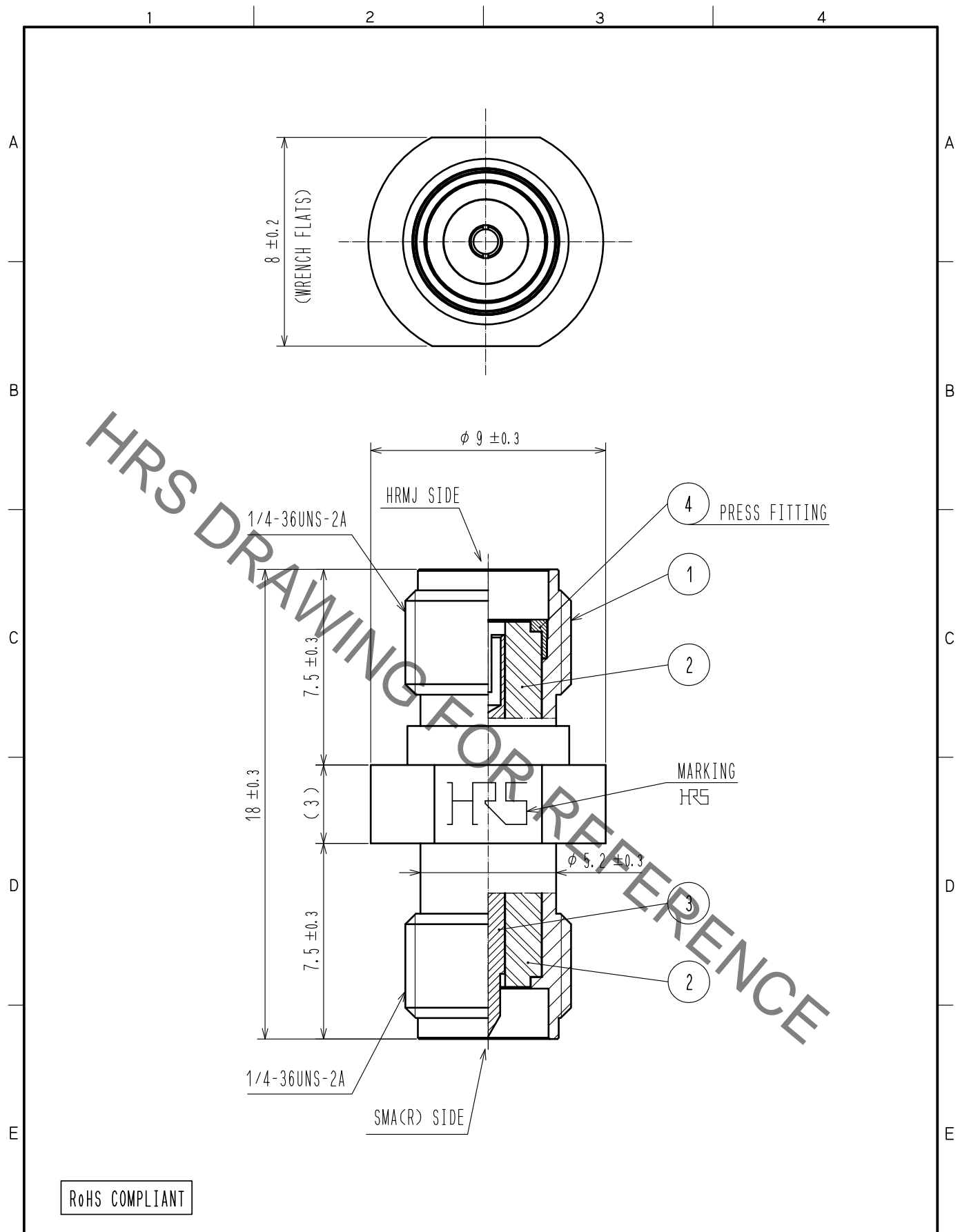


Sep.1.2021 Copyright 2021 HIROSE ELECTRIC CO., LTD. All Rights Reserved.
 In case of consideration for using Automotive equipment / device which demand high reliability, kindly contact our sales window correspondents.



RoHS COMPLIANT

2	PTFE		4	STAINLESS STEEL	PASSIVATED		
1	STAINLESS STEEL	PASSIVATED	3	BERYLLIUM COPPER	GOLD PLATING		
NO.	MATERIAL	FINISH . REMARKS	NO.	MATERIAL	FINISH . REMARKS		
UNITS mm		SCALE 5 : 1	COUNT	DESCRIPTION OF REVISIONS	DESIGNED	CHECKED	DATE
HIROSE ELECTRIC CO., LTD.	APPROVED	: KY. SHIMIZU	16.07.07	DRAWING NO.	EDC-366796-00-00		
	CHECKED	: KY. SHIMIZU	16.07.07	PART NO.	HRMJ-SMA(R)J		
	DESIGNED	: MH. OGUSU	16.07.07	CODE NO.	CL323-0011-0-00		1/1
	DRAWN	: MH. OGUSU	16.07.07				

Mouser Electronics

Authorized Distributor

Click to View Pricing, Inventory, Delivery & Lifecycle Information:

[Hirose Electric:](#)

[HRMJ-SMA\(R\)J](#)