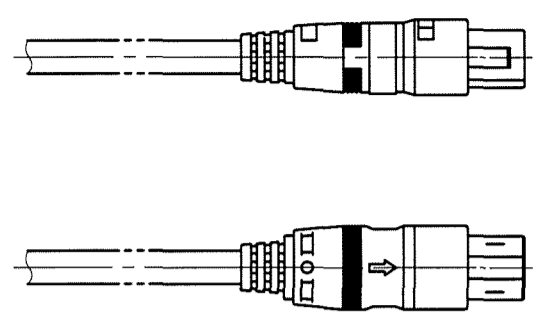
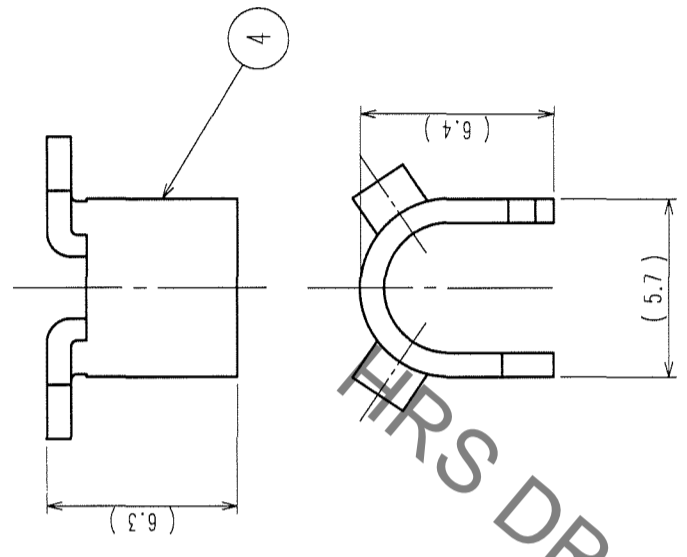
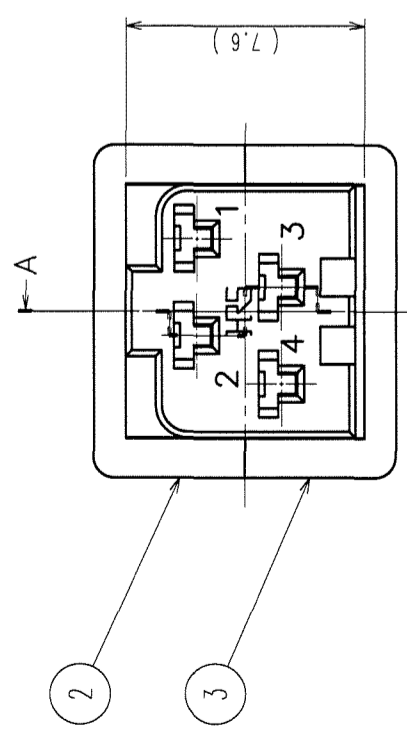
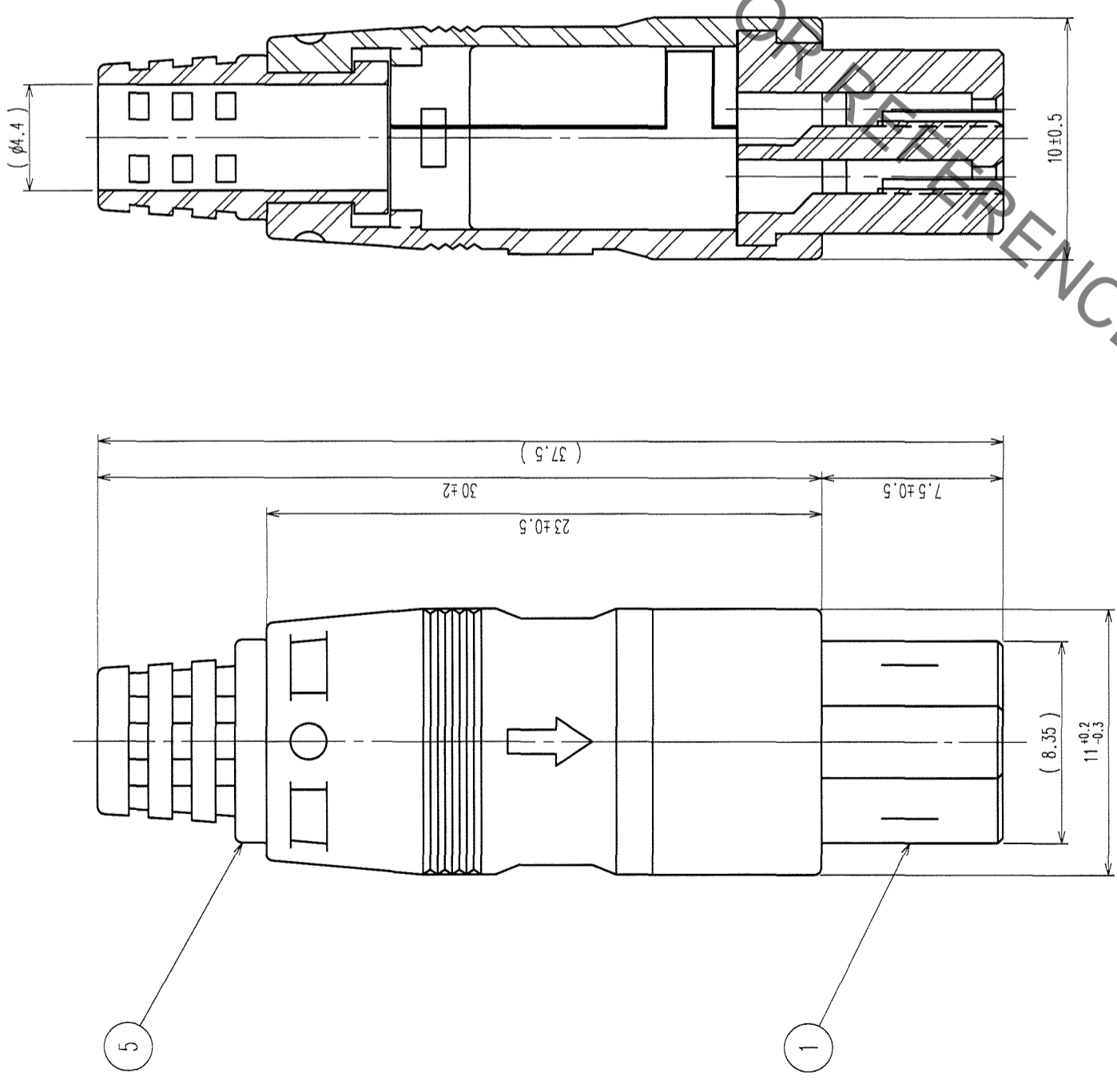


COUNT	DESCRIPTION OF REVISIONS	BY	CHKD	DATE	COUNT	DESCRIPTION OF REVISIONS	BY	CHKD	DATE
△					△				
△					△				
△					△				

A-A



(1:1)

HRS DRAWING FOR REFERENCE

- NOTE 1 APPLICABLE CLIMP CONTACT: RP34-SC-212 (CL113-5043-5)
- 2 APPLICABLE CLIMP CONTACT EXTRACTION TOOL: RP34-SC-TP (CL150-0072-6)
- 3 APPLICABLE CLIPPING JIG: RP34-TC-01 (CL150-0074-1)
- 4 THIS PRODUCT DISASSEMBLED WHEN DELIVERED

3	POLYCARBONATE (BLACK)	UL94V-0	5	VINYLE (BLACK)	UL94V-0
2	POLYCARBONATE (BLACK)	UL94V-0	4	BRASS	UL94V-0
1	POLYCARBONATE (BLACK)	UL94V-0			
NO.	MATERIAL	FINISH, REMARKS	NO.	MATERIAL	FINISH, REMARKS

CODE NO. (OLD)	CL	DRAWN	DESIGNED	CHECKED	APPROVED	RELEASED
		<i>H. Yamada</i>	<i>D. Motomura</i>	<i>E. Kunita</i>	<i>M. Sato</i>	
		05-12-19	05-12-19	05-12-19	05-12-20	

DRAWING NO. EDC3-110262-71
 PART NO. RP34-8SP-4SC(71)

SCALE 4 : 1
 UNITS mm
HRS HIROSE ELECTRIC CO., LTD.
 CODE NO. CL113-5097-4-71

Mouser Electronics

Authorized Distributor

Click to View Pricing, Inventory, Delivery & Lifecycle Information:

[Hirose Electric:](#)

[RP34-8SP-4SC\(71\)](#)