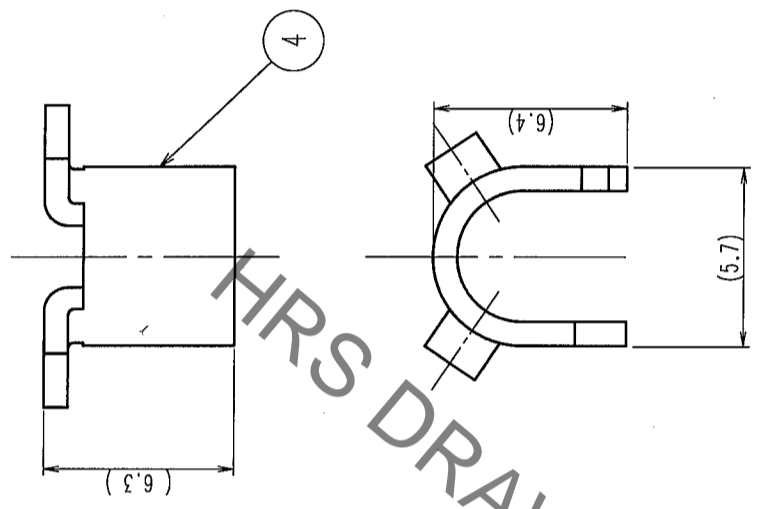
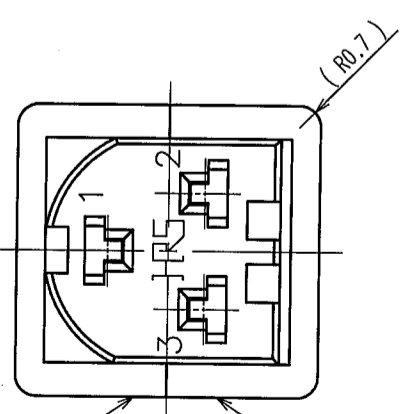
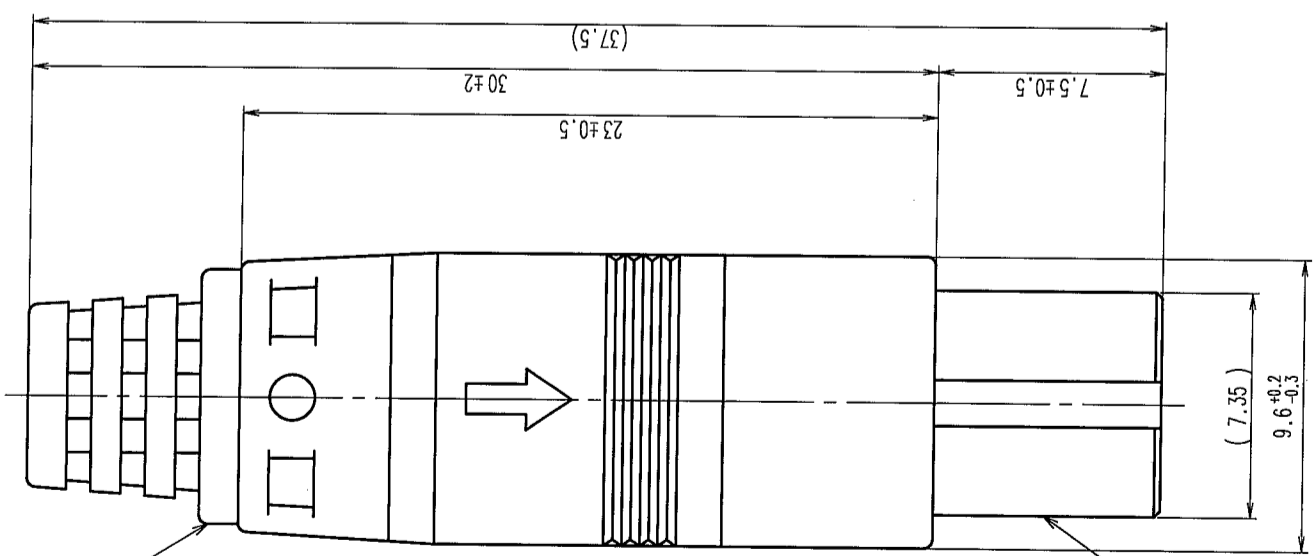
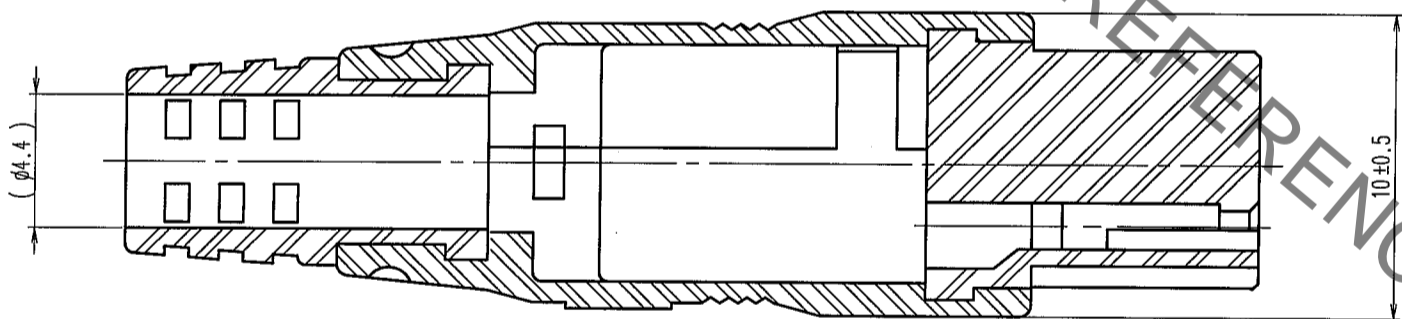


COUNT	DESCRIPTION OF REVISIONS	BY	CHKD	DATE	COUNT	DESCRIPTION OF REVISIONS	BY	CHKD	DATE
△					△				
△					△				
△					△				



1:1

- NOTE 1 APPLICABLE CRIMP CONTACT: RP34-SC-212  
 2 APPLICABLE CRIMP CONTACT EXTRACTION TOOL: RP34-SC-TP  
 3 APPLICABLE CLAMPING TOOL: RP34-TC-01  
 4 THIS PRODUCT DISASSEMBLED WHEN DELIVERED.

3	POLYCARBONATE (BLACK) UL94V-0				
2	POLYCARBONATE (BLACK) UL94V-0	5	PVC	(BLACK) UL94V-0	
1	POLYCARBONATE (BLACK) UL94V-0	4	BRASS		
NO.	MATERIAL	FINISH, REMARKS	NO.	MATERIAL	FINISH, REMARKS

CODE NO. (OLD) CL		DRAWN M. Ishihara		DESIGNED E. Yumino		CHECKED H. Zemba		APPROVED M. Sato		RELEASED	
		05.9.26		05.09.26		05.09.26		05.09.26			
DRAWING NO. EDC3-045015-71		PART NO. RP34-8SP-3SC(71)									
SCALE 4 : 1		UNITS mm									
										CODE NO. CL113-5049-1-71	

**HRS** HIROSE ELECTRIC CO., LTD.

# Mouser Electronics

Authorized Distributor

Click to View Pricing, Inventory, Delivery & Lifecycle Information:

[Hirose Electric:](#)

[RP34-8SP-3SC\(71\)](#)