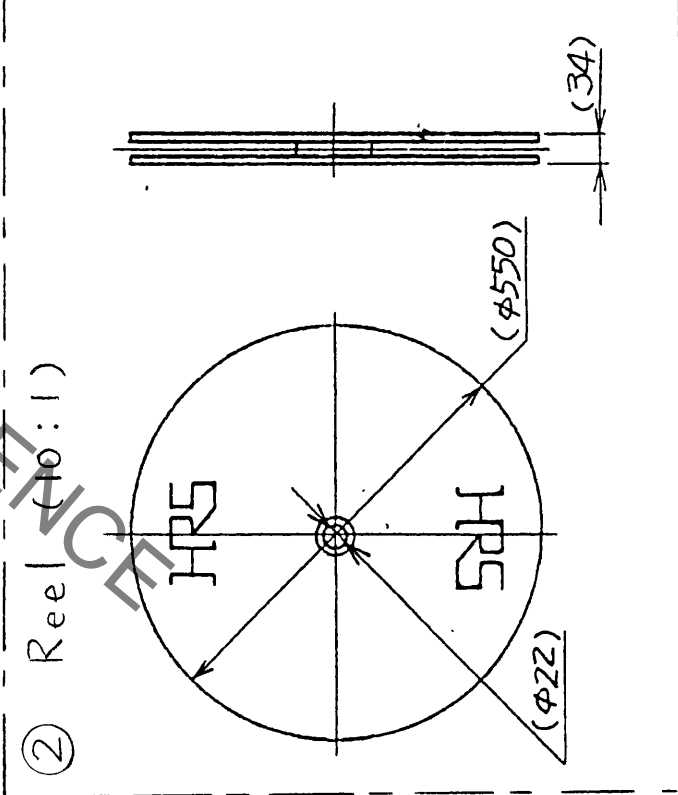
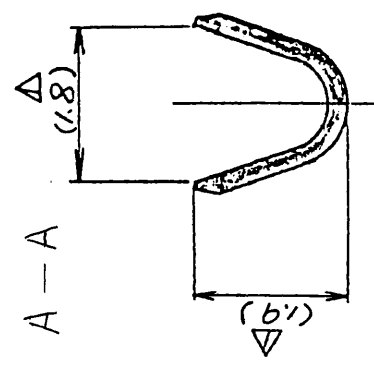
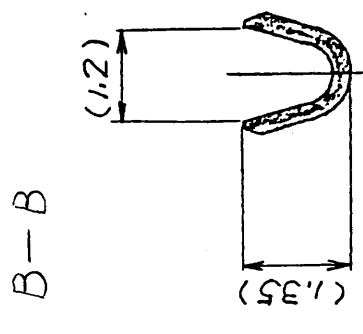
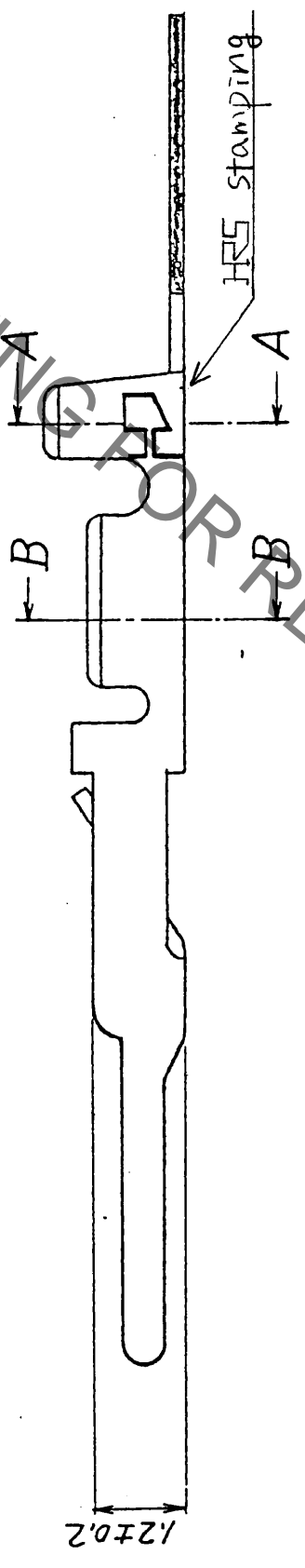
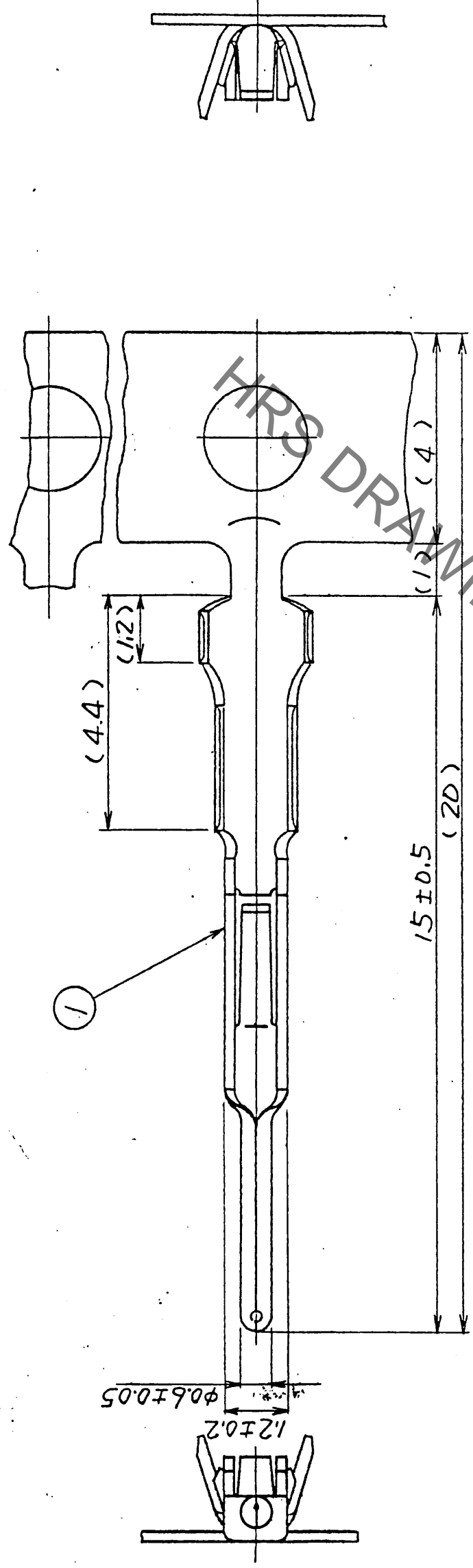


5	6	7	8
COUNT DESCRIPTION OF REVISIONS BY CHKD DATE	COUNT DESCRIPTION OF REVISIONS BY CHKD DATE	COUNT DESCRIPTION OF REVISIONS BY CHKD DATE	COUNT DESCRIPTION OF REVISIONS BY CHKD DATE



Note.1 Applicable wire : AWG # 24 ~ # 30

1	Phosphor bronze Silver plated	(n=1000)	2	Carton	(Reel)				
NO.	MATERIAL	FINISH . REMARKS	NO.	MATERIAL	DESIGNED	CHECKED	APPROVED	RELEASED	
					J. Kaneko	J. Kaneko	J. Kaneko	J. Kaneko	
DRAWING NAME		DRAWING NO.		PART NO.		FINISH . REMARKS		RELEASED	
DRAWING FOR APPROVAL		ADC3 - 10240		RP17-PC-222		4.13.93 4.13.93 4.13.93		4.13.93	
SCALE		UNITS		CODE NO.					
10:1		m.m		HRS HIROSE ELECTRIC CO., LTD.					

TO	

Mouser Electronics

Authorized Distributor

Click to View Pricing, Inventory, Delivery & Lifecycle Information:

[Hirose Electric:](#)

[RP17-PC-222](#)