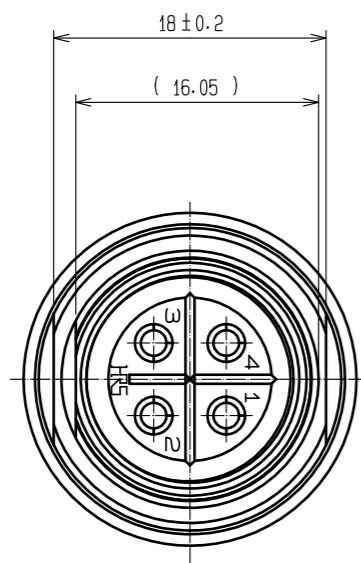
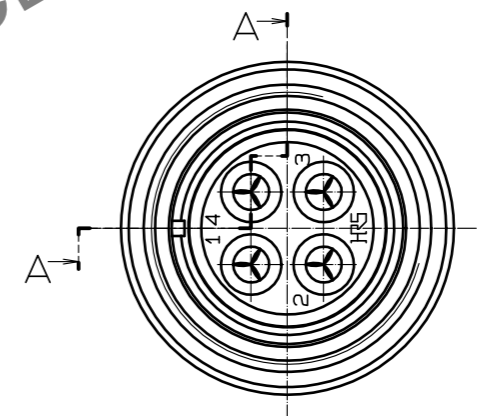
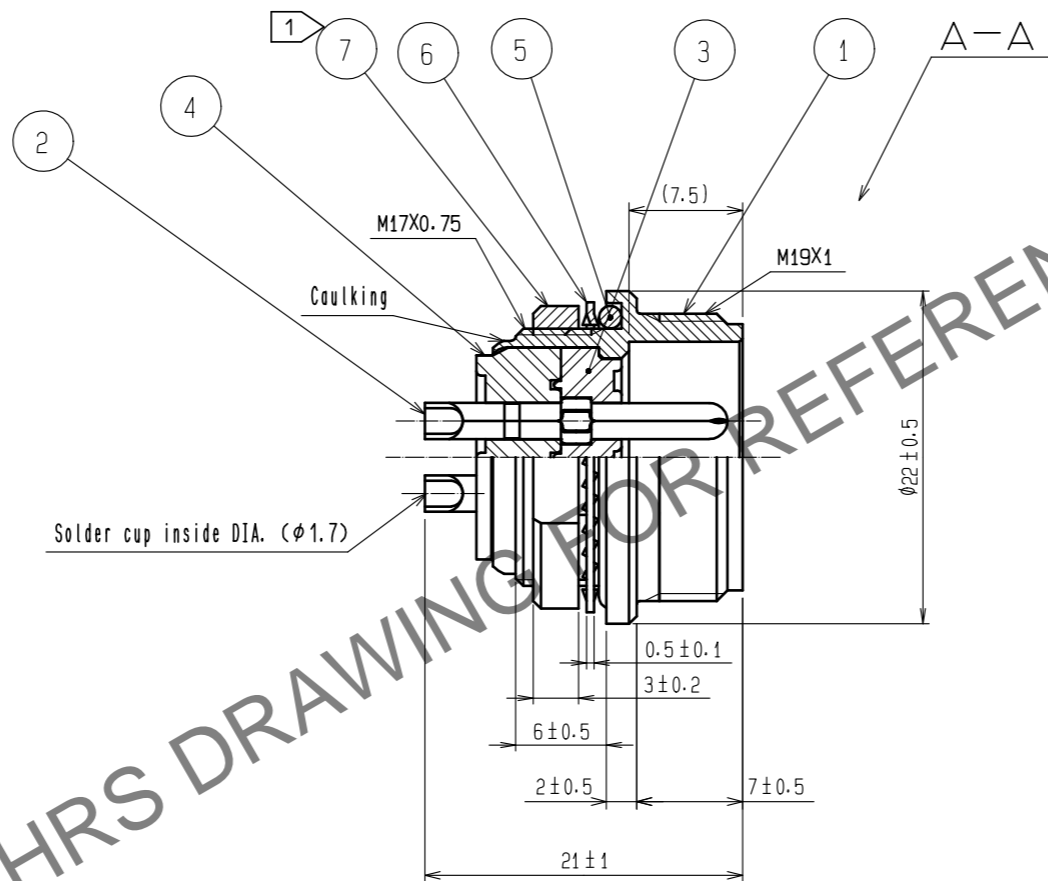
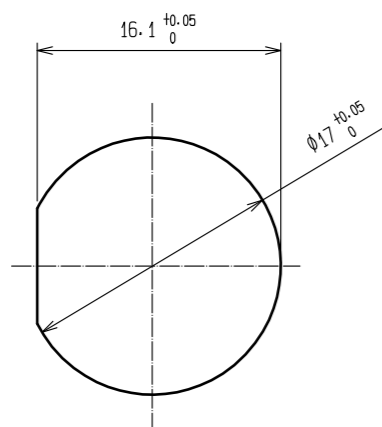


May.1.2024 Copyright 2024 HIROSE ELECTRIC CO., LTD. All Rights Reserved.  
In case of consideration for using Automotive equipment / device which demand high reliability, kindly contact our sales window correspondents.



Panel cutout  
Panel thickness : t = 0.5 to 2



HRS DRAWING FOR REFERENCE

- Notes
- ① The recommended tightening torque of REF. No. ⑦ : 3 N·m.  
Thread locker to the threaded portion of REF. No. ① is recommended to prevent REF. No. ⑦ from loosening.  
Recommended thread locker : LOCTITE 243, HENKEL JAPAN CO. LTD.
  - ② Plating.  
Surface : Gold 0.2 μm min.  
Under : Nickel 3 μm min.

NO.	MATERIAL	FINISH . REMARKS	NO.	MATERIAL	FINISH . REMARKS
4	Diallyl phthalate	(Black) UL94V-0			
3	Diallyl phthalate	(Black) UL94V-0	7	Brass	Nickel plating
2	Brass	②	6	Phosphor bronze	Nickel plating
1	Zinc alloy	Chrome plating	5	Silicone rubber	Black

UNITS mm		SCALE 2 : 1	COUNT 	DESCRIPTION OF REVISIONS	DESIGNED	CHECKED	DATE
<b>HRS</b> HIROSE ELECTRIC CO., LTD.		APPROVED : TP. KOMATSU	20210528	DRAWING NO.	EDC-111073-77-00		
		CHECKED : HY. KOBAYASHI	20210528	PART NO.	RM15WTRZ-4P(77)		
		DESIGNED : TY. SUZUKI	20210527	CODE NO.	CL0109-1633-8-77		
		DRAWN : KR. SUZUKI	20210519				

# Mouser Electronics

Authorized Distributor

Click to View Pricing, Inventory, Delivery & Lifecycle Information:

[Hirose Electric:](#)

[RM15WTRZ-4P\(77\)](#)