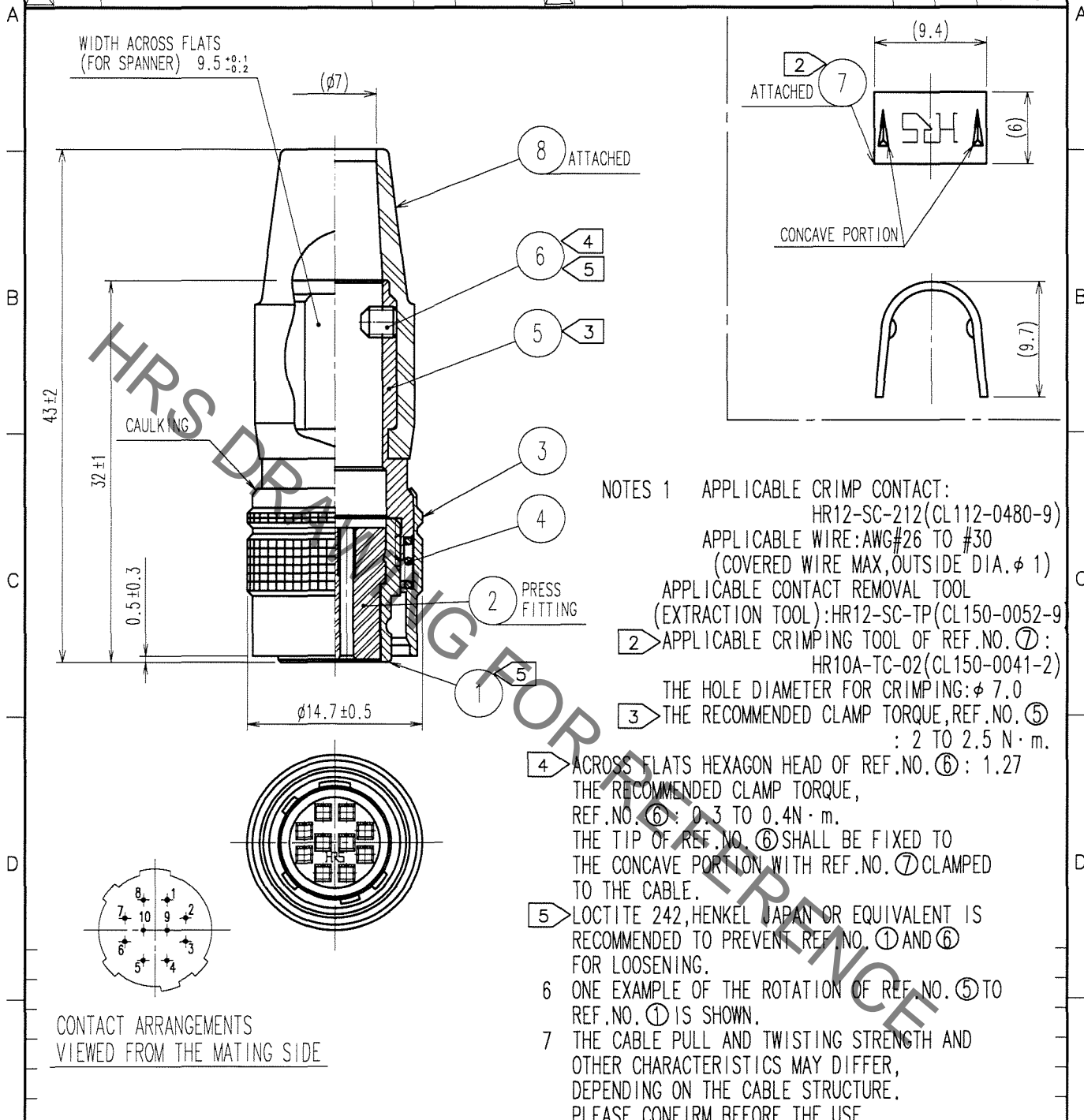


Jul. 1. 2019 Copyright 2019 HIROSE ELECTRIC CO., LTD. All Rights Reserved.
In case of consideration for using Automotive equipment / device which demand high reliability, kindly contact our sales window correspondents.

1					2					3					4				
COUNT	DESCRIPTION OF REVISIONS				BY	CHKD	DATE	COUNT	DESCRIPTION OF REVISIONS				BY	CHKD	DATE				
△								△											
△								△											
△								△											



- NOTES 1 APPLICABLE CRIMP CONTACT:
HR12-SC-212 (CL112-0480-9)
APPLICABLE WIRE: AWG#26 TO #30
(COVERED WIRE MAX, OUTSIDE DIA. φ 1)
APPLICABLE CONTACT REMOVAL TOOL
(EXTRACTION TOOL): HR12-SC-TP (CL150-0052-9)
- ② APPLICABLE CRIMPING TOOL OF REF. NO. ⑦:
HR10A-TC-02 (CL150-0041-2)
- THE HOLE DIAMETER FOR CRIMPING: φ 7.0
- ③ THE RECOMMENDED CLAMP TORQUE, REF. NO. ⑤:
2 TO 2.5 N·m.
- ④ ACROSS FLATS HEXAGON HEAD OF REF. NO. ⑥: 1.27
THE RECOMMENDED CLAMP TORQUE,
REF. NO. ⑥: 0.3 TO 0.4 N·m.
THE TIP OF REF. NO. ⑥ SHALL BE FIXED TO
THE CONCAVE PORTION WITH REF. NO. ⑦ CLAMPED
TO THE CABLE.
- ⑤ LOCTITE 242, HENKEL JAPAN OR EQUIVALENT IS
RECOMMENDED TO PREVENT REF. NO. ① AND ⑥
FOR LOOSENING.
- ⑥ ONE EXAMPLE OF THE ROTATION OF REF. NO. ⑤ TO
REF. NO. ① IS SHOWN.
- ⑦ THE CABLE PULL AND TWISTING STRENGTH AND
OTHER CHARACTERISTICS MAY DIFFER,
DEPENDING ON THE CABLE STRUCTURE.
PLEASE CONFIRM BEFORE THE USE.

CONTACT ARRANGEMENTS
VIEWED FROM THE MATING SIDE

4	STEEL	NICKEL PLATING	8	CHLOROPRENE RUBBER (BLACK)	
3	BRASS	MATTE FINISH NICKEL PLATED	7	BRASS	
2	POLYBUTYLENE TEREPHTHALATE (BLACK)	UL94V-0	6	STEEL NICKEL PLATING M2.6×0.45×3	
1	ZINC ALLOY	MATTE FINISH NICKEL PLATED	5	BRASS NICKEL PLATING	
NO.	MATERIAL	FINISH, REMARKS	NO.	MATERIAL	FINISH, REMARKS

CODE NO. (OLD) CL		DRAWN <i>M. Sato</i>	DESIGNED <i>J. Takami</i>	CHECKED <i>E. Kuroki</i>	APPROVED <i>M. Sato</i>	RELEASED
		07.03.08	07.03.09	07.03.12	07.03.13	
DRAWING NO. EDC4-026324-73		PART NO. HR10A-10P-10SC(73)				
SCALE 2 : 1		CODE NO. CL110-0602-9-73				
UNITS mm		HIROSE ELECTRIC CO., LTD.				

TO
R

Mouser Electronics

Authorized Distributor

Click to View Pricing, Inventory, Delivery & Lifecycle Information:

[Hirose Electric:](#)

[HR10A-10P-10SC\(73\)](#)