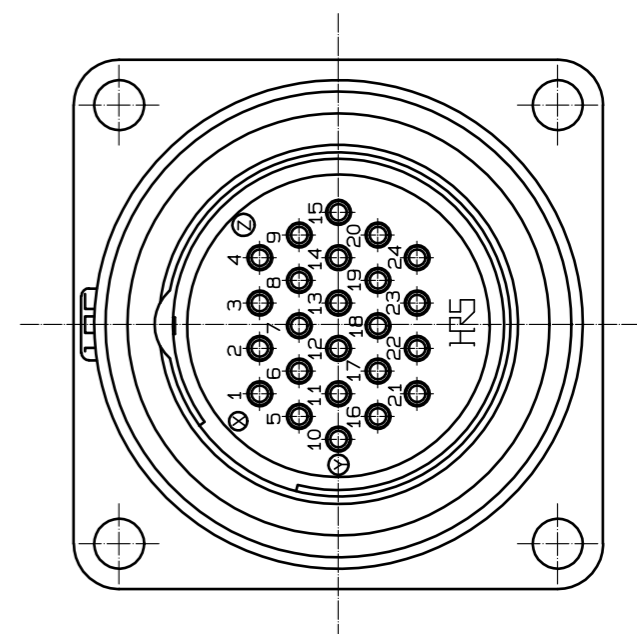
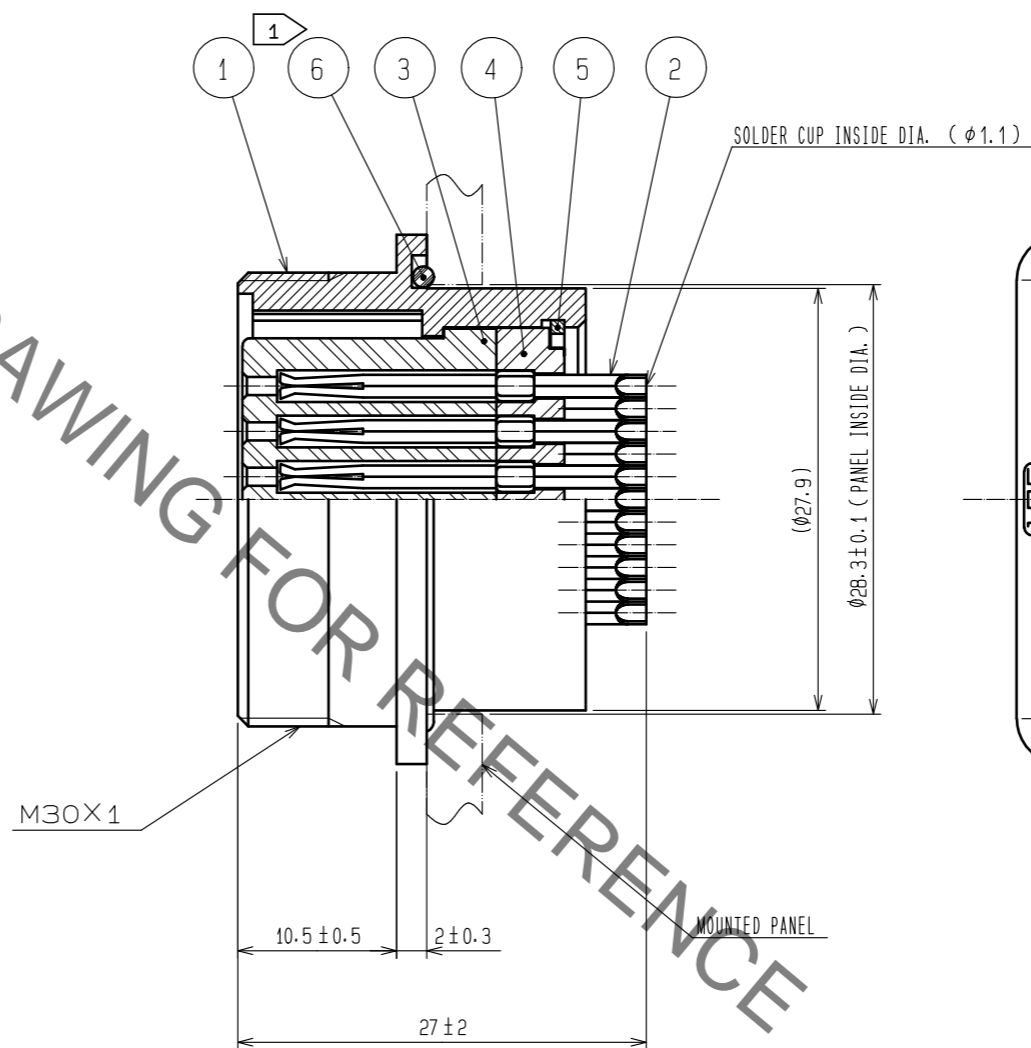
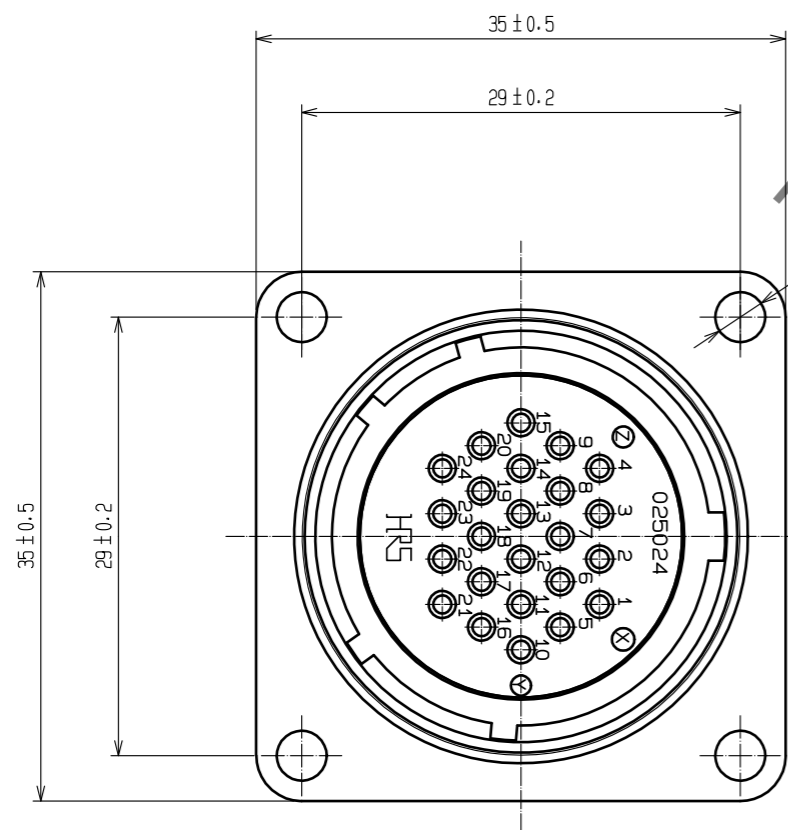


Jan.1.2022 Copyright 2022 HIROSE ELECTRIC CO., LTD. All Rights Reserved.  
 In case of consideration for using Automotive equipment / device which demand high reliability, kindly contact our sales window correspondents.



NOTE ① WHEN MOUNTED ON CHASSIS, BE CAREFUL THAT REFERENCE NO. ⑥ IS FITTED INTO THE INDICATES GROOVE ANY BITING.

3	PHENOL-FORMALDEHYDE	(BLACK)	UL94V-0	6	NBR	(BLACK)			
2	BRASS	SILVER PLATING 2 μm min.		5	PHOSPHOR BRONZE	NICKEL PLATING			
1	ALUMINUM ALLOY	BLACK CHROME PLATING		4	PHENOL-FORMALDEHYDE	(BLACK) UL94V-0			
NO.	MATERIAL	FINISH	REMARKS	NO.	MATERIAL	FINISH	REMARKS		
UNITS	mm	SCALE	2 : 1	COUNT	DESCRIPTION OF REVISIONS		DESIGNED	CHECKED	DATE
<b>HRS</b> HIROSE ELECTRIC CO., LTD.		APPROVED	: HY. KOBAYASHI	18.02.26	DRAWING NO.		EDC-110547-31-00		
		CHECKED	: HY. KOBAYASHI	18.02.26	PART NO.		JR25WR-24S(31)		
		DESIGNED	: TH. KAMEYA	18.02.23	CODE NO.		CL114-2044-8-31		
		DRAWN	: MK. INOUE	18.02.23			①/1		

# Mouser Electronics

Authorized Distributor

Click to View Pricing, Inventory, Delivery & Lifecycle Information:

[Hirose Electric:](#)

[JR25WR-24S\(31\)](#)