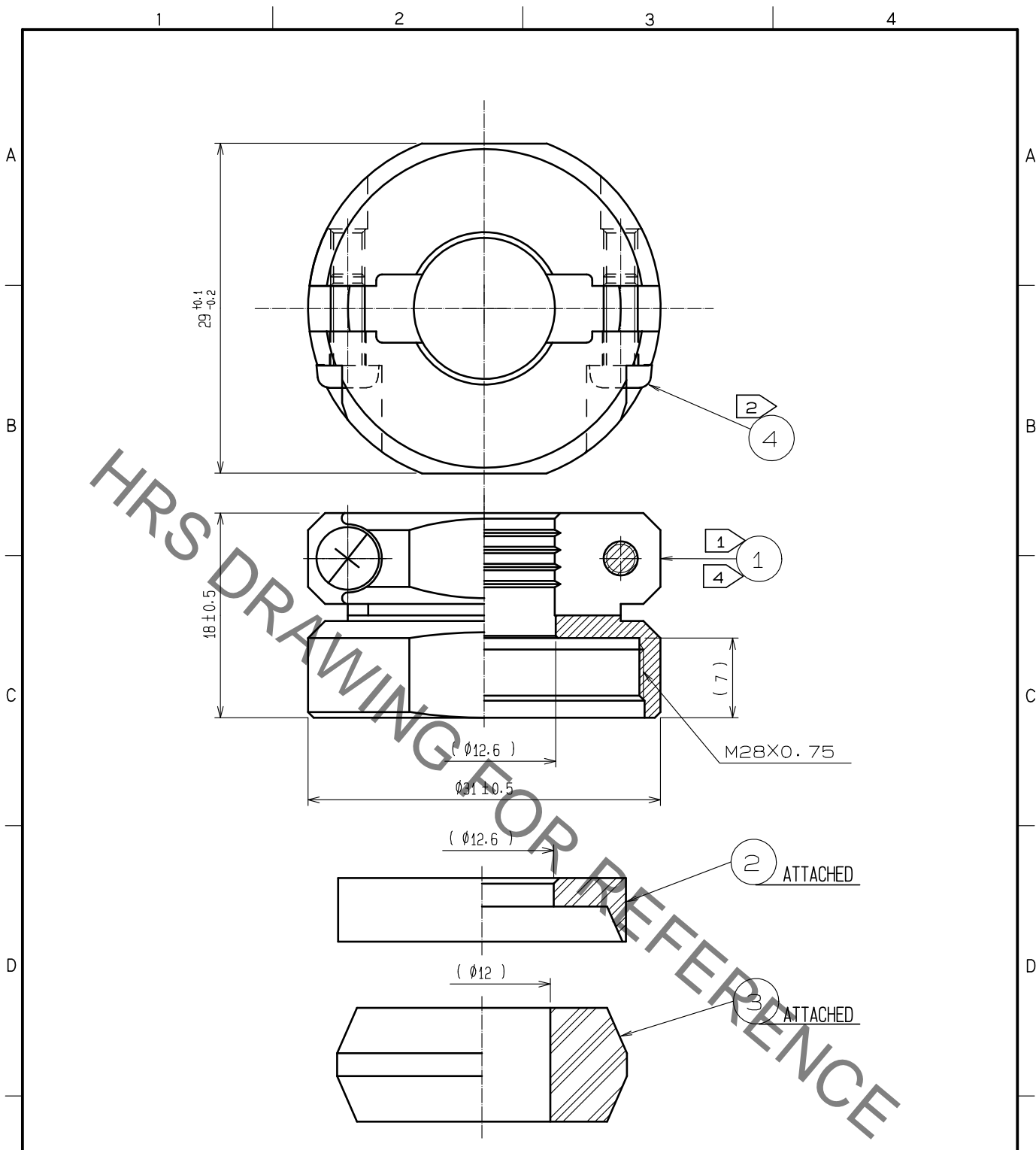


Jan.1.2022 Copyright 2022 HIROSE ELECTRIC CO., LTD. All Rights Reserved.  
In case of consideration for using Automotive equipment / device which demand high reliability, kindly contact our sales window correspondents.



NOTE ① THE RECOMMENDED CLAMP TORQUE OF REF.NO. ① TO BE 5 TO 5.5 N ·m.  
 LOCTITE 263·HENKEL JAPAN OR EQUIVALENT IS RECOMMENDED TO PREVENT REF.NO. ① FROM LOOSENING.  
 ② THE RECOMMENDED CLAMP TORQUE OF REF.NO. ④ TO BE 0.65 TO 0.7 N ·m.  
 ③ THE CABLE PULL AND TWISTING STRENGTH AND OTHER CHARACTERISTICS MAY DIFFER, DEPENDING ON THE CABLE STRUCTURE. PLEASE CONFIRM BEFORE THE USE.  
 ④ PORE SHOWN ON THE SURFACE OF REF NO. ① COMPONENT, GENERATED BY THE PROCESS OF MACHINING AFTER DIE-CASTING, WILL NOT AFFECT PERFORMANCE.

2	POLYPHENYLENE SULFIDE (BLACK)	UL94V-0	4	STAINLESS STEEL	M3×0.5×8
1	ZINC ALLOY	BLACK CHROME PLATING	3	ACRYLONITRILE BUTADIENE RUBBER (GRAY)	
NO.	MATERIAL	FINISH . REMARKS	NO.	MATERIAL	FINISH . REMARKS

UNITS mm		SCALE 2 : 1	COUNT 	DESCRIPTION OF REVISIONS	DESIGNED	CHECKED	DATE
<b>HRS</b> HIROSE ELECTRIC CO., LTD.		APPROVED :HY. KOBAYASHI	18. 02. 26	DRAWING NO.	EDC-110615-31-00		
		CHECKED :HY. KOBAYASHI	18. 02. 26	PART NO.	JR25WCC-12(31)		
		DESIGNED :TH. KAMEYA	18. 02. 23	CODE NO.	CL114-2065-8-31		
		DRAWN :MK. INOUE	18. 02. 14		1/1		

# Mouser Electronics

Authorized Distributor

Click to View Pricing, Inventory, Delivery & Lifecycle Information:

[Hirose Electric:](#)

[JR25WCC-12\(31\)](#)