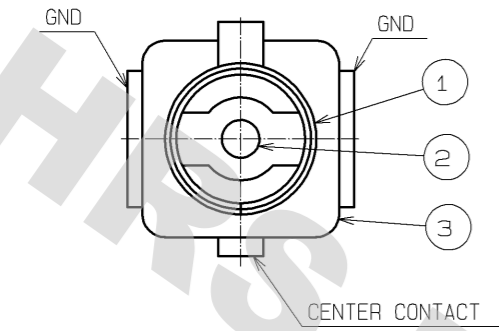
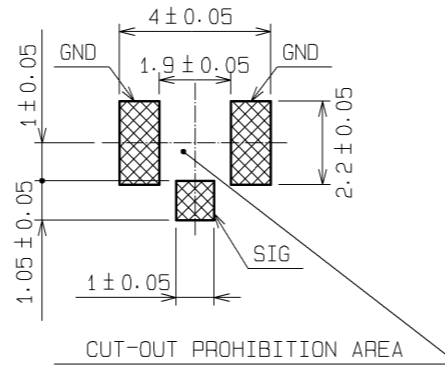


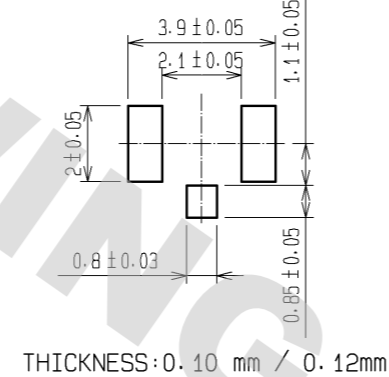
DRAWING FOR REFERENCE: This is subject to change without notice  
08/11/2012



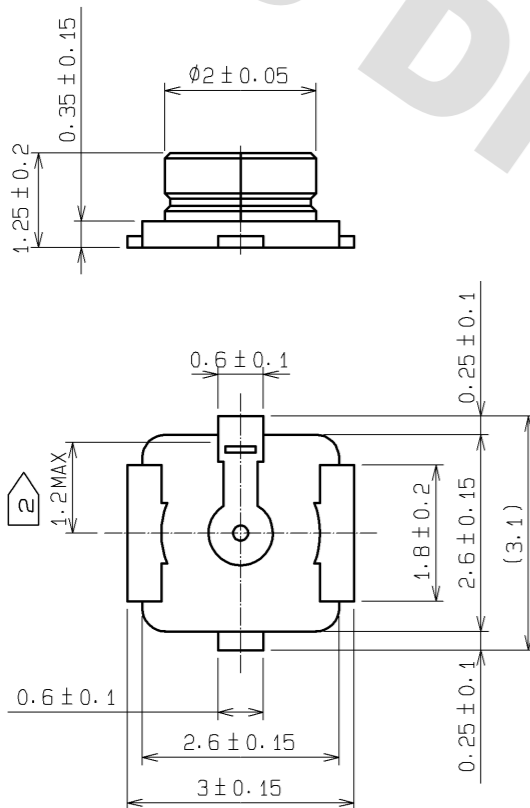
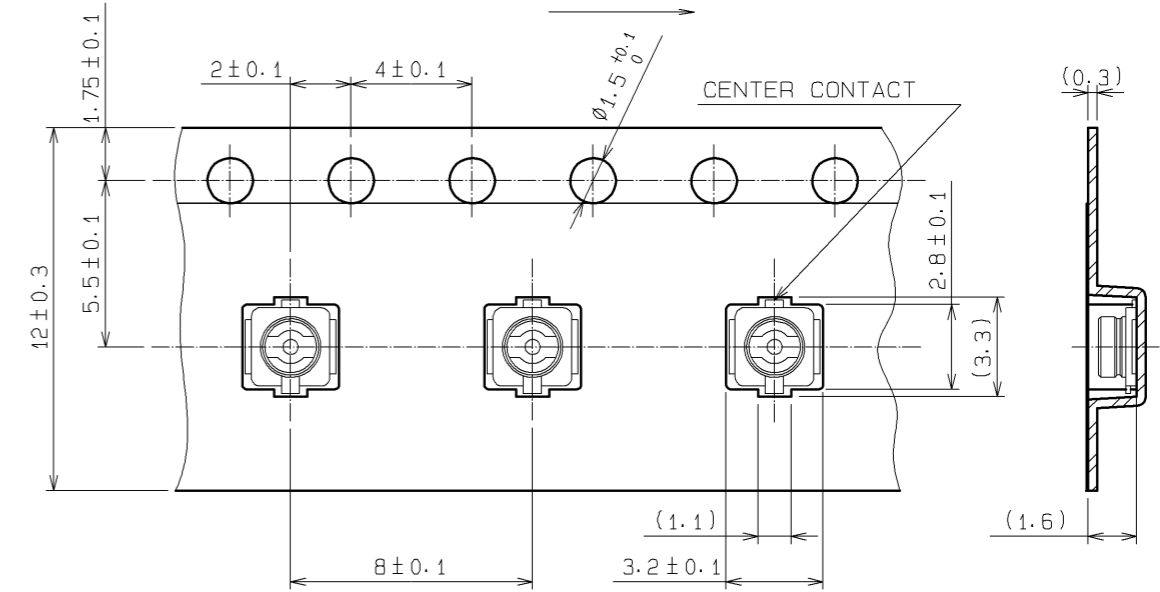
RECOMMENDED PC BOARD PATTERN DRAWING (5:1)



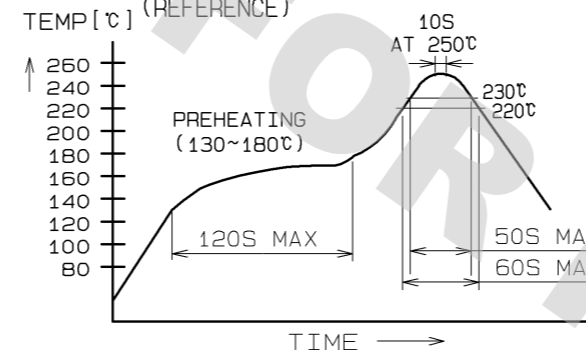
RECOMMENDED METAL MASK DRAWING (5:1)



ENBOSSED TAPING DRAWING (4:1)  
DIRECTION OF UNREELING

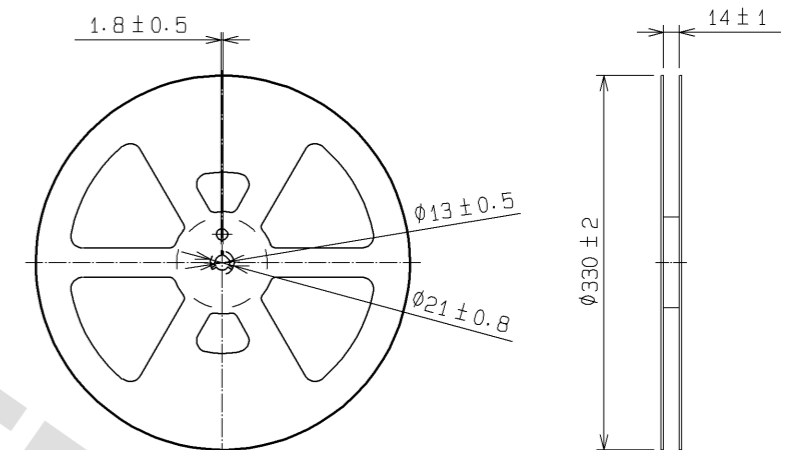


MOUNTING TEMPERATURE PROFILE (REFERENCE)



NOTE  
MOUNTING TEMPERATURE PROFILE VARIES ACCORDING TO BOARD SIZE, SOLDER TYPE APPLIED AND SOLDER THICKNESS.  
·METAL MASK THICKNESS: 0.10 mm / 0.12mm  
·Up to 2 cycles of Reflow.

REEL DRAWING (SCALE FREE)



MATERIAL : PS (BLACK)

NOTES:

- ①: THE QUANTITY OF U.FL-R-SMT-1(40) IS 4000 CONNECTORS PER REEL.
- ②: THIS DIMENSION SHOWS THE ALLOWABLE RANGE THAT THE RESIN IS PUT OVER THE CENTER CONTACT.
- ③: LEAD CO-PLANARITY SHALL BE 0.1MAX.
- ④: FOR THE POSSIBILITY OF BREAKAGE OR DEFORMATION, DO NOT MATE THIS CONNECTOR WITH PARTNER, U.FL-LP-\*\*\* BEFORE MOUNTING ON PC BOARD.
- ⑤: USE ALL PRODUCTS WITHIN 6 MONTHS AFTER THE DELIVERY. STORE THEM IN MANUFACTURER'S PACKAGE OR TIGHTLY RE-CLOSED BOX WITH THE FOLLOWING CONDITIONS. CHECK THE TERMINAL SOLDERABILITY BEFORE USE IF THE PRODUCT HAS BEEN STORED FOR MORE THAN 6 MONTHS.  
TEMPERATURE: -10°C TO +40°C  
HUMIDITY : 15 TO 85% RH.
- ⑥: ENVIRONMENTAL CONDITIONS DO NOT USE THE PRODUCTS UNDER THE ENVIRONMENTAL CONDITIONS AS SHOWN BELOW DUE TO POSSIBLE PRODUCT DETERIORATION.  
SPECIAL GAS ATMOSPHERE (HYDROGEN SULFIDE GAS, SULFUR SULFIDE GAS AND HYDROGEN CHLORIDE GAS)  
PLACE ATTENTION REQUIRED: HEATING SYSTEM, AREA NEAR HOT SPRING, VOLCANIC MOUNTAIN AND ALIKE.  
WATER SPLASHED AND CONDENSATION PLACES.  
PLACE ATTENTION REQUIRED: HARSH TEMPERATURE CHANGE.

|                        |                 |                 |                         |                            |                  |              |          |
|------------------------|-----------------|-----------------|-------------------------|----------------------------|------------------|--------------|----------|
| 2                      | BRASS           | GOLD PLATING    | ④ 4000 PCS/PLASTIC REEL |                            |                  |              |          |
| 1                      | PHOSPHOR BRONZE | SILVER PLATING  | 3                       | LCP                        | (BEIGE), UL94V-0 |              |          |
| NO.                    | MATERIAL        | FINISH, REMARKS | NO.                     | MATERIAL                   | FINISH, REMARKS  |              |          |
| UNITS                  | mm              | SCALE           | COUNT                   | DESCRIPTION OF REVISIONS   | DESIGNED         | CHECKED      | DATE     |
|                        |                 | 10:1            | 2                       | DIS-D-001378               | YI. FUNADA       | NK. NINOMIYA | 09.03.12 |
| APPROVED: IJ. MITANI   |                 | 06.11.17        |                         | DRAWING NO. EDC3-302540-40 |                  |              |          |
| CHECKED: IJ. MITANI    |                 | 06.11.17        |                         | PART NO. U.FL-R-SMT-1(40)  |                  |              |          |
| DESIGNED: NK. NINOMIYA |                 | 06.11.17        |                         | CODE NO. CL331-0472-2-40   |                  |              |          |
| DRAWN: NK. NINOMIYA    |                 | 06.11.17        |                         |                            |                  |              |          |

# Mouser Electronics

Authorized Distributor

Click to View Pricing, Inventory, Delivery & Lifecycle Information:

[Hirose Electric:](#)

[U.FL-R-SMT-1\(40\)](#)